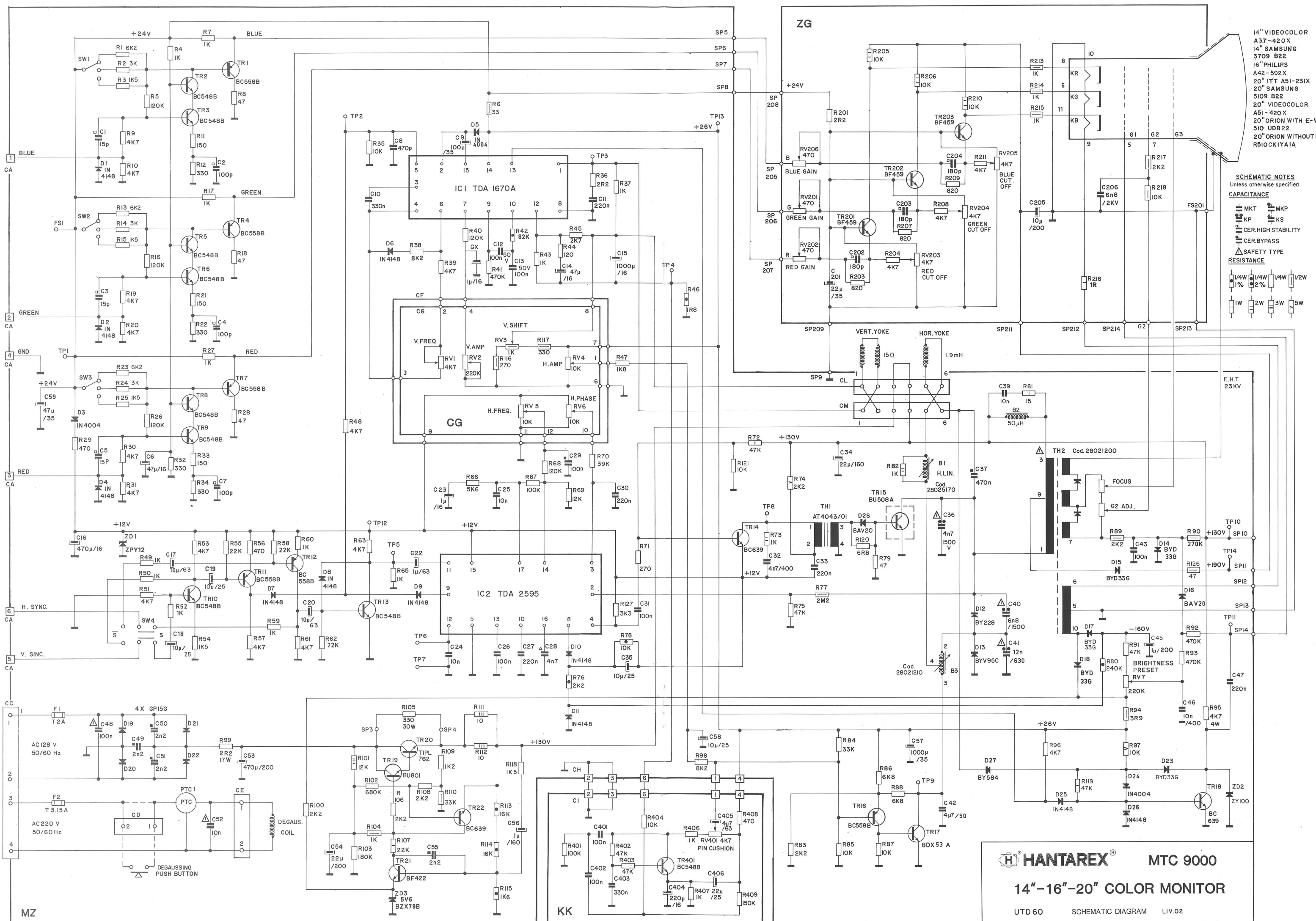




MTC 9000

SCHEMA ELETTRICO



- 14" VIDEOCOLOR
A37-420X
14" SAMSUNG
3709 B22
16" PHILIPS
A42-592X
20" ITT A51-231X
20" SAMSUNG
5109 B22
20" VIDEOCOLOR
A51-420X
20" ORION WITH E-W
510 UDB22
20" ORION WITHOUT E-W
R510CK1YA1A

SCHEMATIC NOTES
Unless otherwise specified

CAPACITANCE

- MKT MKP
- KP KS
- CER. HIGH STABILITY
- CER. BYPASS

RESISTANCE

- 1/4W 1% 1/4W 2% 1/4W 1/2W
- 1W 2W 3W 5W

HANTAREX® MTC 9000
14"-16"-20" COLOR MONITOR
UTD 60 SCHEMATIC DIAGRAM LIV.02