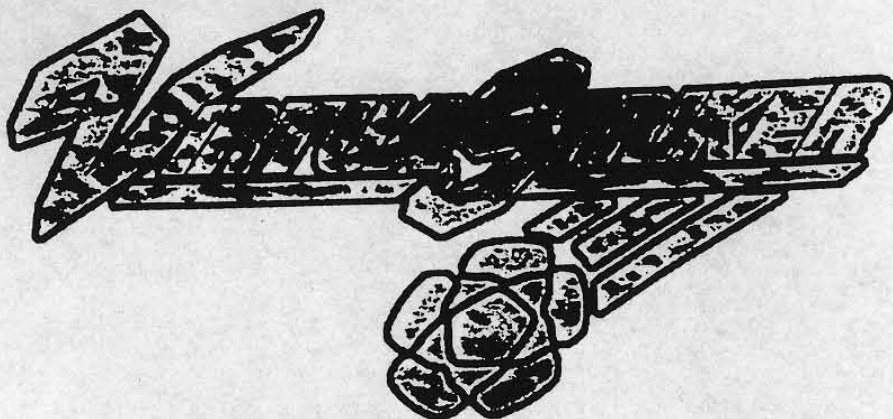
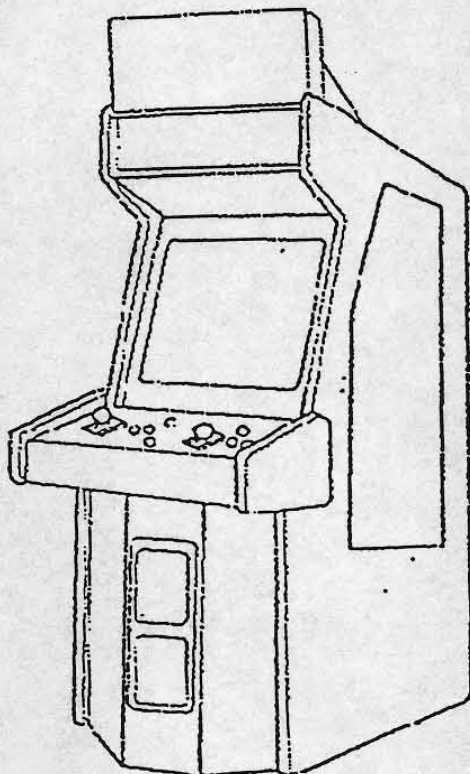


Virtua Striker

SEGA™



KIT UPRIGHT CABINET SUPPLEMENT



SEGA ENTERPRISES, INC.(USA)

SUPPLEMENT TO MANUAL NO. 999-C



Virtua Striker Upright Kit

The following supplement to the Virtua Striker Upright Manual as pertains to the Virtua Striker kit. This supplement contains important information regarding the installation, assembly and use of the Virtua Striker Upright kit, and should be read in its entirety prior to beginning work on the machine. For further information regarding the Virtua Striker Upright game, please refer to game manual number 999-0471.

System Requirements:

Power Supply

- Input voltage 90 VAC to 135 VAC 60Hz
- +5 volts at 10 amps minimum
- +12 volts at 2 amps
- Adjust +5 vdc to 5.10 vdc max at main pcb

Miscellaneous

- | | |
|-------------------------|---|
| Audio Amp: | 4 amp 120 VAC |
| Speaker: | 8 ohms 10 Watt |
| On/Off Switch: | 6 amp 120 VAC |
| Coin Door: | Dual Coin Acceptors |
| Coin Meter: | +5 Volt DC |
| Power Cord: | Three Conductor with ground |
| Mid- Res Color Monitor: | <ul style="list-style-type: none">• Video input 1 volt to 5 volt peak to peak positive polarity• Sync TTL negative polarity separate horizontal and vertical• Horizontal frequency 24K• Vertical frequency 60Hz• Video bandwidth 12 MHz or greater• Horizontal mounted• Recommended size 25-29 inch |
| Control Panel: | Clear acrylic protective cover (Not supplied with kit) |
| Service Controls: | 5K pot (volume control)
SP ST switch, 2 per game (test/service switch) |

Tools Required

- Drill
- Hole Cutter 1-3/16"
- Phillips screw driver
- Flat blade screw driver
- Small flat blade screw driver
- Scissors
- Sand paper
- Paint
- X-acto knife
- Wood patch .

Cabinet Preparation

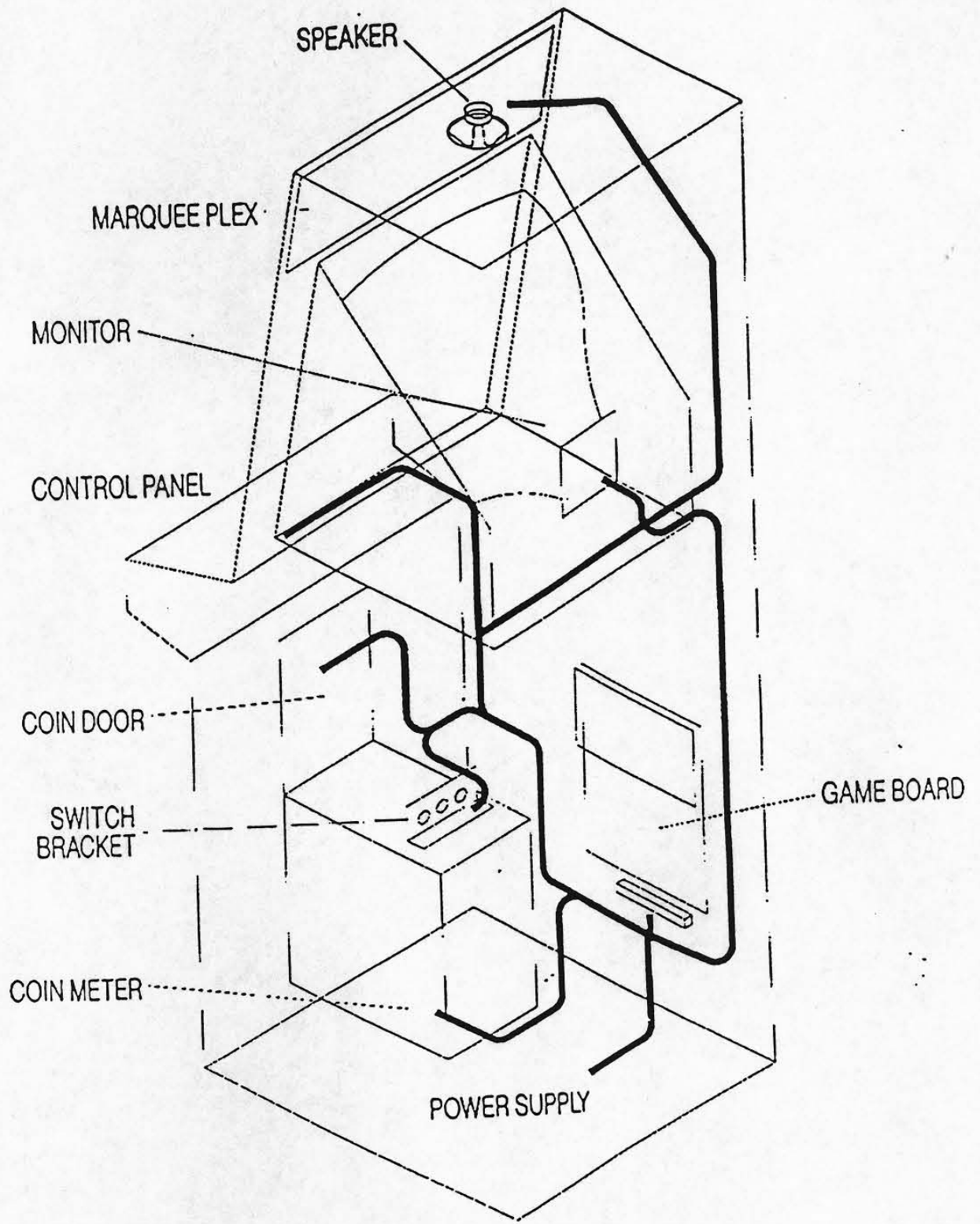
1. Remove old PCB and all existing harnesses.
2. Remove and disassemble the control panel.
3. Remove any side decals, monitor bezel and marquee.
4. Using sandpaper and/or paint thinner, clean and smooth the cabinet for paint preparation. Use wood patch to fill any nicks or flaws in the cabinet.
5. Paint cabinet as required.
6. Wipe down and vacuum the interior of the cabinet as needed.

Virtua Striker Kit- Contents Checklist

1 ea	Game Board Assembly	610-0396-11903	
1 ea	Filter Board Assembly	839-0773	
1 ea	Power Amp Assembly	838-10785-0	
1 ea	Transformer Assembly	4-06-8020	
1 ea	Harness Assembly		
	S121-055-000	Main Harness	1 ea
	S121-057-000	Audio Harness	1 ea
	S121-056-000	Power Cable	1 ea
1 ea.	Graphics Package		
	999-0526	Side Decal L	1 ea
	999-0527	Side Decal R	1 ea
	999-0528	Marquee	1 ea
	999-0529	CPO	1 ea
	999-0521	Play Instructions	1 ea
	999-0530	Button Label	1 ea
1 ea	Bracket Assembly		
	00572	Filter Brackets	2 ea
1 ea	Game Manual	999-0471	
	Service Manual with Supplement for Kit Assembly		

Installation Procedure

- **Side Decals**
Locate Virtua Striker side decals, 999-0526 (L) and 999-0527 (R). Install on the left and right sides of the cabinet. A mixture of slightly soapy water can be used on the cabinet to position the artwork as desired. A squeegee may be used to remove any wrinkles in the artwork if soapy water is used.
- **Marquee Decal**
Locate the Virtua Striker marquee 999-0528. Measure the size of the existing marquee plex, and trim decal as needed to fit.
- **Control Panel**
Locate the Virtua Striker control panel overlay 999-0529. Measure the size required and cut the control panel overlay to fit the existing control panel.
Define the location of the player push buttons and/or joysticks on the control panel.
Cut holes in the control panel to locate the buttons and joysticks.
Locate the control panel clear plex and cut holes in the plex to match the holes in the control panel. Trim as required to protect the control panel overlay and labels. This clear plex overlay can also be used to protect unused holes in the control panel from player punctures.
- **Instruction Decal**
Locate the monitor bezel. Install instruction decal onto lower side of bezel.
- **Push Buttons**
Install the "One Player Start" label and the "Two Player Start" label on the control panel overlay. Place the play control button labels on the control panel overlay.
Install the play control buttons on the control panel overlay. Install buttons. When buttons are securely placed and tightened in the control panel assembly, a small amount of clear RTV silicone may be placed on the lock nut to keep the switches from being unscrewed from the top of the control panel.
- **Joystick**
Locate the joysticks.
Install joystick labels on the control panel overlay. The final assembly of the joystick must be performed after the joystick base assembly is mounted on the control panel.
Use the appropriate hardware to secure the joystick base assembly to the control panel. Re-assemble the joystick on the control panel.



SPEAKER

MARQUEE PLEX

MONITOR

CONTROL PANEL

COIN DOOR

SWITCH BRACKET

COIN METER

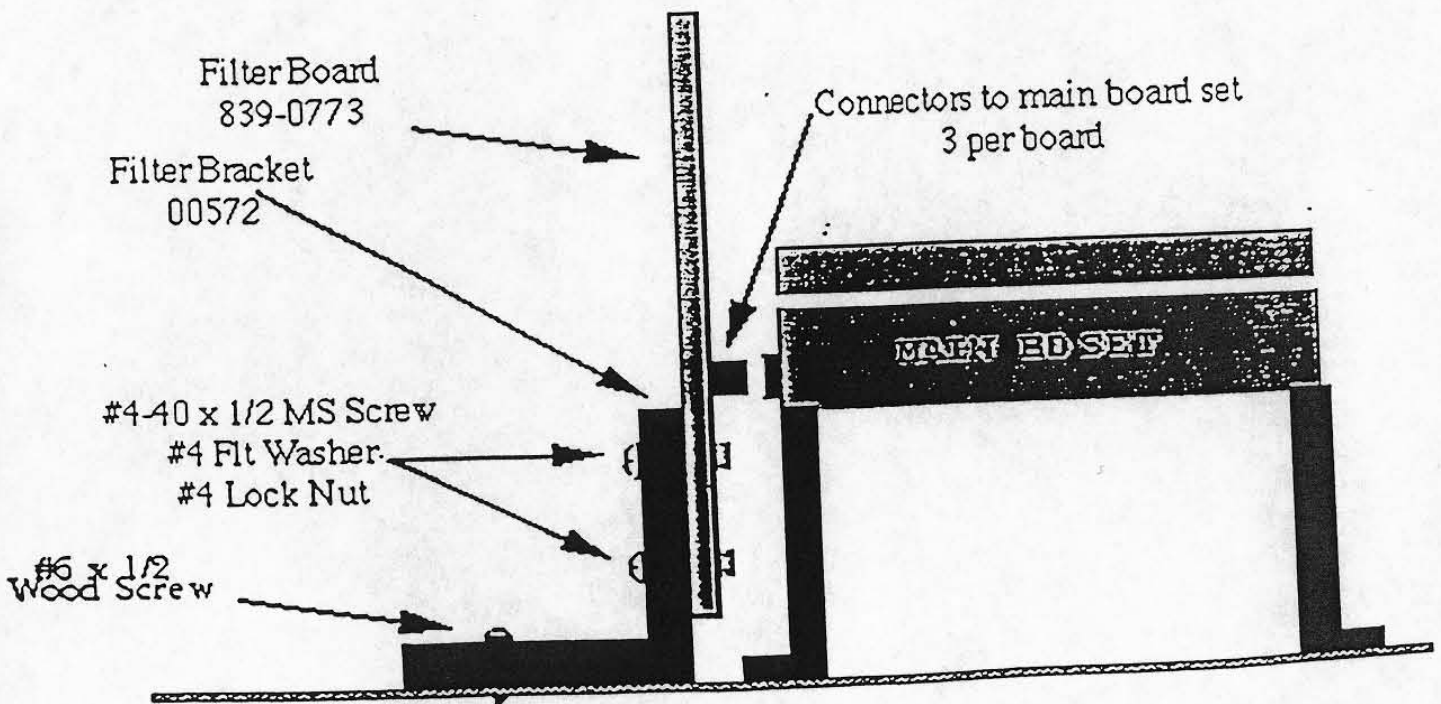
GAME BOARD

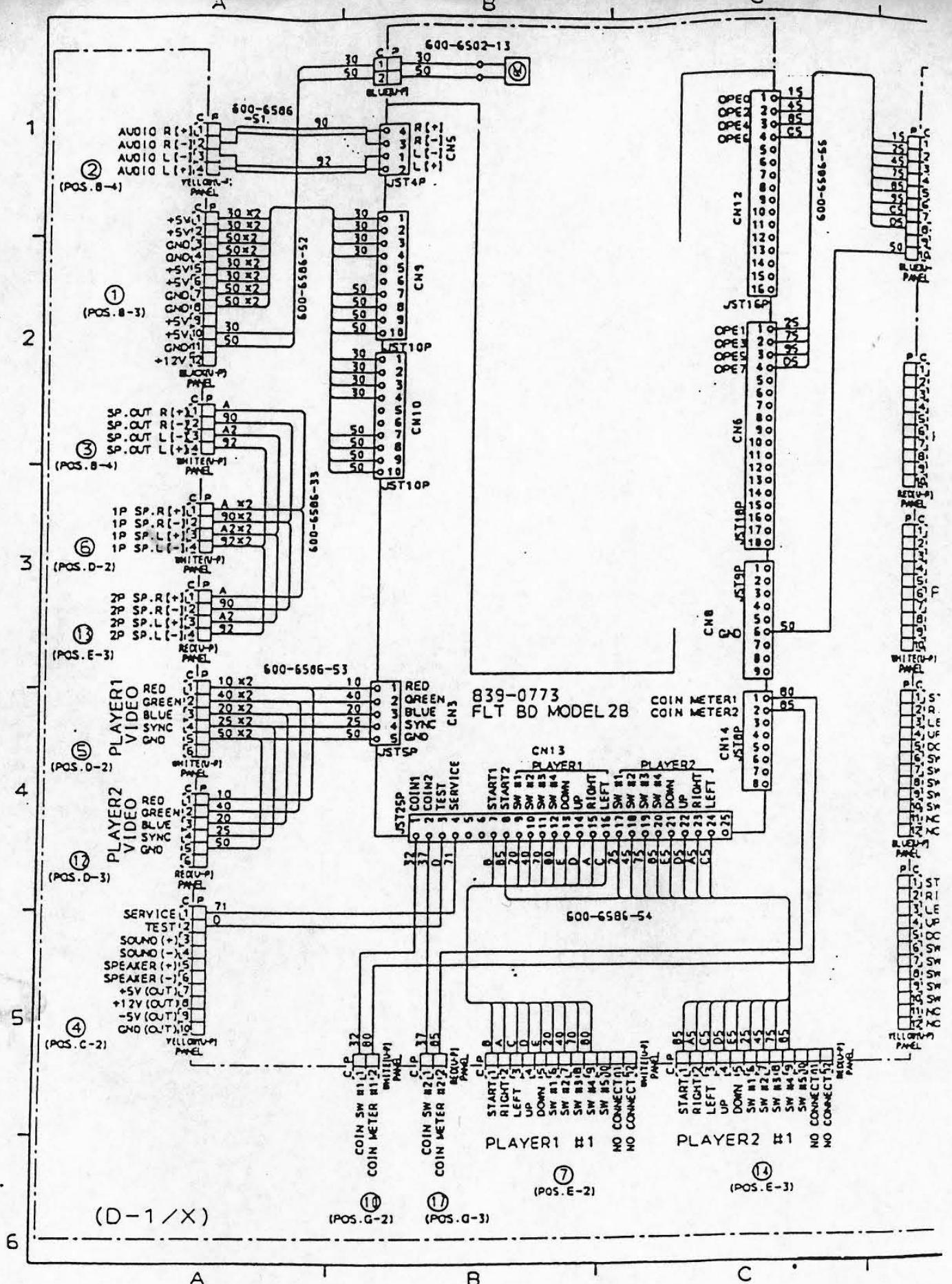
POWER SUPPLY

SUGGESTED HARNESS ROUTING

- Service Switch**
 Locate the service switch bracket (not supplied in kit) and install the two push button SPST switch momentary into bracket if needed.
 Locate volume control 5k pot (not supplied in kit) and install into service switch bracket if needed.
 Locate "Test, Service, Volume" sticker (not supplied in kit) and place on the service switch bracket if needed.
 Wire per wiring diagram for Virtua Striker Kit.
- Harnessing**
 Locate the CG harness and install as shown on the diagram provided.
 Connect harnessing to the power supply as follows:
 Twisted yellow wires to +5 volt source.
 Twisted red wires to +12 volt source.
 Twisted white wires to GND source.
 Connect harnessing to the coin door and coin meter per the wiring diagram.
 Connect the harness to the control panel as per the wiring diagram.
- CG Board Assembly**
 Locate filter board (839-0773) and main board (610-0396-11903), brackets (00572) and mounting hardware (not supplied in kit). Assemble per the figure below. Connect harnessing to the CG filter board assembly per wiring diagram.
- Speakers**
 Connect the routed speaker wires to the speakers.

Conversion is complete! Refer to service manual 999-0471 for instructions on testing and operation of the game.



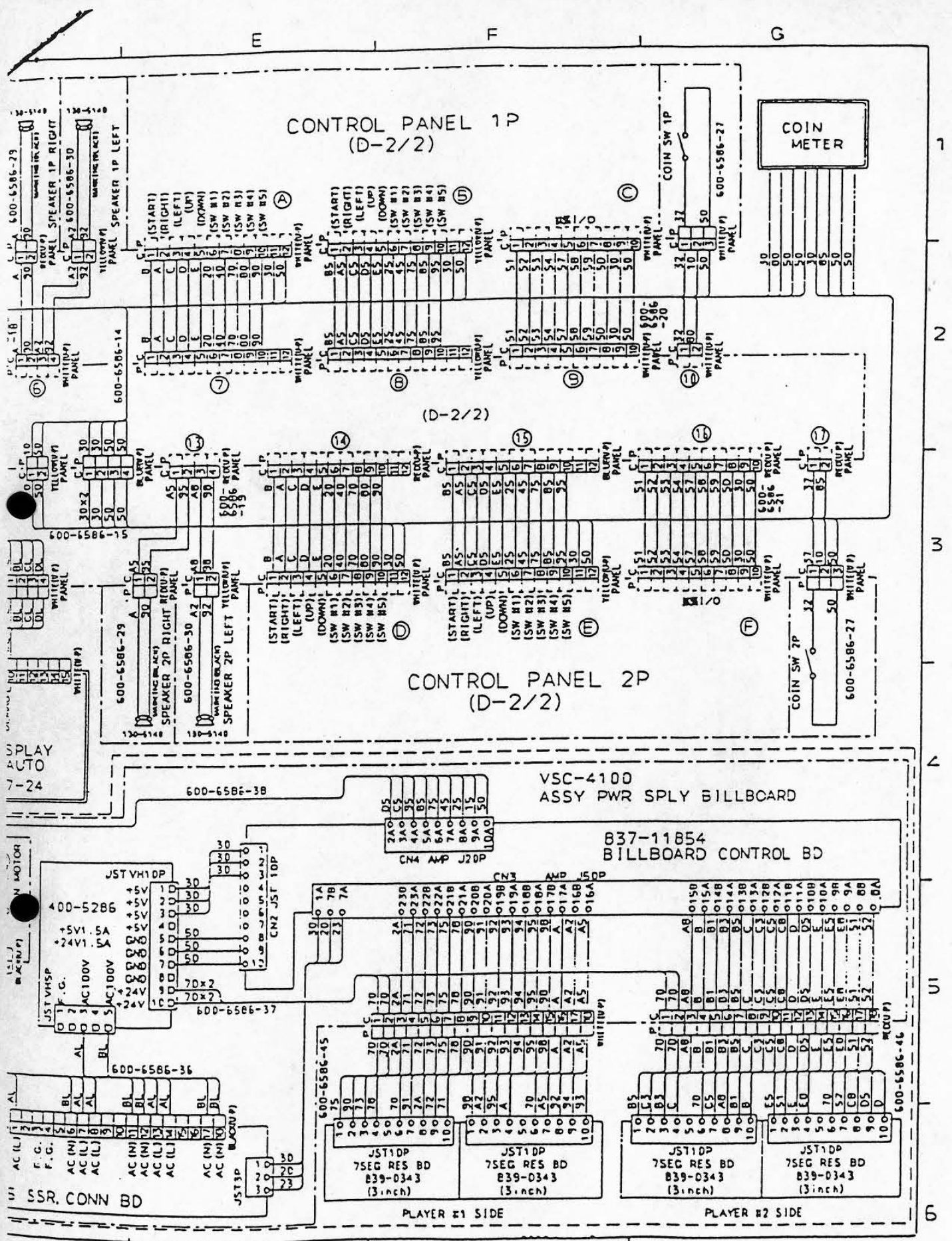


(D-1/X)

(POS. G-2) (POS. G-3)

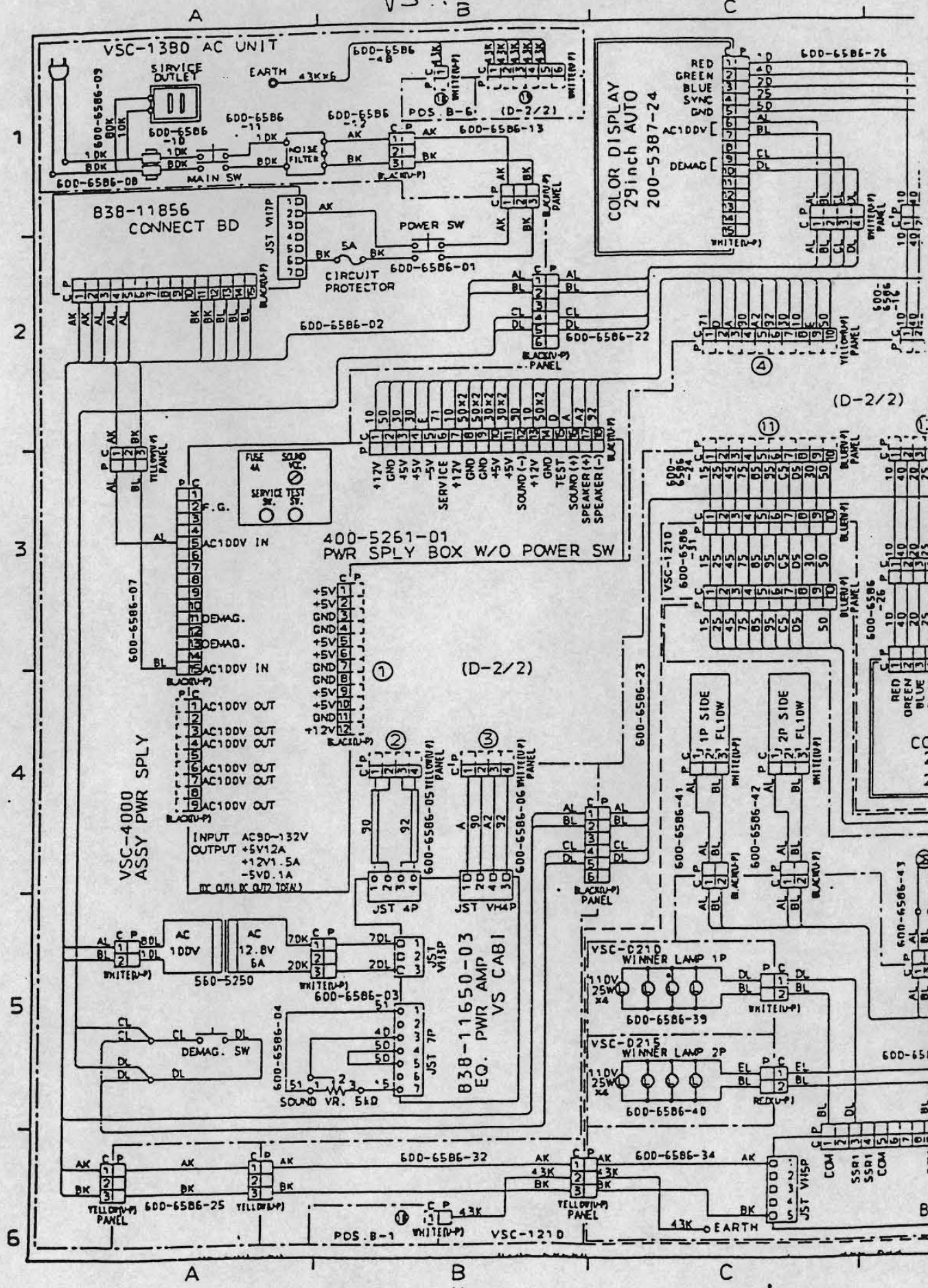
(POS. E-2)

(POS. E-3)

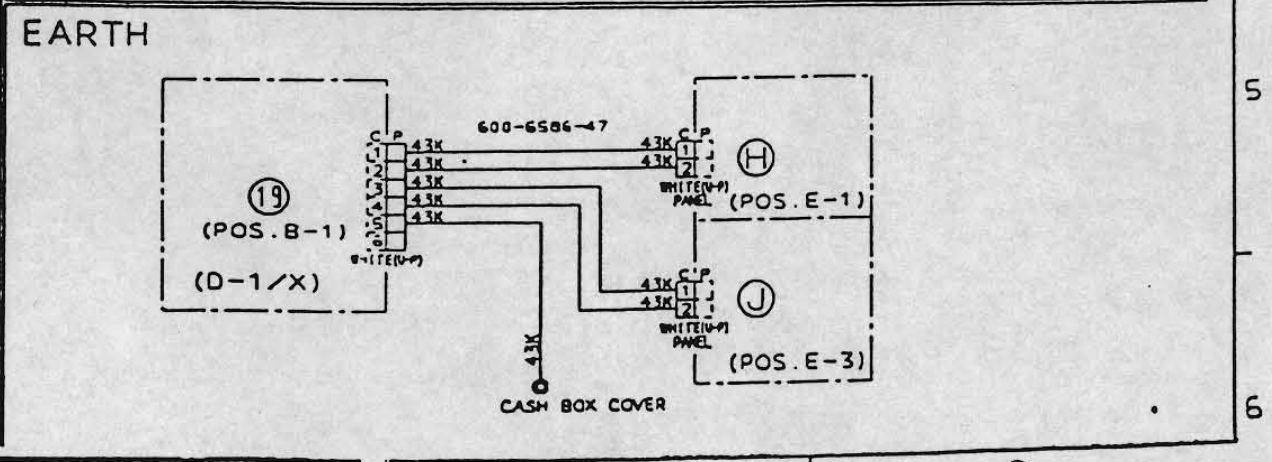
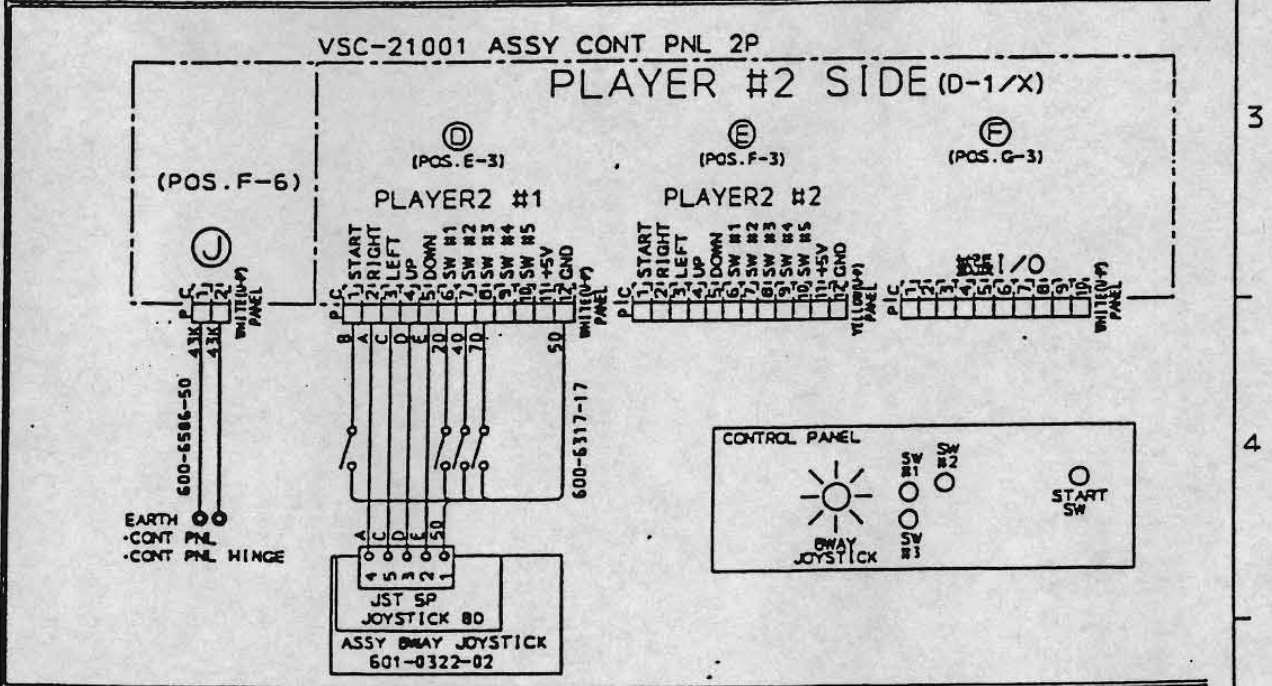
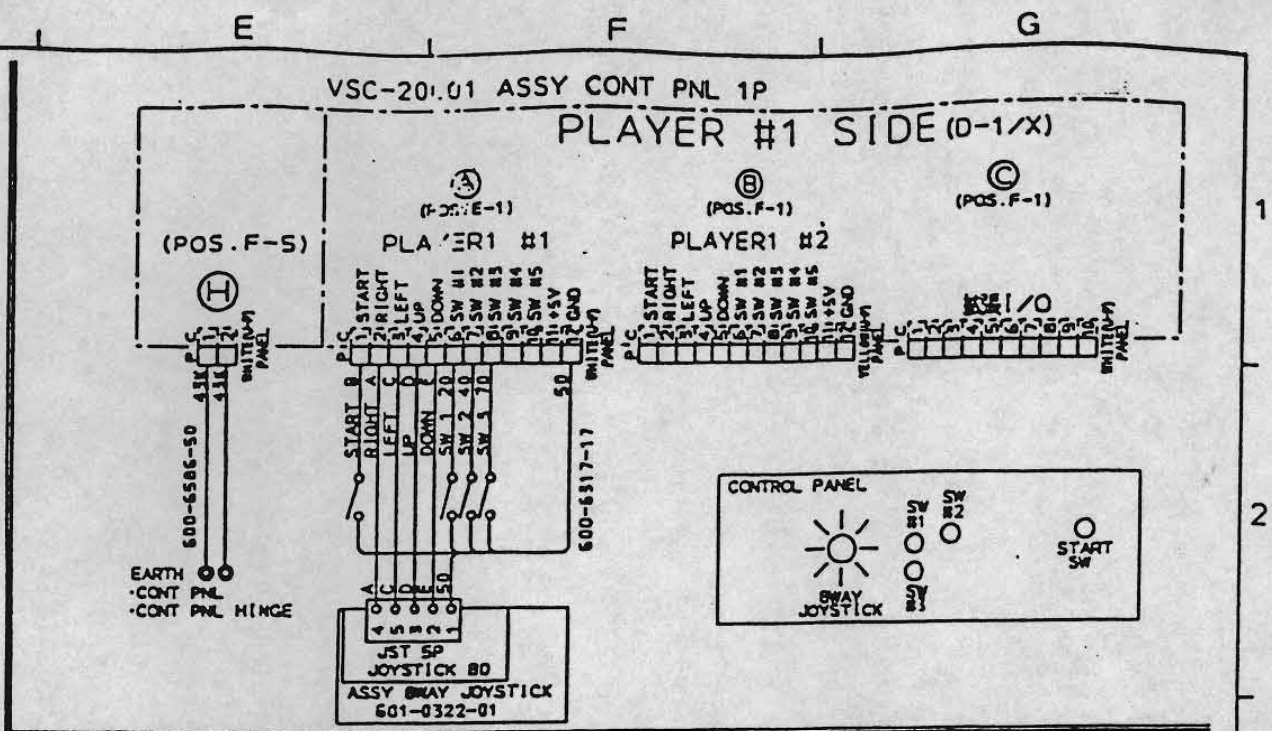


7-15-71
8. 総合配線図 (D-1/2)

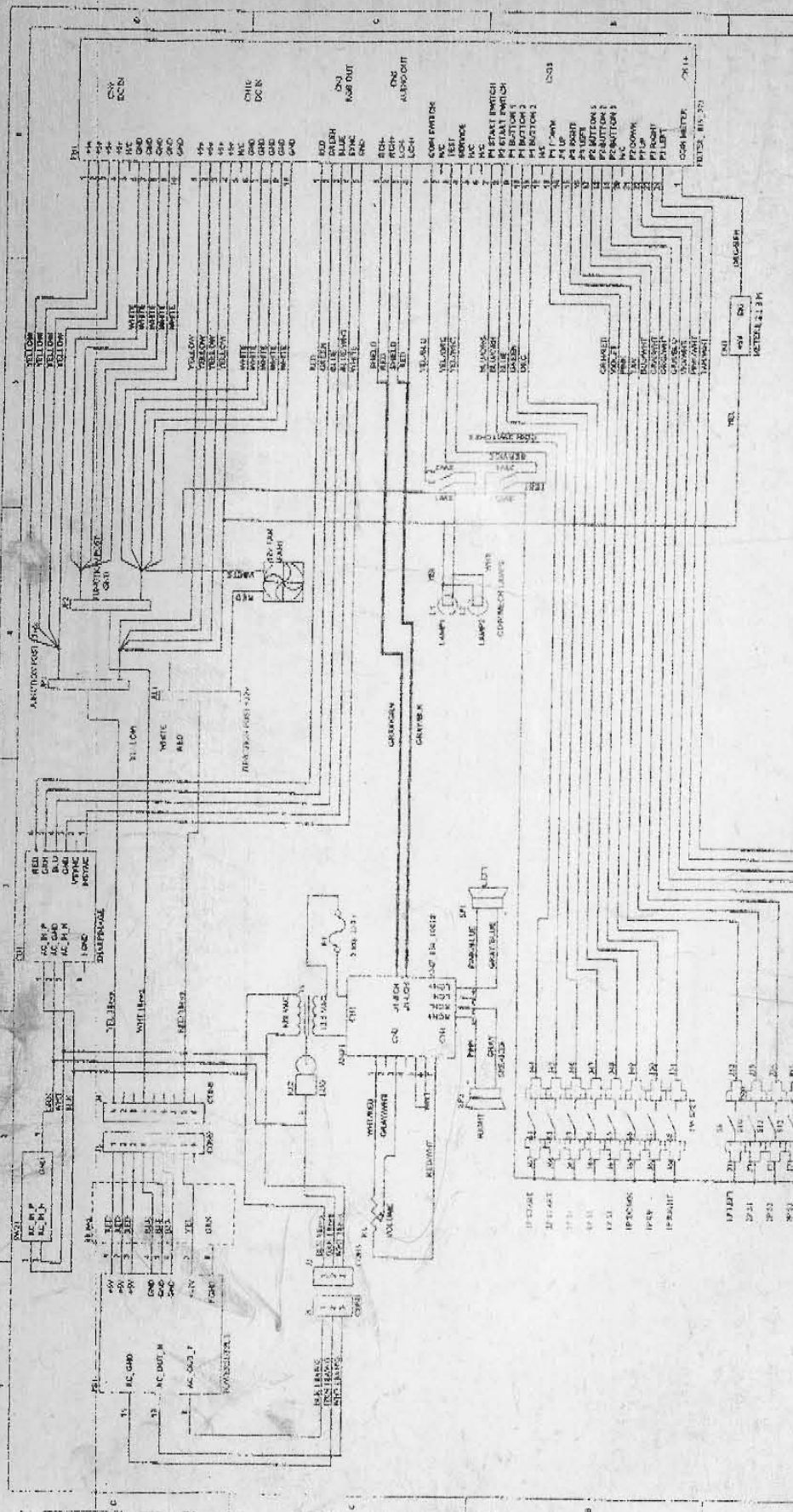
VS



BOARD 00
BOARD 01
BOARD 02
BOARD 03
BOARD 04
BOARD 05
BOARD 06
BOARD 07



7. プレイヤー・パネルの
8. 総合配線図 (D-2/2)



SEGA

SCHMATIC, V. STRIKER D/R

Rev. A
Date 3-29-86
By Y STRIKER/SCH

Rev. A
Date 10/1
By