

STRATOVOX

OPERATOR'S MANUAL AND PARTS LIST



TAITO AMERICA CORPORATION

1256 Estes Avenue, Elk Grove Village, IL 60007

960032

1. NAME OF PART (SEE FIG. 1 AND 2)

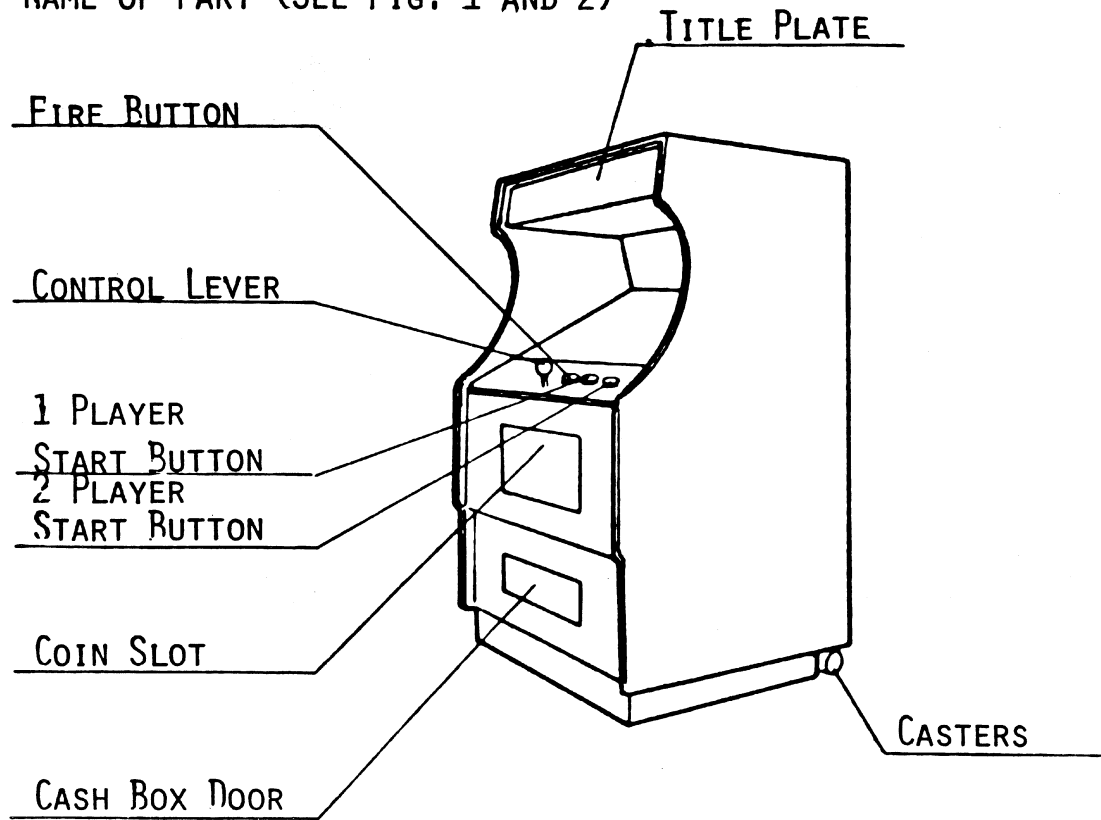


FIG. 1

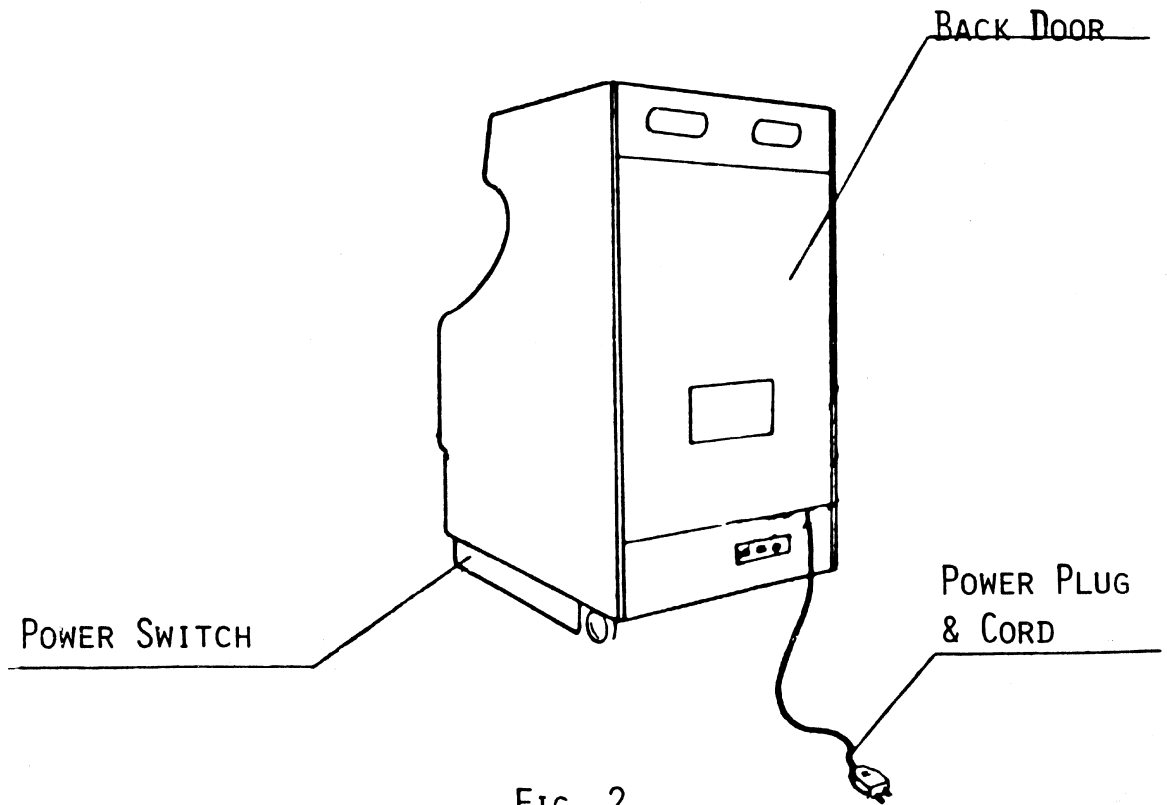
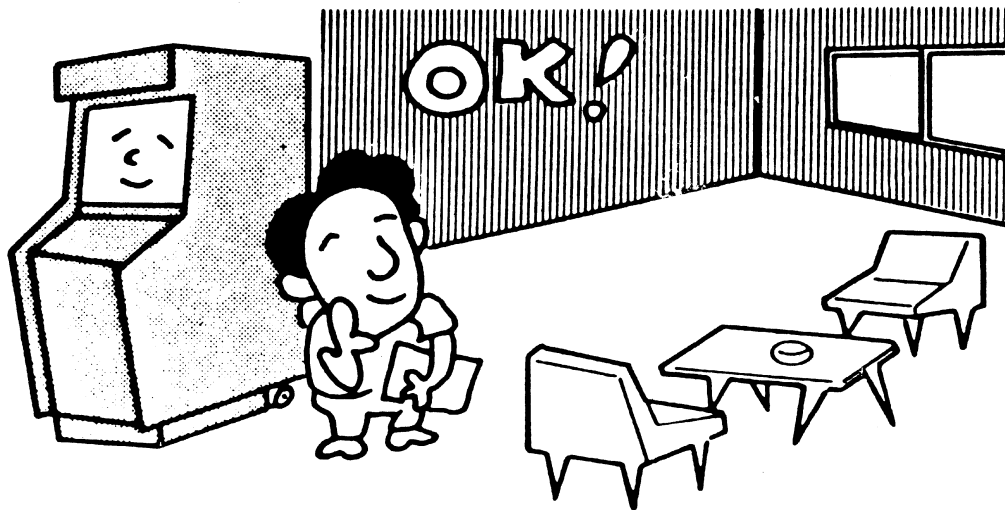


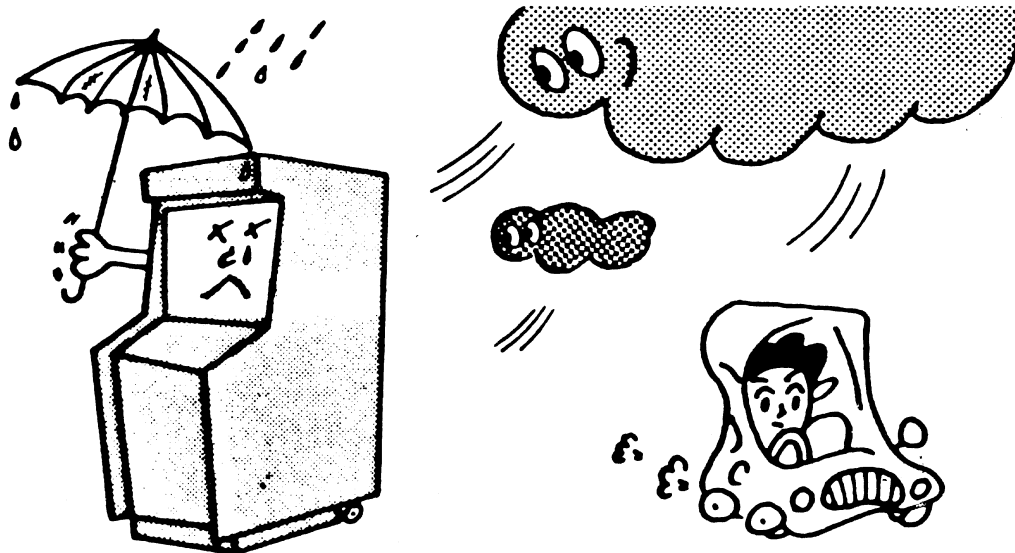
FIG. 2

2. TRANSPORTATION AND INSTALLATION

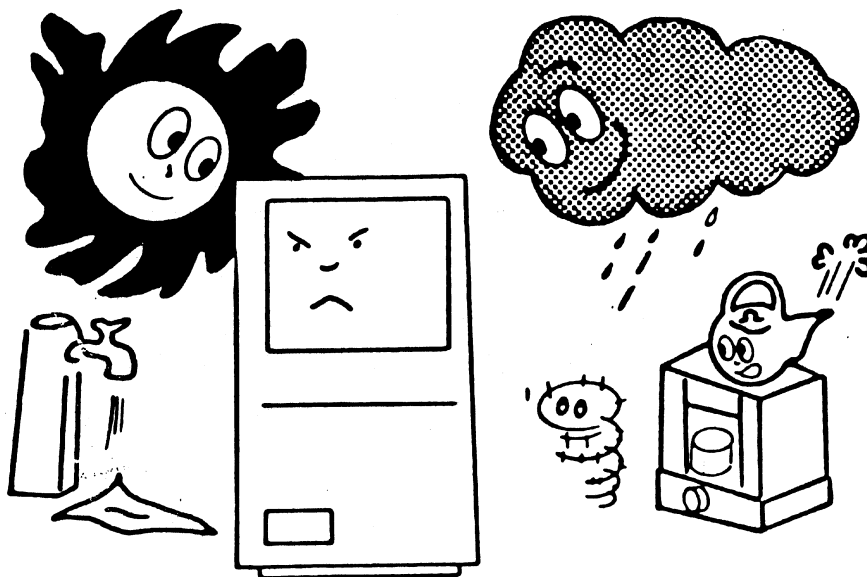
- * AVOID ROUGH HANDLING IN TRANSPORTATION; THE PICTURE TUBE IS FRAGILE.
- * TAITO "STRATOVOKX" IS FOR INDOOR USE.
- * INSTALL THE MACHINE INDOORS ONLY.



- * DO NOT INSTALL THE MACHINE OUTDOORS.

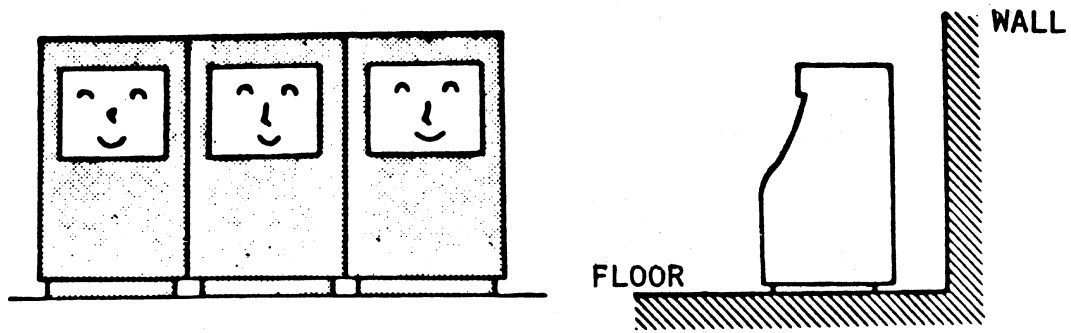


- * DO NOT INSTALL THE MACHINE IN A LOCATION WITH EXPOSURE TO DIRECT SUNLIGHT OR EXCESSIVE HEAT IN ORDER TO PREVENT THE UNIT FROM A RISING INTERNAL TEMPERATURE. ALSO, DO NOT INSTALL THE MACHINE IN A HUMID OR DUSTY PLACE.

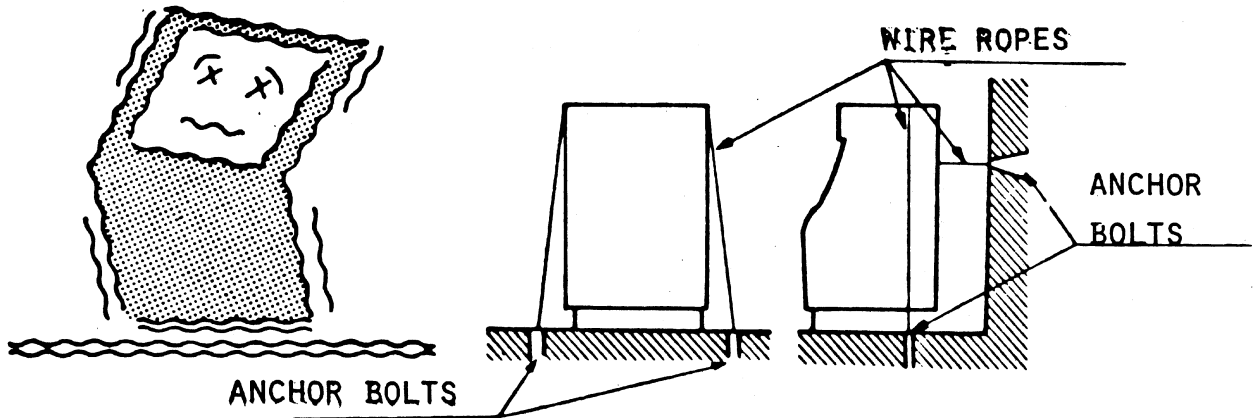


- * CONNECTIONS MAY LOOSEN DURING TRANSPORTATION. ENSURE ALL CONNECTIONS TO THE PCB'S AND THE CONNECTORS ARE SECURE BEFORE PLUGGING IN.
- * NEVER FAIL TO CONNECT THE GROUND TERMINAL.
- * INSERT THE POWER PLUG INTO A PROPER OUTLET AND TURN THE POWER SWITCH ON.
- * IN CASE THE MACHINE DOES NOT WORK PROPERLY AFTER THE POWER SWITCH HAS BEEN TURNED ON, MAKE SURE THAT THE VOLTAGE IS PROPER IN EACH OUTPUT LINE. (SEE "ADJUSTMENTS ON SWITCHING REGULATOR PC BOARD ON PAGE 7 OF THIS MANUAL,)

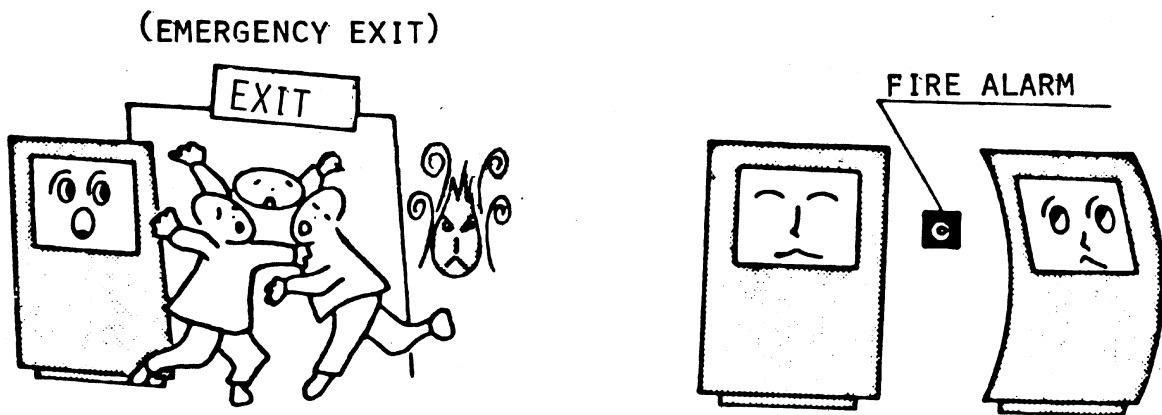
- * INSTALL THE MACHINE ON A FLAT-SURFACED FLOOR AND PROVIDE SUITABLE SPACE IN FRONT OF THE MACHINE.



- * IN CASE OF INSTALLATION IN A LOCATION WITH VIBRATION, FIX THE MACHINE BY THE USE OF ANCHOR BOLTS AND WIRE ROPES AS SHOWN BELOW.



- * TO PREVENT A POSSIBLE DISASTER, DO NOT INSTALL IN DANGEROUS PLACES.



3. HANDLING NOTE AND WARNING

NOTE:

- * ERRONEOUS PICTURE MAY APPEAR ON THE SCREEN WHEN THE MACHINE IS FIRST SWITCHED ON. THIS IS TYPICAL OF THE CPU CIRCUITRY, AND WILL CORRECT ITSELF AUTOMATICALLY WHEN THE POWER SWITCH IS TURNED OFF AND THEN ON.
- * NO PICTURE MAY APPEAR ON THE SCREEN FOR A WHILE WHEN THE MACHINE IS SWITCHED ON AT A SUBZERO TEMPERATURE IN THE LOCATION. THIS IS TYPICAL OF THE SOLID-STATE CIRCUITRY.

WARNING:

- * TAITO "STRATOVox" USES A CPU AND THE LATEST SOLID-STATE CIRCUITRY FOR LONG LIFE, HOWEVER, AS WITH ALL SOPHISTICATED ELECTRONIC EQUIPMENT, CERTAIN PRECAUTIONS MUST BE OBSERVED TO AVOID DAMAGE.

(1) DO NOT ATTEMPT TO SERVICE WITH ORDINARY TESTING EQUIPMENT, SINCE THE INTERNAL VOLTAGE OF THE TESTING EQUIPMENT MAY CAUSE DAMAGE TO THE CIRCUITRY.

(2) NEVER CONNECT OR DISCONNECT ANY OF THE SOLID-STATE MODULES WHILE THE POWER IS ON.

4. ROUTINE MAINTAINANCE.

- * BECAUSE OF THE SOLID-STATE ELECTRONICS, THIS MACHINE SHOULD REQUIRE VERY LITTLE MAINTAINANCE AND ONLY OCCASIONAL ADJUSTMENTS, HOWEVER, IT IS NECESSARY TO TAKE MEASURES TO INSURE ITS SAFETY EVERY DAY.

5. PLAY INSTRUCTIONS

- * INSERT COIN(S).
- * SELECT GAME FOR 1 OR 2 PLAYERS.
- * USE JOYSTICK TO CONTROL YOUR AIM AND SHOOT FLYING SAUCERS.
- * IF YOU HIT A FLYING SAUCER WHICH HAS KIDNAPPED AN ASTRONAUT, YOU SCORE MYSTERY POINTS.
- * THE GAME IS OVER WHEN ALL OF THE ASTRONAUTS HAVE BEEN KIDNAPPED, OR ALL OF THE PHOTON ROCKETS HAVE BEEN DESTROYED.

6. ADJUSTMENTS ON SWITCHING REGULAR PC BOARD

(SEE FIG. 3)

CAUTION: THE LINE VOLTAGES SHOULD BE SET WITHIN THE LIMIT.
FAILURE TO DO SO MAY RESULT IN DESTRUCTION OF THE IC'S.

* TO CHECK THE OUTPUT VOLTAGE, MEASURE THEM ON THE G-CONNECTOR OR THE T-CONNECTOR.

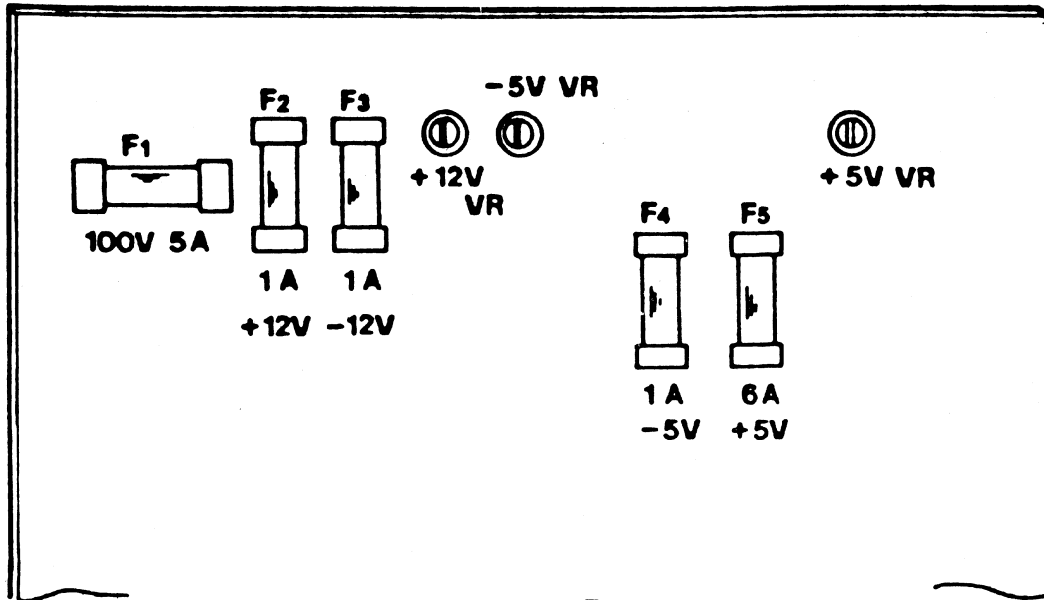


FIG. 3

- * +5V VR ... POT FOR ADJUSTING +5V DC LINE VOLTAGE
(ADJUSTMENT RANGE: +4.5V TO +5.5V DC)
SET APPROX. +5V
- * -5V VR ... POT FOR ADJUSTING -5V DC LINE VOLTAGE
(ADJUSTMENT RANGE: -5.5V TO -4.5V DC)
SET APPROX. -5V
WHEN THE +5V LINE HAS NO LEAD, THE -5V
VOLTAGE IS NOT PRESENT ON THE LINE.
- * +12V VR... POT FOR ADJUSTMENT +12V DC LINE VOLTAGE
(ADJUSTMENT RANGE: +10.8V TO 13.2V DC)
SET APPROX. +12V

7. ADJUSTMENTS ON COLOR VIDEO MONITOR

THE VIDEO MONITOR IS PROPERLY ADJUSTED BEFORE SHIPPING, HOWEVER, IF NECESSARY, READJUST AS FOLLOWS:

CAUTION: CAREFUL ADJUSTMENTS ARE REQUIRED FOR THE HORIZONTAL HOLD AND THE VERTICAL HOLD ADJUSTMENTS.

* HORIZONTAL HOLD

ADJUST THE HORIZONTAL HOLD CONTROL IF THE PICTURE IS WARPED OR BROKEN INTO A DIAGONAL LINE.

* VERTICAL HOLD

ADJUST THE VERTICAL HOLD CONTROL IF THE PICTURE ROLLS VERTICALLY ACROSS THE SCREEN,

* SCREEN BRIGHTNESS

ADJUST THE BRIGHT CONTROL TO KEEP THE SCREEN CLEAR.

* FOCUS ... SCREEN FOCUS CONTROL

* RED, GREEN, AND BLUE ... COLOR CONTROLS

NOTE: COLOR ABERRATION MAY OCCUR DEPENDING ON THE SETTING CONDITION OF THE MACHINE. IN THAT CASE, USE A DEGAUSSING DEVICE. KEEP THE MAGNET AWAY FROM THE SCREEN, OTHERWISE IT MAY RESULT IN COLOR ABERATION.

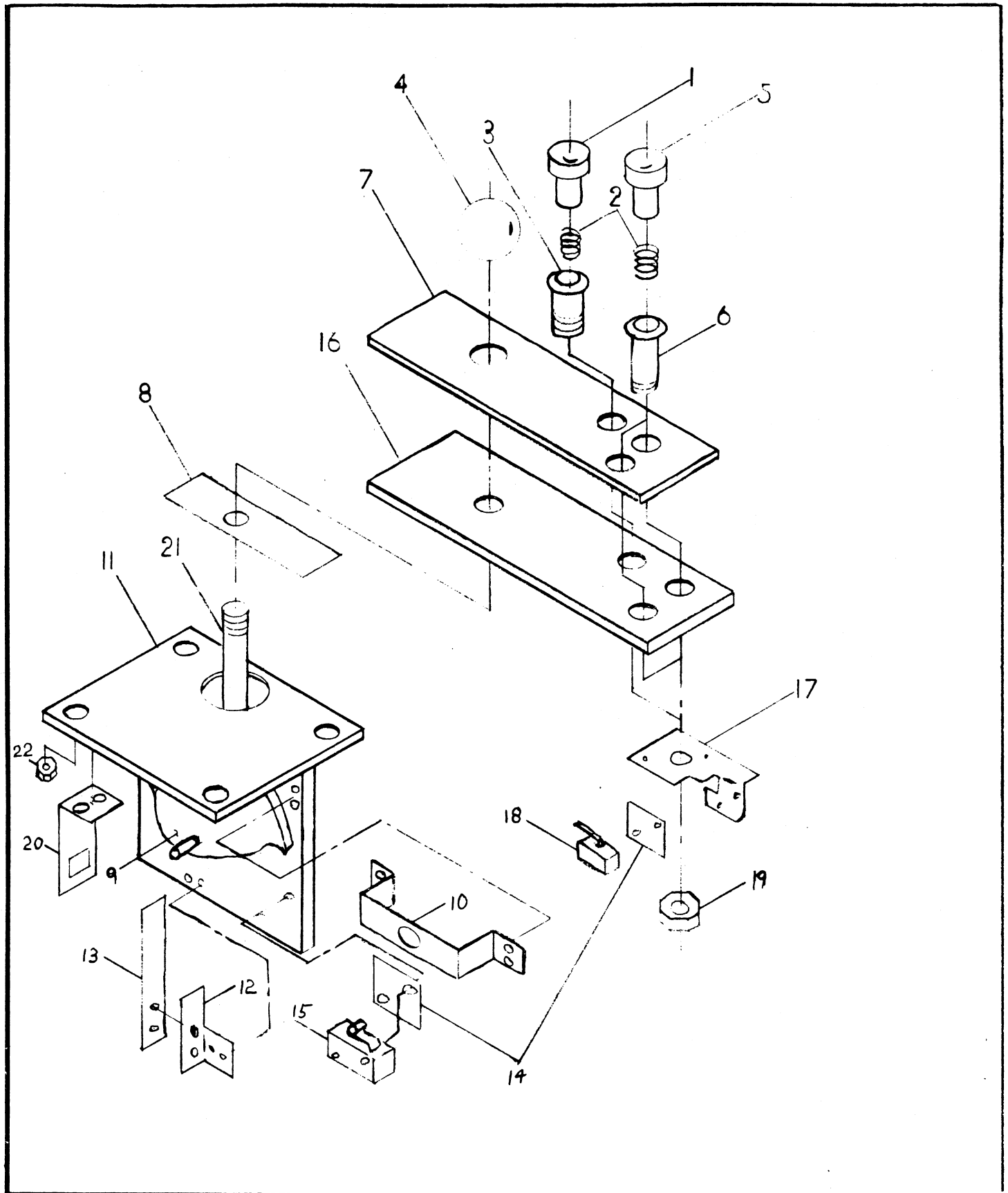
8. TROUBLESHOOTING AND REPAIR

THIS VIDEO GAME CONSISTS OF THE FOLLOWING FOUR UNITS:

- * MONITOR UNIT
- * GAME PC BOARD
- * CONTROL UNIT
- * POWER SUPPLY UNIT

THESE UNITS ARE CONNECTED BY WIRING CABLE, IF ANY OF THE UNITS IS DEFECTIVE, THE GAME WILL NOT NORMALLY FUNCTION, IN CASE OF TROUBLESHOOTING, THEREFORE, THE FIRST THING THAT MUST BE DONE IS TO DETERMINE WHICH UNIT IS DEFECTIVE, IF THE DEFECTIVE UNIT CAN BE IDENTIFIED, CHECK THAT UNIT, BUT IF THAT UNIT IS FOUND TO BE FREE OF DEFECTS, CHECK THE OTHER UNITS.

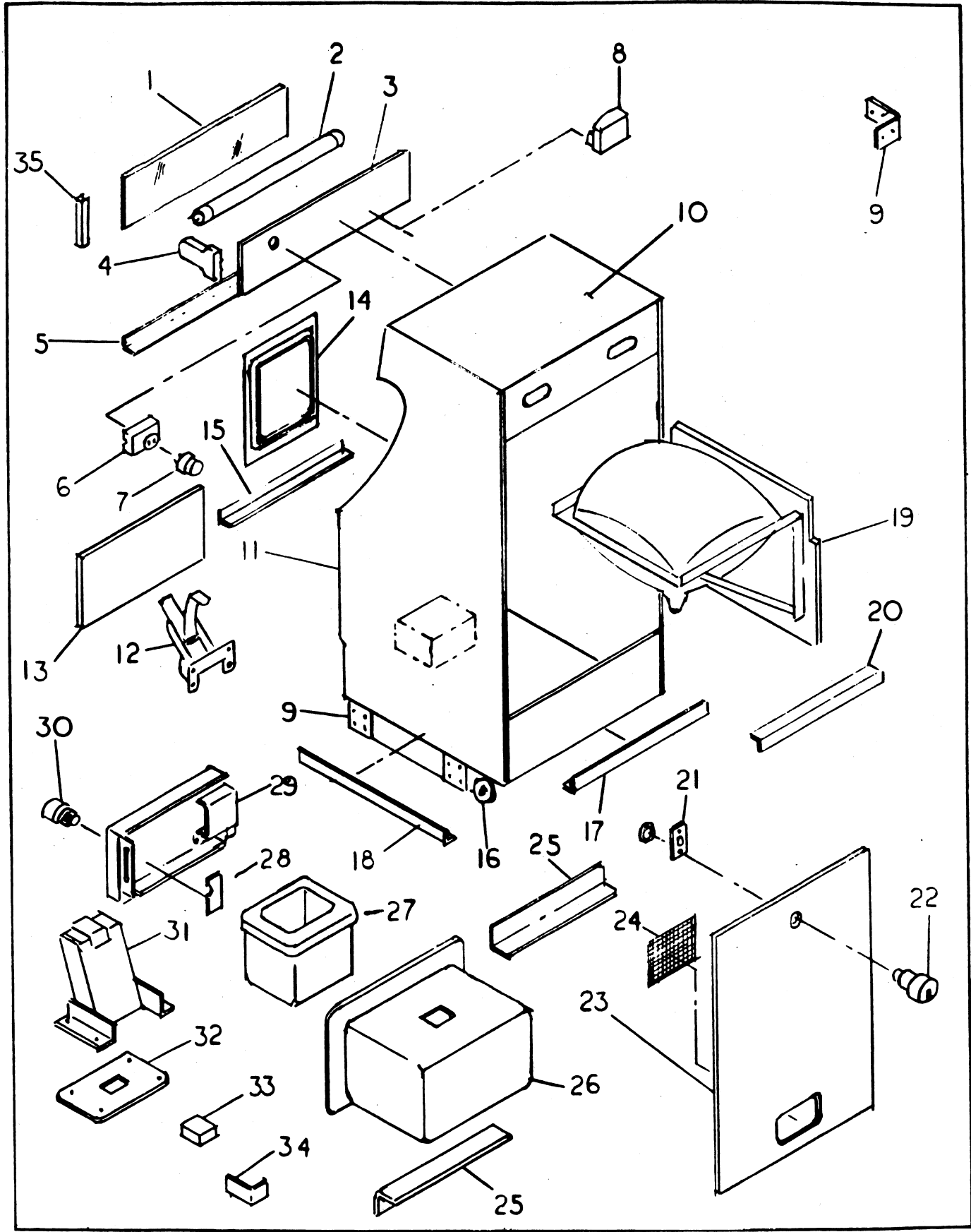
CONTROL PANEL ASSY.



CONTROL PANEL ASSEMBLY

<u>ITEM</u>	<u>PART NUMBER</u>	<u>REFERENCE</u>	<u>DESCRIPTION</u>
1	400012	AA019533	PUSH BUTTON, RED
2	370000	BP050001	SPRING
3	400013	AA019534	PUSH BUTTON HOUSING, RED
4	400026	BP090003	COLOR BALL, WHITE
5	400014	TR090012	PUSH BUTTON, WHITE
6	400015	TR090013	PUSH BUTTON HOUSING, WHITE
7	500073		CONTROL PANEL, SCREENED ALUMINUM
8	400040	WN030006	MASK, BLACK
9	500082	WN030004	SHAFT PIVOT
10	500080	SV030008	BRACKET SUPPORT
11	500079	SV030007	BRACKET MOUNTING
12	500081	SV030009	BRACKET SPRING MOUNTING
13	500083	WT050001	SPRING LEAF
14	199010	AA019504	INSULATOR, TYPE V
15	020503	AA052532	SWITCH, MICRO
16	140033		PANEL, WOOD DASH
17	500018	BP030002	BRACKET, PUSH BUTTON MOUNTING
18	020501	AA052531	SWITCH, MICRO, VL-11L
19	355000		NUT, 5/8 - 11
20	390003	RM030003	STRIKE HOOK
21	500078	BW020001	CONTROL SHAFT
22	350002		NUT, 6-32 KEPS

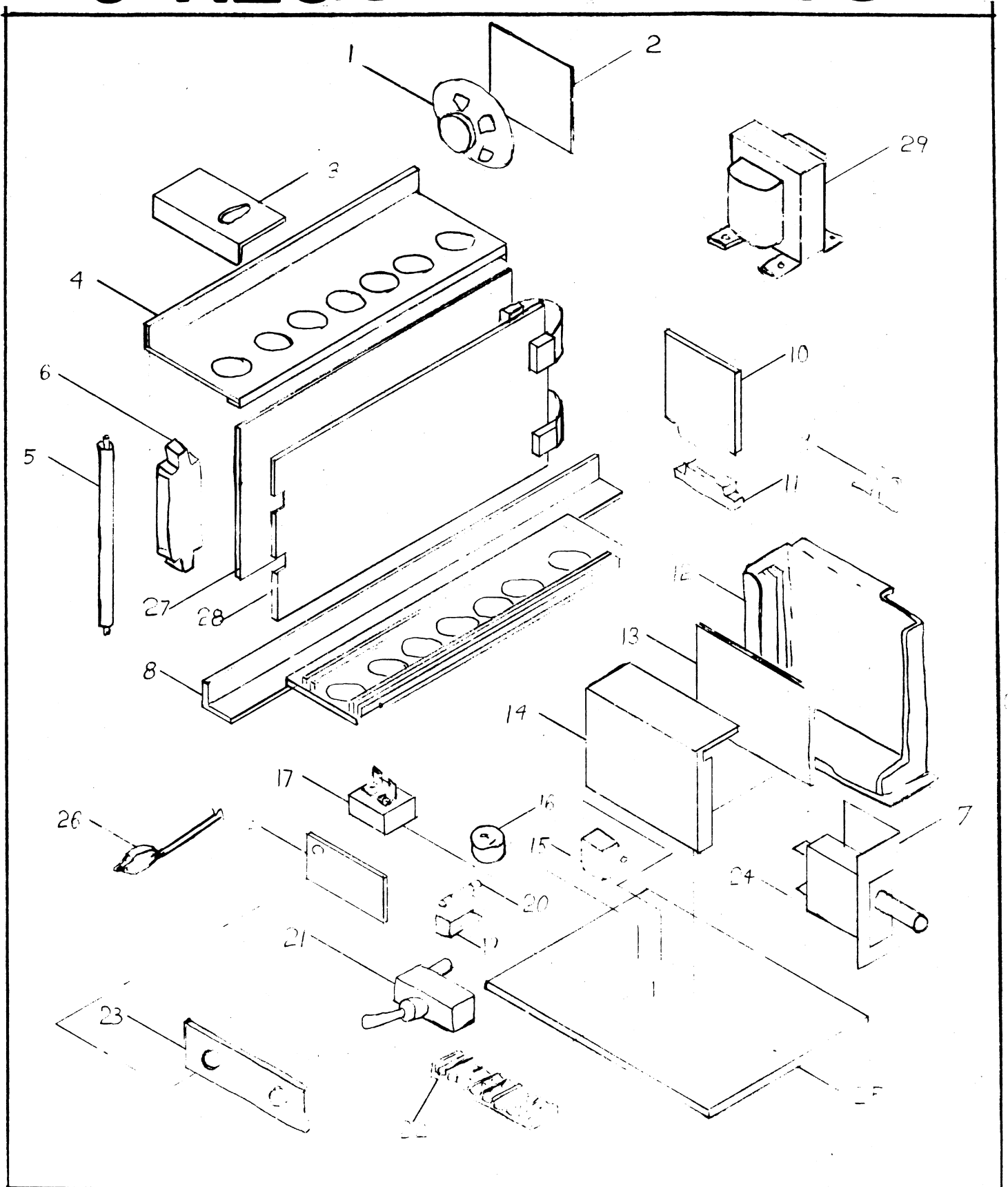
VIDEO & CABINET ASSY.



VIDEO AND CABINET ASSEMBLY

<u>ITEM</u>	<u>PART NUMBER</u>	<u>REFERENCE</u>	<u>DESCRIPTION</u>
1	400035		SCREENED ACRYLIC MARQUEE PANEL
2	112000	AA054711	FLUORESCENT TUBE, STD., 15WATT
3	140006		FLUORESCENT LAMP PANEL
4	113000		LAMP SOCKET (HOLDER)
5	500024		GLASS STOP BRACKET
6	114001		STARTER SOCKET
7	114000		STARTER
8	010001		BALLAST TRANSFORMER
9	500062	AA013584	"L" BRACKET
10	860002		CABINET ASSEMBLY
11	400007		T MOLDING, CHROME
12	390002		CLAMP FASTENER (BASSICK #HR-1)
13	148006		COVER GLASS ASSEMBLY
14	400005		MONITOR SHROUD
15	500022		GLASS PETAINER BRACKET
16	520000		CASTERS
17	400031-A		L MOLDING, BLACK, 22½" LONG
18	400031-B		L MOLDING, BLACK, 33-3/4" LONG
19	840017		MONITOR, 19" COLOR
20	500026		VIDEO MOUNTING BRACKET
21	600005-C		ANCHOR (PLATE)
22	600005		SERVICE LOCK AND KEY
23	143003		CABINET BACK
24	510003	EP030010	VENTILATOR SCREEN 5.9 x 9.8
25	500011-C	AA013580	CASH BOX GUIDE
26	500011-A	AA028507	CASH BOX
27	500011-B	AA028506	CASH CASE
28	600007	AA013583	LOCK PLATE
29	500011-D	AA026512	CASH BOX DOOR
30	600006	AA016545	LOCK (CASH BOX) & KEY
31	500060	AA025510	COIN FUNNEL
32	500061	AA013690	COIN FUNNEL PLATE
33	130000	AA051717	COUNTER, 6V DC
34	500065	AA013608	COUNTER BRACKET
35	400025		U CHANNEL, 1/8 x 1/4 x 7½, BLACK

PRINTED CIRCUIT BOARD & REGULATOR ASSY.

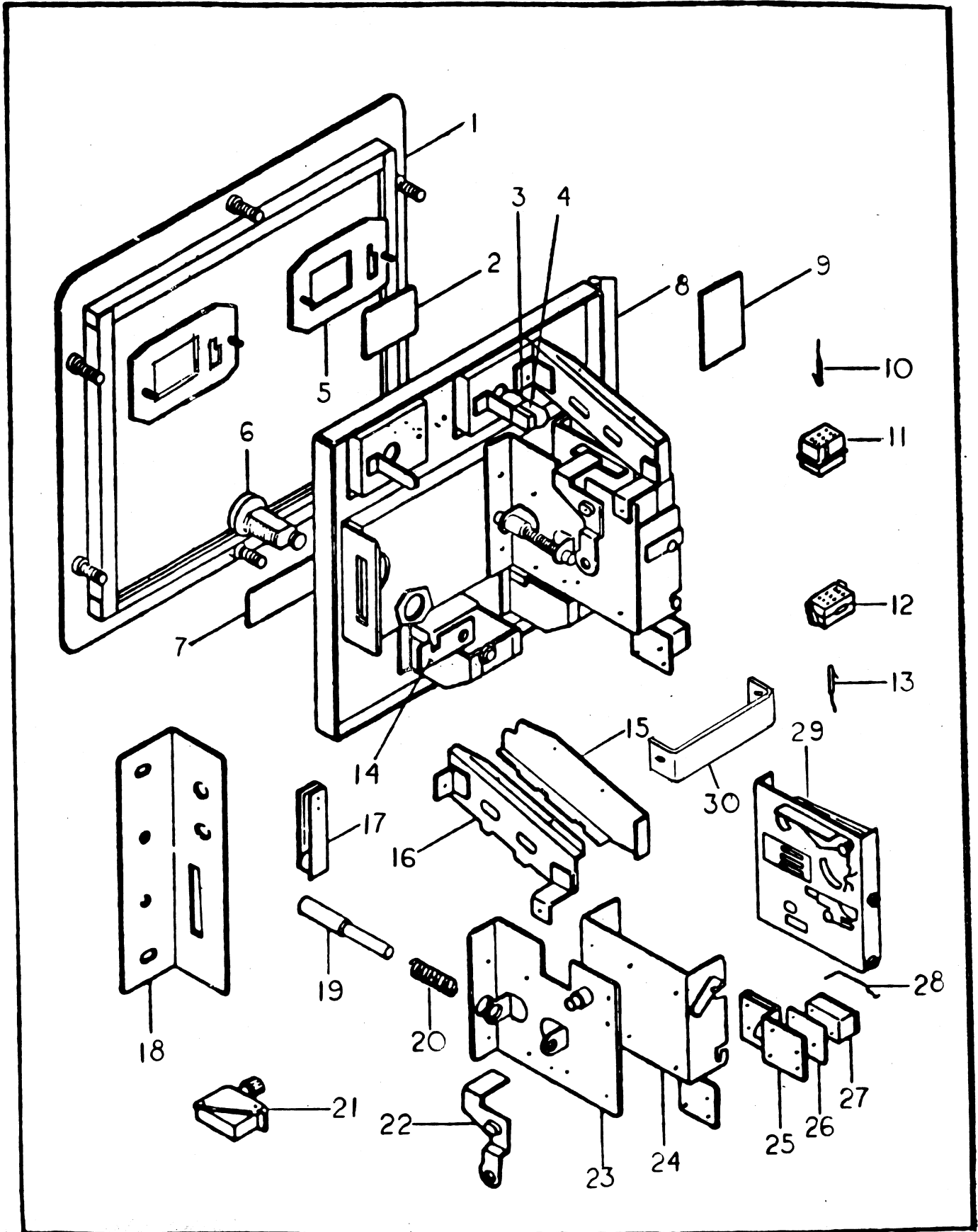


PRINTED CIRCUIT BOARD AND REGULATOR ASSEMBLY

<u>ITEM:</u>	<u>PART NO:</u>	<u>REF. NO:</u>	<u>DESCRIPTION:</u>
1.	140002		SPEAKER, 8 OHM, 20w, 16cm
2.	500015		SPEAKER GRILLE
3.	500057	CV030023	STOP BRACKET
4.*	850007	WT090008	P.C. BOARD GUIDE "B"
5.	500059	TV020001	SHAFT P.C. CHASSIS
6.	100030	AA055949	18P. HOUSING CONNECTOR
7.	500064		BRACKET INTERLOCK
8.*	850006	AA019547	P.C. BOARD GUIDE "A"
9.	500035		"L" BRACKET
10.	800011	AAM50012	COUNTER DRIVE CREDIT BOARD
11.	100028	AA055720	CONNECTOR, EDGE, 10P.
12.	998702	AA013613	SHIELD BOX
13.	800010	AAM60009	SWITCH REGULATOR ASSEMBLY
14.	998703	AA013614	SHIELD COVER
15.	998962	AAT61017	NOISE FILTER, ZMB 2206-02
16.	210000		SERVICE OUTLET
17.	019500		POWER LINE FILTER
18.	199007		INSULATOR
19.	171000		FUSE HOLDER
20.	170005		FUSE, 3 AMP, 3AG, 250V, SLO-BLO
21.	021500		TOGGLE SWITCH
22.	100027		BARRIER STRIP - 8 POSITION
23.	500025		TOGGLE SWITCH BKT. (PWR. SWITCH)
24.	024001		INTERLOCK SWITCH
25.	140011		POWER BOARD MOUNTING
26.	840002		LINE CORD ASSEMBLY
27.*	800032		CPU P.C. BOARD ASSEMBLY "A"
28.*	800033		GAME P.C. BOARD ASSEMBLY
29.	010002		ISOLATION TRANSFORMER
4A	500075		P.C. BOARD GUIDE "A"
8A	500076		P.C. BOARD GUIDE "B"
27A	800030		GAME CPU P.C. BOARD ASSY. "A"
28A	800031		SOUND P.C. BOARD ASSEMBLY "B"

*A DENOTES ALTERNATE DESIGN

COIN MECHANISM AND FRONT DOOR ASSY.



COIN MECHANISM AND FRONT DOOR ASSEMBLY:

<u>ITEM:</u>	<u>PART NO:</u>	<u>REF. NO:</u>	<u>DESCRIPTION:</u>
1.	500010	AA026510	DOOR FRAME
2.	500021-A	AA029512	PRICE CARD - U.S. 25¢
3.	110000	AA054704	PILOT LAMP, 12V., 150MA
4.	113001	AA055698	VINYL SOCKET
5.	500021-B		COIN ENTRY PLATE FOR 25¢
6.	500021-C	AA016558	SERVICE LOCK AND KEY NO. 7900
7.	120017		NAME TAG, TAITO
8.	500009	AA026511	COIN REJECTOR DOOR
9.	500021-E	AA019522	COVER PLATE
10.	104000	AA055789	MATE-N-LOC PIN A
11.	103007	AA055581	MATE-N-LOC HOUSING, 9P
12.	103008	AA055582	MATE-N-LOC HOUSING, 9P
13.	104001	AA055790	MATE-N-LOC PIN B
14.	500021-F	AA013578	LOCK PLATE
15.	500021-G	AA025508	COIN GUIDE (B)
16.	500021-H	AA025507	COIN GUIDE (A)
17.	500021-J	AA068717	TILT SWITCH
18.	500058	AA013577	LOCK GUARD
19.	500021-K	AA027504	CANCEL ROD
20.	500021-L	AA015504	SPRING CANCEL HOLDER
21.	020501	AA052531	SWITCH, SERVICE
22.	500021-M	AA013557	CANCEL LEVER
23.	500021-N	AA013554	REJECTOR BRACKET
24.	500021-P	AA023501	REJECTOR HOLDER
25.	500054		COIN GUIDE
26.	199005	AA019502	INSULATOR
27.	020502	AA052512	SWITCH, MICRO
28.	370002	AA053501	ACTUATOR
29.	540000		REJECTOR
30.	500021-R		CANCEL LEVER CONNECTOR