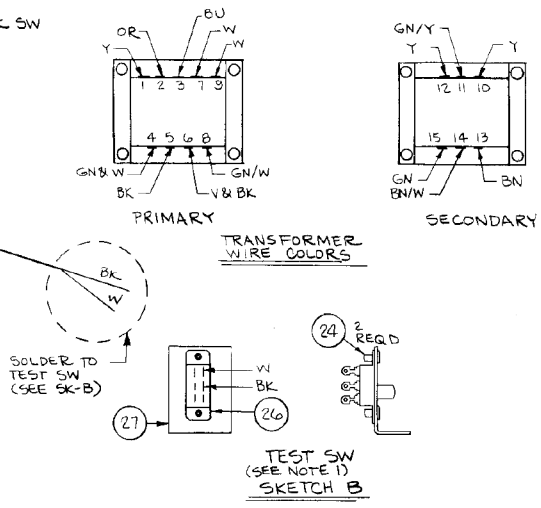
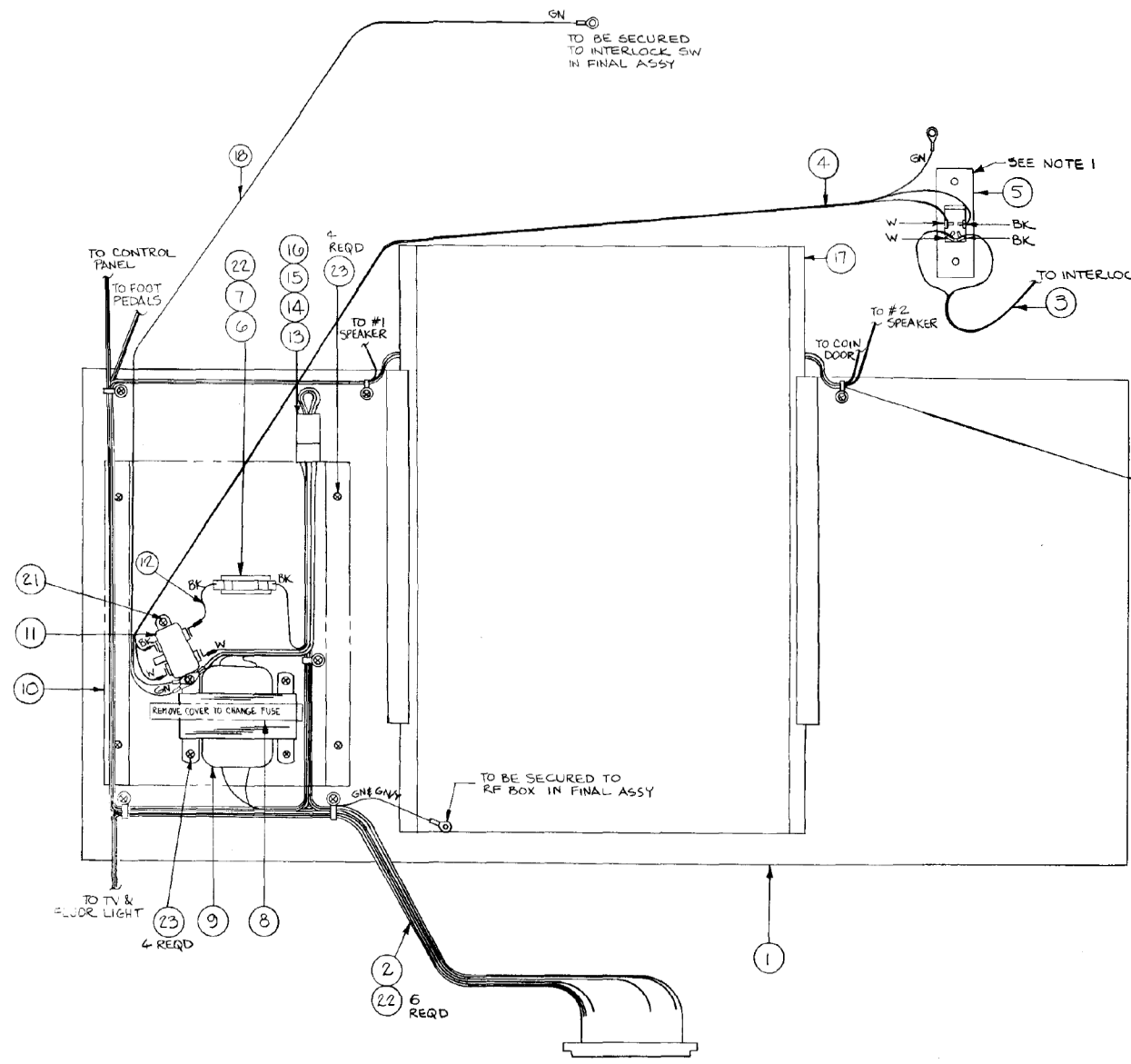


REVISIONS				
ZONE	SYM	DESCRIPTION	DATE	APPROVED
1		PRE-PROD REL		
	A	PROD REL		
	B	REV PER EGN 3089		

D  
C  
B  
A

D  
C  
B  
A

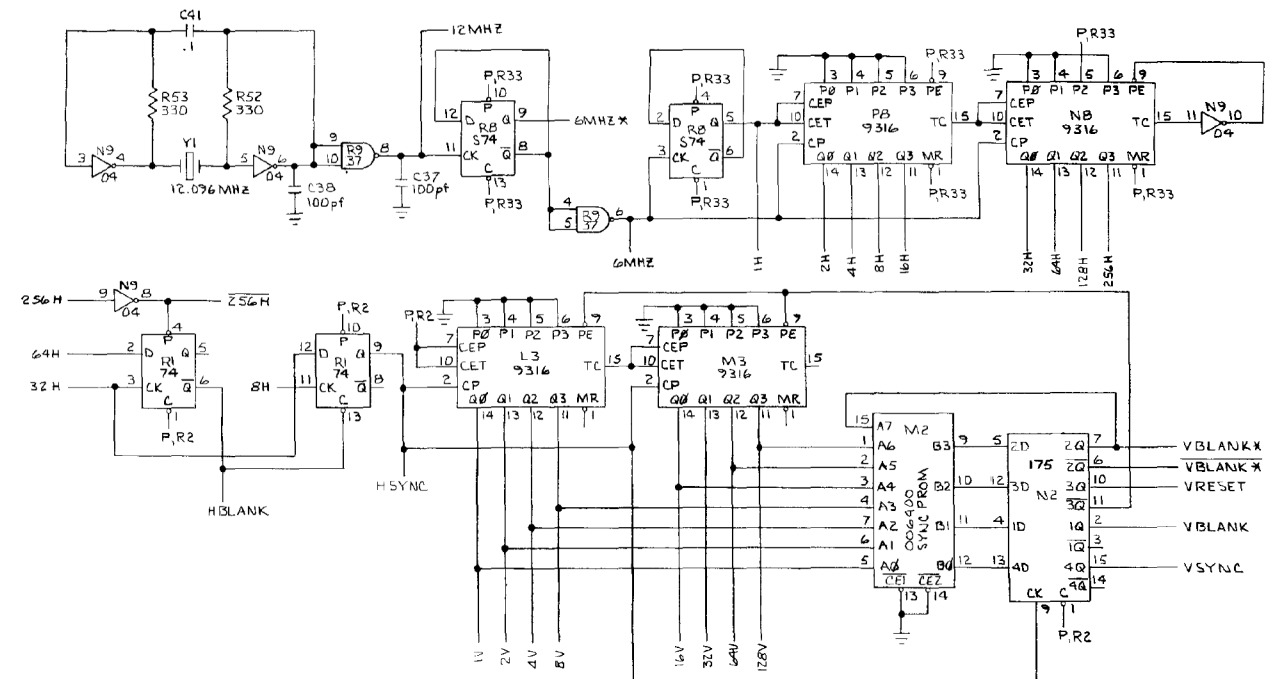


OUTSTANDING ECNs	

UNLESS OTHERWISE SPECIFIED: DIMENSIONS ARE IN INCHES TOLERANCES ON: ANGLES - ±1° SURFACE FINISH - .0005 ± .010		DO NOT SCALE DRAWING DRAWN BY _____ DATE _____ CHECKED _____ ENGINEER _____ PROJECT ENGINEER _____		 ATARI INCORPORATED 14600 Winchester Boulevard Los Gatos, California 95030	TITLE <b>SPRINT II</b> ELECTRONICS TRAY ASSEMBLY
MATERIAL: SEE P/L		FINISH:			SIZE <b>D</b> A005925-XX
A003664-01 A006205-01 NEXT ASSY USED ON	A006205-01 SPRINT II USED ON	APPLICATION		SCALE 1:2	SHEET 1 OF 1

NOTES: UNLESS OTHERWISE SPECIFIED  
 1. RESISTANCE VALUES ARE IN OHMS.  
 2. CAPACITANCE VALUES ARE IN MICROFARADS.

REVISIONS			
SYM	DESCRIPTION	INITIALS AND DATE	
		DRFTG	ENGR
I	PRE-PROD. RELEASE		
A	PRODUCTION RELEASE		



UNUSED GATES

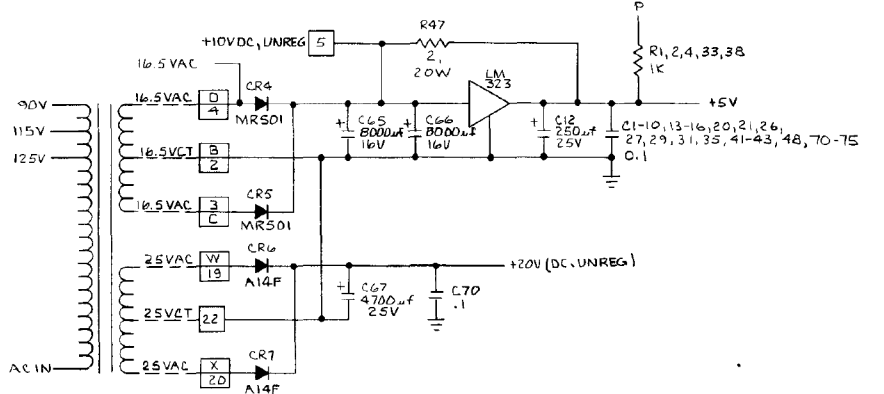
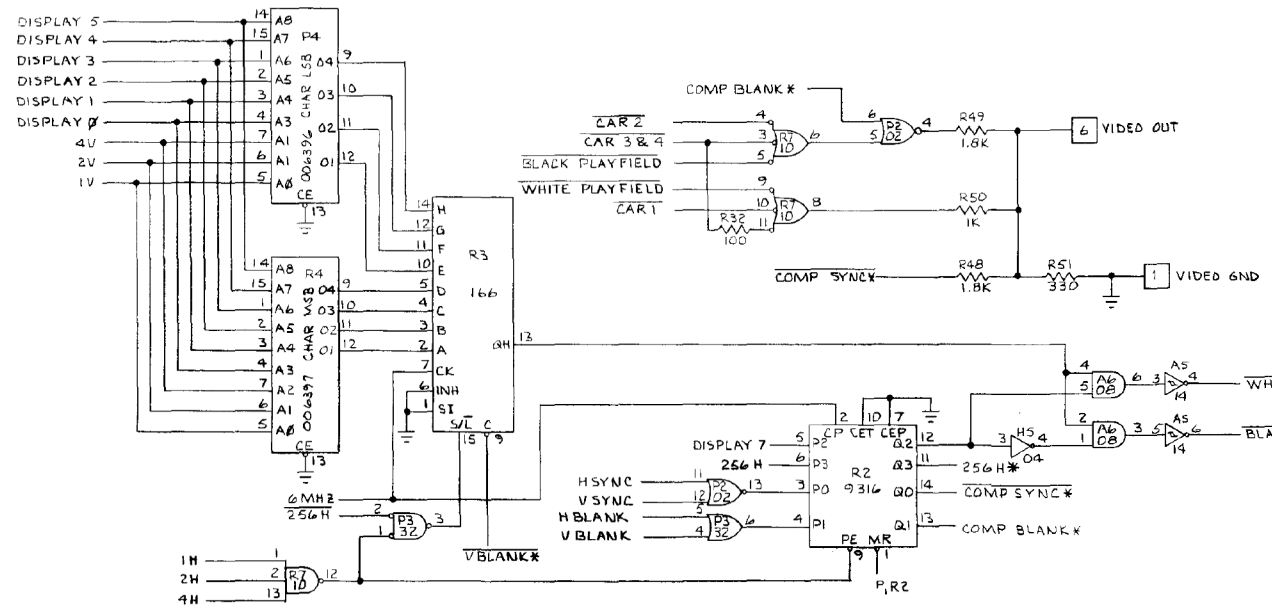
LOC	TYPE
P2	02
A2,P3	32
L2	08
N3	08
J4,E3	04
C7	86

REF DESIGNATION

HIGHEST	NOT USED
R05	R34,36,31
C69	C40
CR7	
Q2	
SW3	
Y1	

REFERENCE ONLY

DWG NO	VERSION	LI	LO	MI	MO	NI	NO	PI	PO	FI	HI	HO	LI	LO	KI	KO
006340	-01															
006381	-02															
006383	-03															
006384																
006385																
006386																
006387																
006388																
006389																
006390																
006392																
006393																
006394																
006395																
006404																
006405																
006290																
004291																



SYNC, PLAYFIELD AND POWER CIRCUIT

INTERPRET THIS DRAWING PER USASI Y14.5 UNLESS OTHERWISE SPECIFIED DIMENSIONS ARE IN INCHES TOLERANCES ON FRACTIONS = ±.010 ±.005 ANGLES = ±.01 SURFACE FINISH = XX ±.010	DRAWN BY _____ DATE _____ CHECKED _____ DESIGN ENGINEER _____ PROJECT ENGINEER _____ DOCUMENT CONTROL _____ APPROVED _____	ATARI INCORPORATED 14600 Winchester Boulevard Los Gatos, California 95030 TITLE <b>SCHEMATIC, SPRINT 2</b> SIZE <b>D</b> DRAWING NO <b>005922-XX</b> REV <b>A</b> SCALE _____ SHEET 1 OF 5
---	---	--

ADD 5922	SPRINT 2
NEXT ASST	USED ON
APPLICATION	

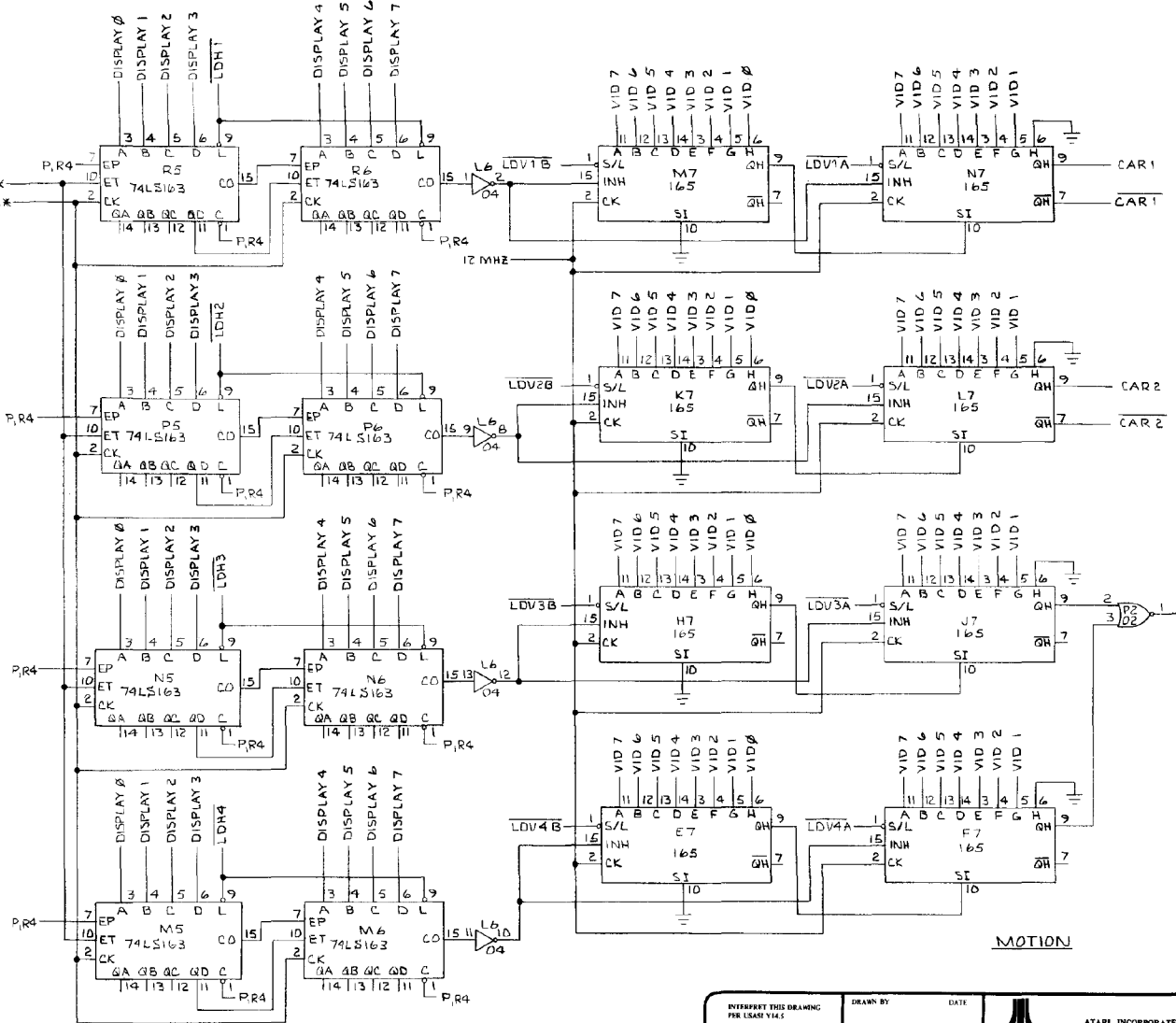
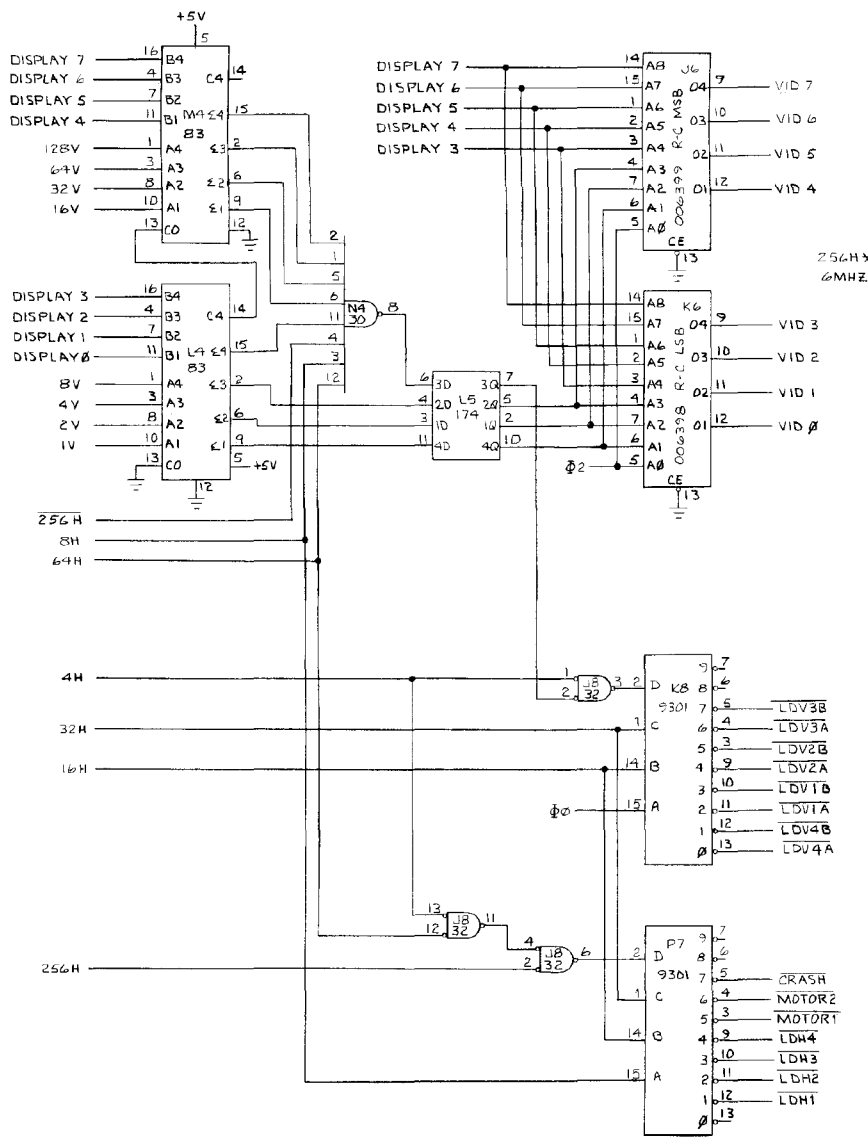
REVISIONS			
SYM	DESCRIPTION	INITIALS and DATE	
		DRFTG	CHECK ENCRG
-	SEE SHEET ONE		

D

C

B

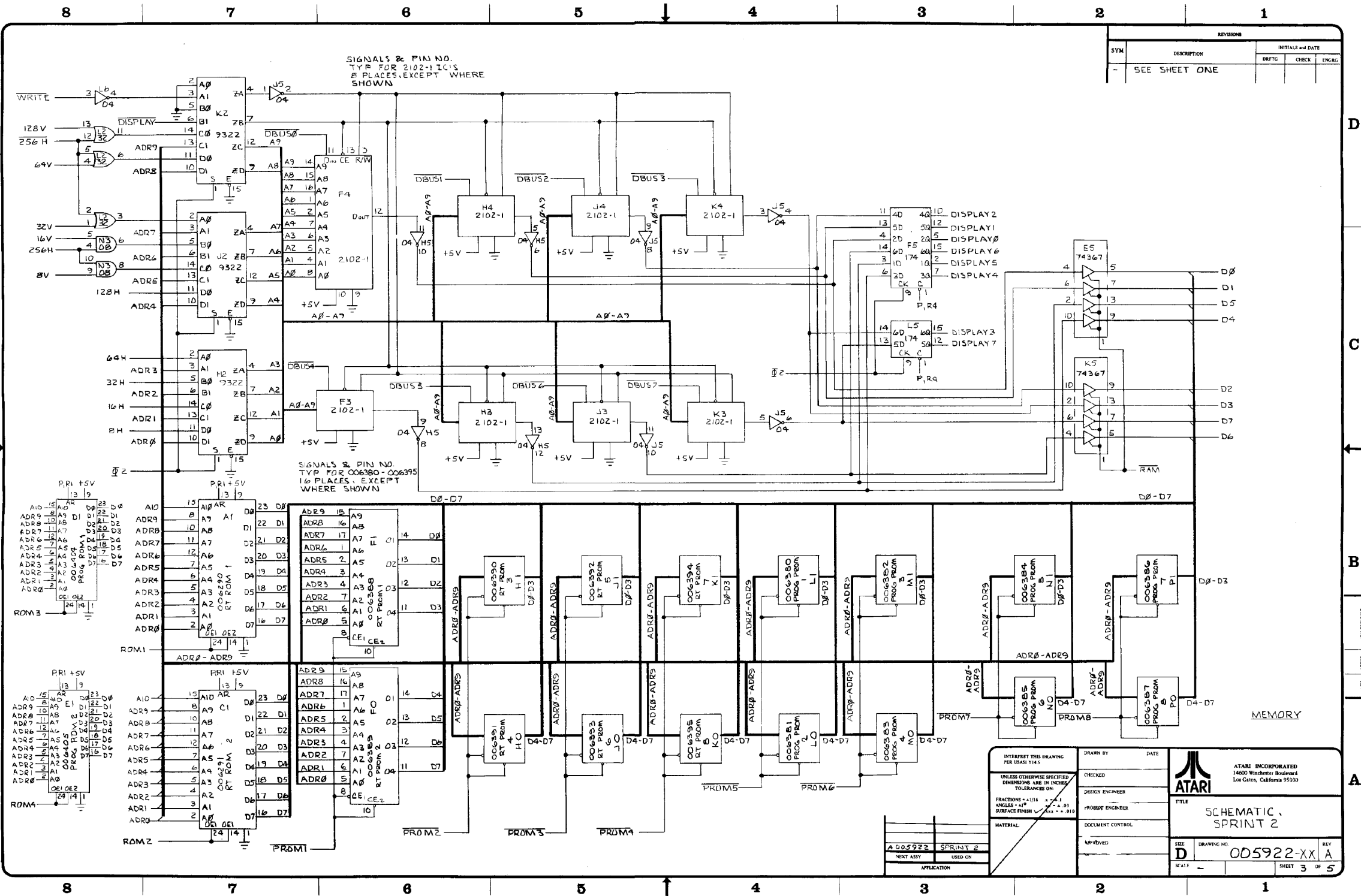
A



MOTION

INTERPRET THIS DRAWING FOR LEASER VLS	DRAWN BY _____ DATE _____	 ATARI INCORPORATED 14500 Winchester Boulevard Los Gatos, California 95030
UNLESS OTHERWISE SPECIFIED DIMENSIONS ARE IN INCHES TOLERANCES ON:	CHECKED _____	
FRACTIONS = 1/16 1/8 1/4 1/2 1 2 3 4 5 6 8 10 12 16 20 24 32 40 48 60 80 100	DESIGN ENGINEER _____	TITLE
ANGLES = 15 30 45 60 90 120 135 150 180	PROJECT ENGINEER _____	SCHEMATIC, SPRINT 2'
SURFACE FINISH = .010	DOCUMENT CONTROL _____	SIZE
MATERIAL:	AREA #/REV	D
		DRAWING NO.
		005922-XX
		REV
		A
		SHEET
		2 OF 5

005922	SPRINT 2
NEXT ASSY	USED ON
APPLICATION	

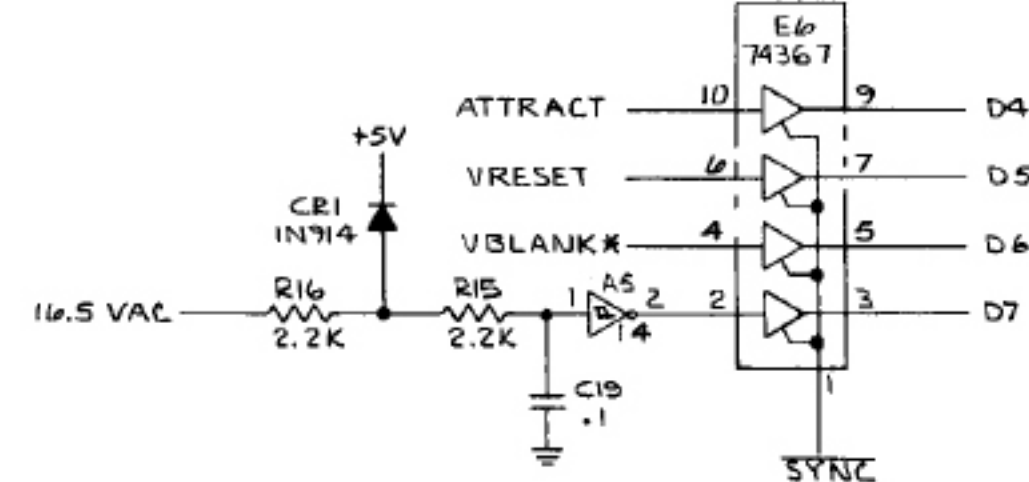
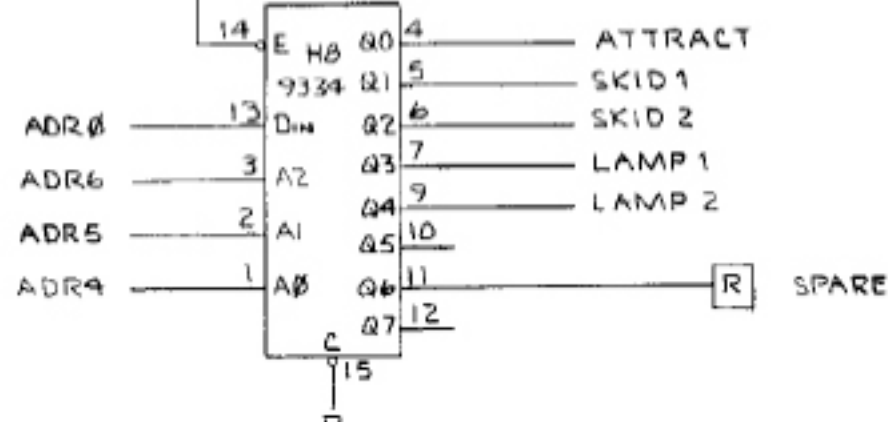
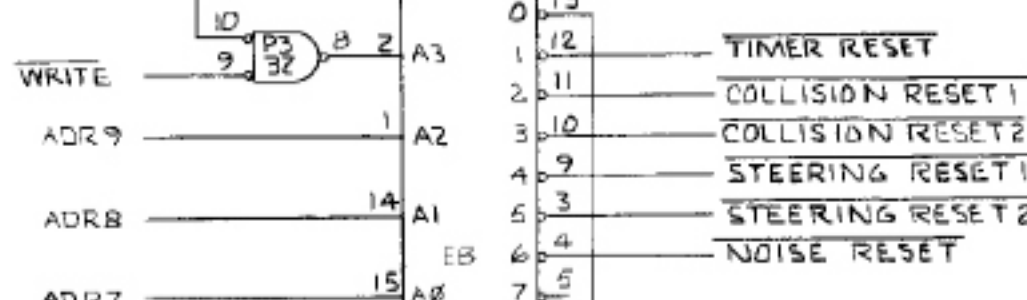
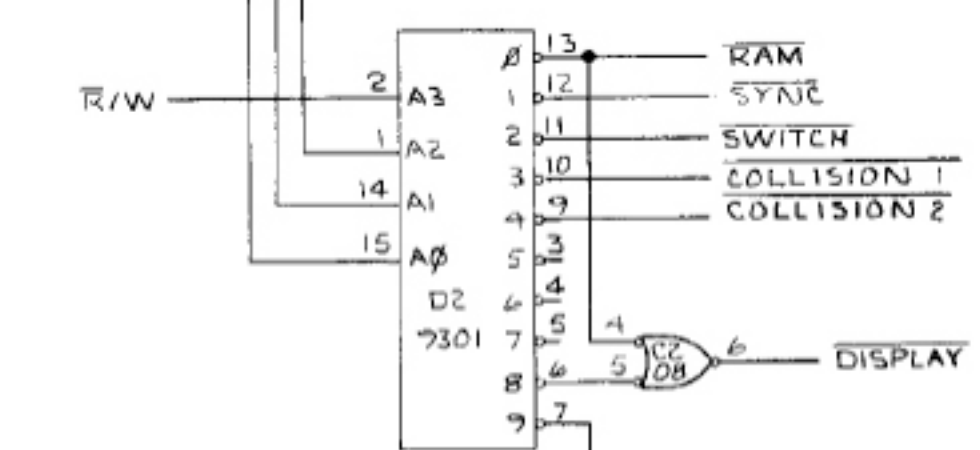
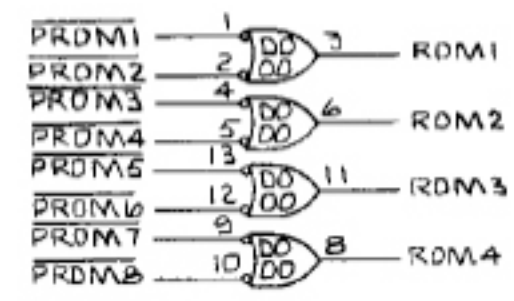
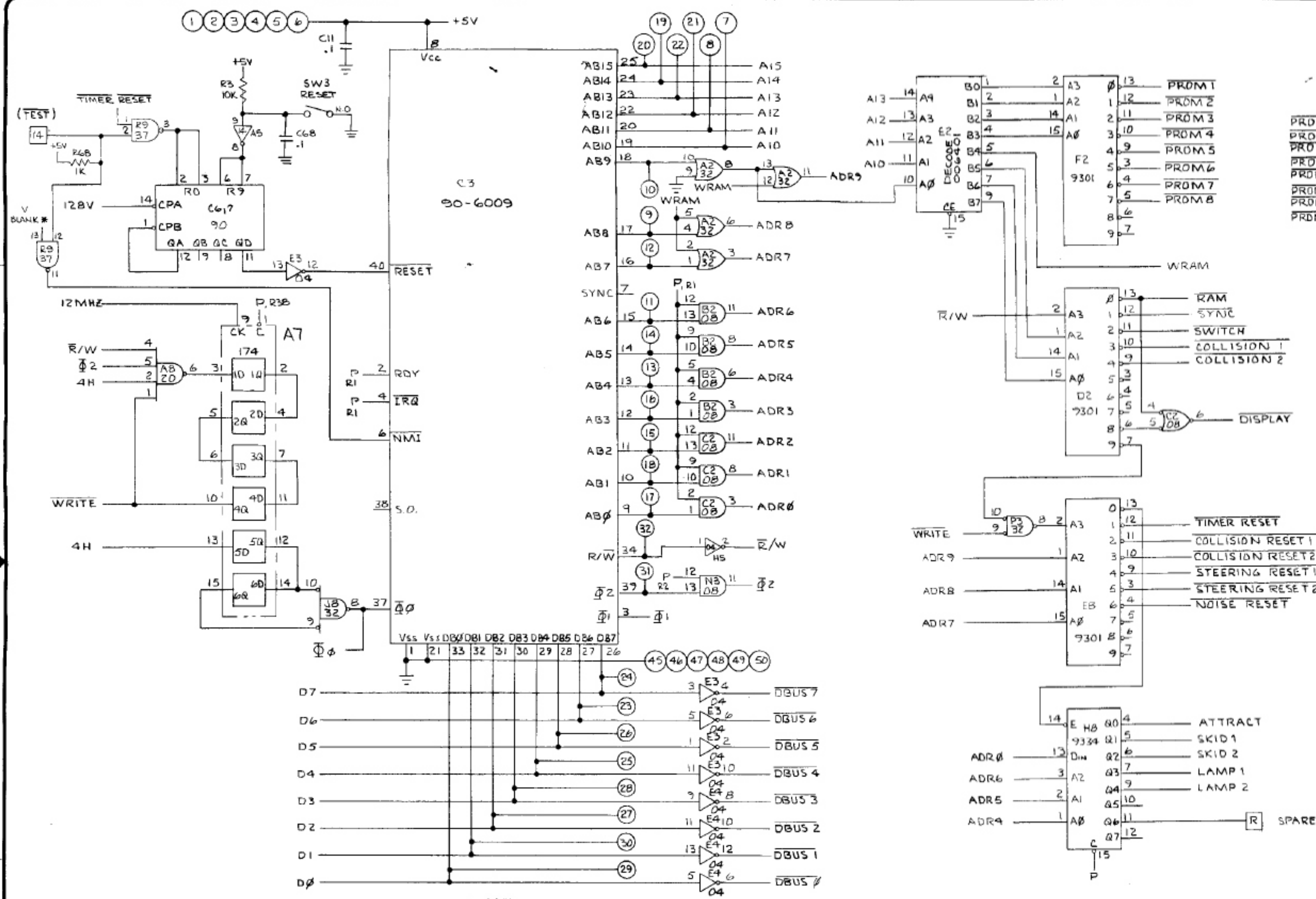


REVISIONS			INITIALS and DATE		
SYM	DESCRIPTION		DRFTG	CHECK	ENGR
-	SEE SHEET ONE				

INTERPRET THIS DRAWING PER USAS 741.5 UNLESS OTHERWISE SPECIFIED DIMENSIONS ARE IN INCHES TOLERANCES ON FRACTIONS +.1/16 - .1/32 ANGLES ±.1° SURFACE FINISH .0005 ±.015	DRAWN BY: _____ DATE: _____ CHECKED: _____ DESIGN ENGINEER: _____ PROJECT ENGINEER: _____ DOCUMENT CONTROL: _____ APPROVED: _____ USED ON: _____	<b>ATARI</b> ATARI INCORPORATED 14500 Wilshire Boulevard Los Gatos, California 95030
	TITLE: SCHEMATIC, SPRINT 2	
	SIZE: D SCALE: -	DRAWING NO: 005922-XX SHEET 3 OF 5
	APPLICATION: _____	

A 005922	SPRINT 2
NEXT ASSY	USED ON
APPLICATION	

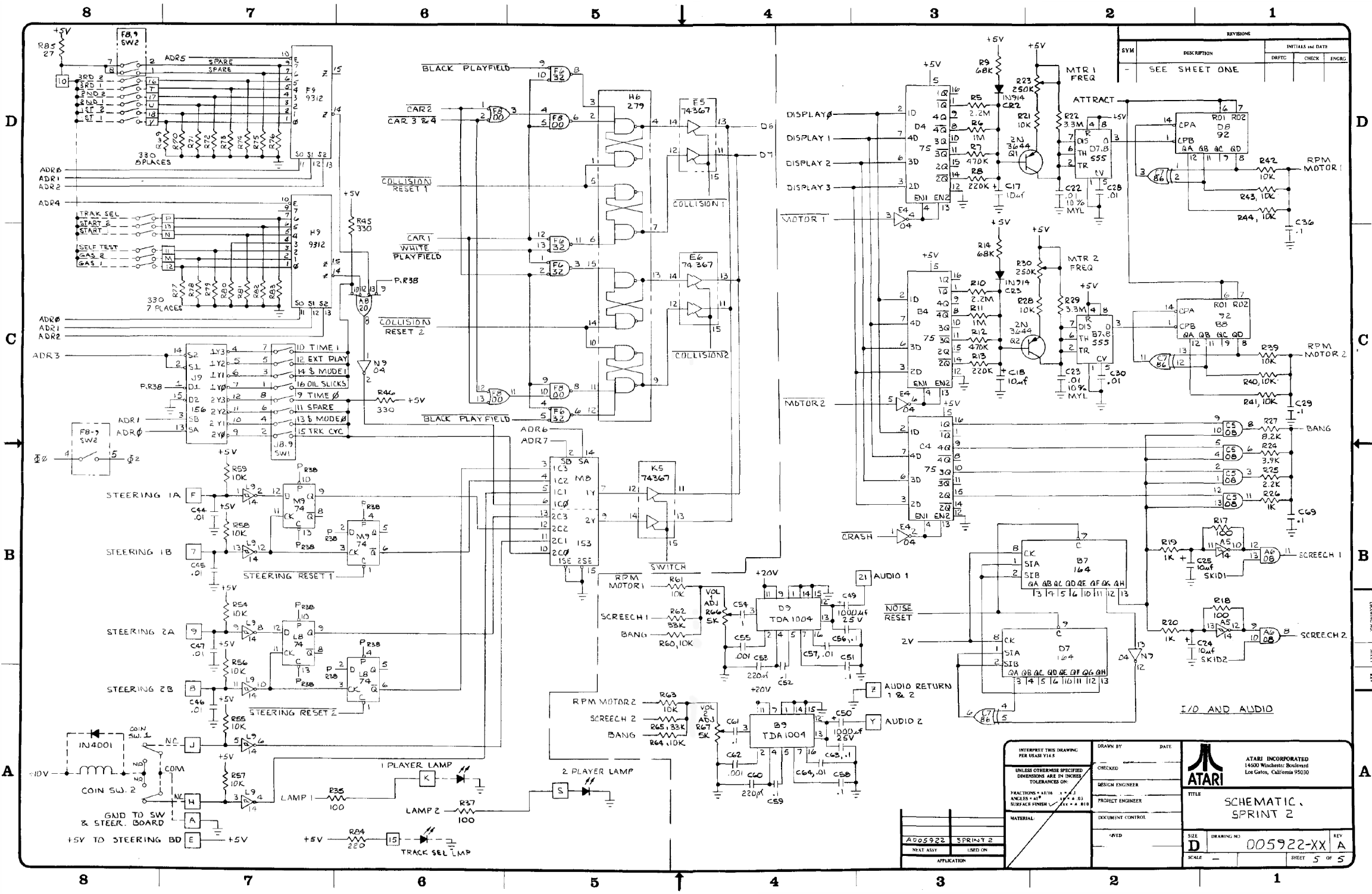
REVISIONS				
SYM	DESCRIPTION	INITIALS AND DATE		
		DRFTG	CHECK	ENGRG
-	SEE SHEET ONE			



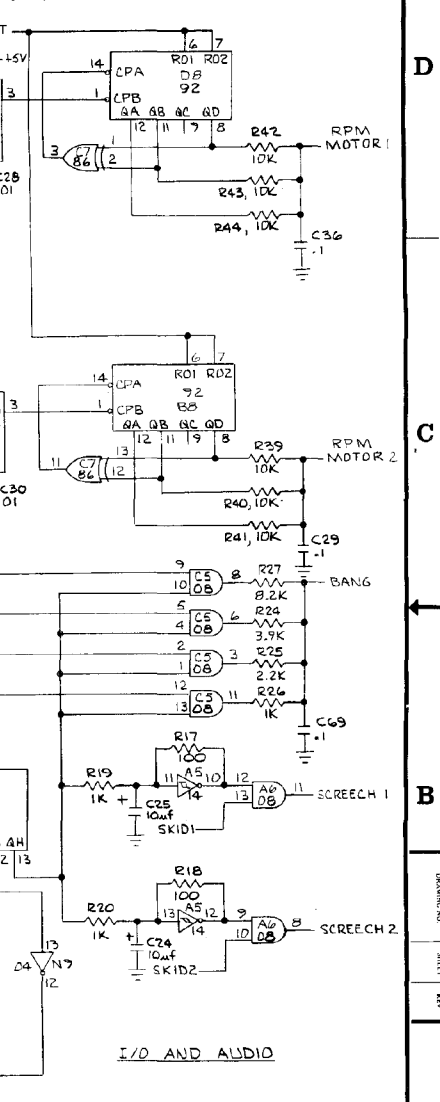
MICROPROCESSOR

INTERPRET THIS DRAWING PER USAE Y143 UNLESS OTHERWISE SPECIFIED DIMENSIONS ARE IN INCHES TOLERANCES ON: FRACTIONS - ±.010 ANGLES - ±1° SURFACE FINISH - Ra = .010	DRAWN BY _____ DATE _____ CHECKED _____ DESIGN ENGINEER _____ PROJECT ENGINEER _____ DOCUMENT CONTROL _____ APPROVED _____	ATARI INCORPORATED 14600 Winchester Boulevard Los Gatos, California 95030 TITLE <b>SCHMATIC, SPRINT 2</b> SIZE <b>D</b> DRAWING NO. <b>005922-XX</b> REV <b>A</b> SCALE _____ SHEET <b>4</b> OF <b>5</b>
	MATERIAL: _____ APPLICATION: _____	
	NEXT ASSY _____ USED ON _____	
	ADDS 922 SPRINT 2	

DRAWING NO. SHEET REV.



REVISIONS		INITIALS AND DATE	
SYM	DESCRIPTION	DRAFT	CHECK
-	SEE SHEET ONE		



INTERPRET THIS DRAWING PER ANSI Y14.5 UNLESS OTHERWISE SPECIFIED DIMENSIONS ARE IN INCHES TOLERANCE ON:	DRAWN BY: _____ DATE: _____ CHECKED: _____ DESIGN ENGINEER: _____ PROJECT ENGINEER: _____ DOCUMENT CONTROL: _____	ATARI INCORPORATED 14500 Winchester Boulevard Los Gatos, California 95030
MATERIAL: _____ APPLICATION: _____	TITLE: SCHEMATIC, SPRINT 2 SIZE: D DRAWING NO: 005922-XX SCALE: _____ SHEET 5 OF 5	REV: A REV: _____

8 7 6 5 4 3 2 1

D

D

C

C

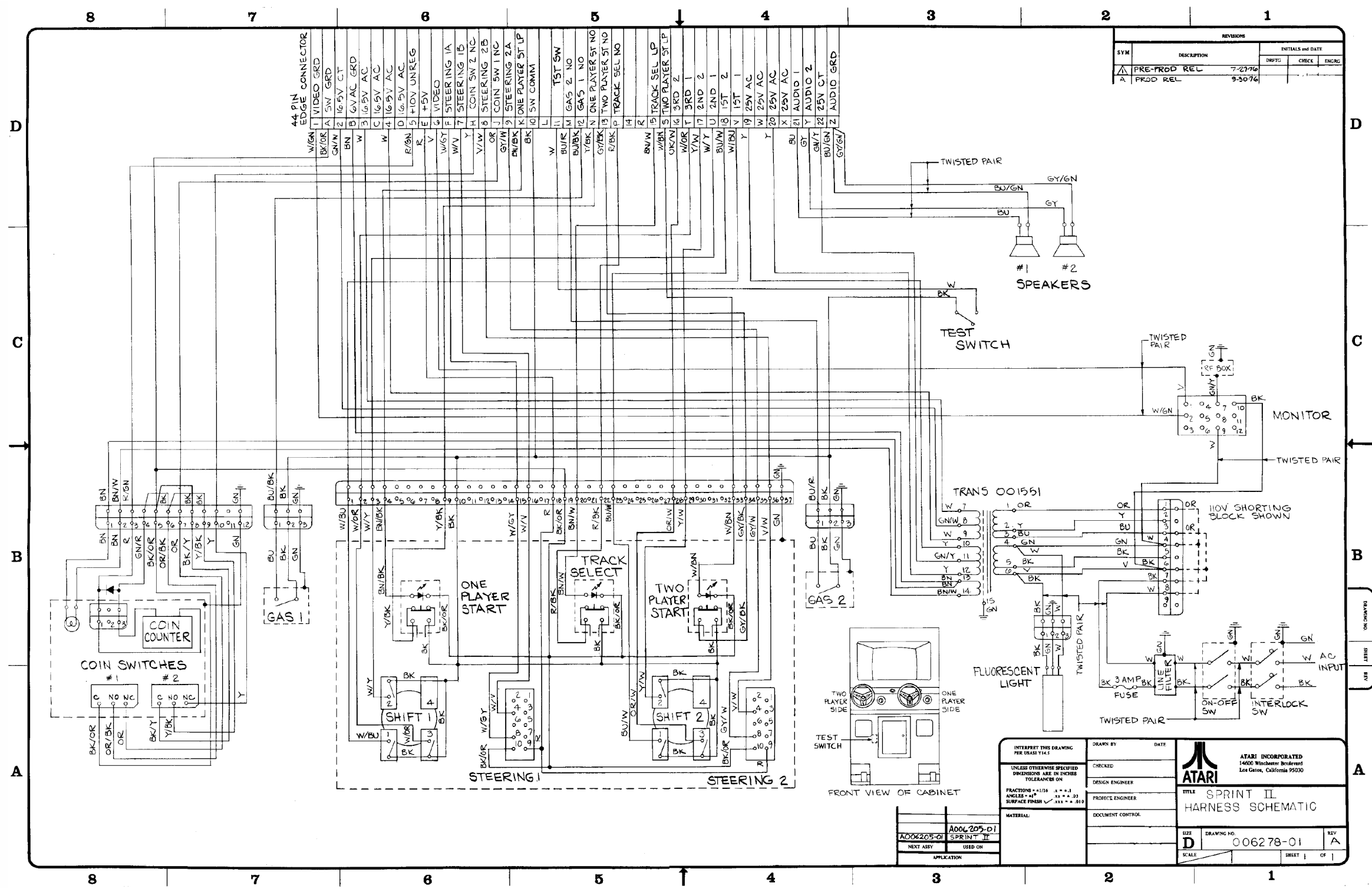
B

B

A

A

8 7 6 5 4 3 2 1



REVISIONS			
SYM	DESCRIPTION	INITIALS AND DATE	
△	PRE-PROD REL	7-27-76	
▲	PROD REL	9-30-76	

 <b>ATARI INCORPORATED</b> 1400 Winchester Boulevard Los Gatos, California 95030	
INTERPRET THIS DRAWING PER USAS 174.1 UNLESS OTHERWISE SPECIFIED DIMENSIONS ARE IN INCHES TOLERANCES ON FRACTIONS = ±1/16 INCHES ANGLES = ±1° SURFACE FINISH = XXX = .010	DRAWN BY: _____ DATE: _____ CHECKED: _____ DESIGN ENGINEER: _____ PROJECT ENGINEER: _____ DOCUMENT CONTROL: _____
MATERIAL: A006205-D1 SPRINT II	TITLE: <b>SPRINT II HARNESS SCHEMATIC</b> SIZE: <b>D</b> DRAWING NO: 006278-01 SCALE: _____ SHEET: _____ OF: _____

A006205-D1 NEXT ASSY: _____ APPLICATION: _____	A006205-D1 SPRINT II USED ON: _____
--	---