

SERVICE

INSTRUCTIONS

SKY SOLDIERS

**"SOMEWHERE ACROSS TIME"
NOW STARTING ACCELERATION TO SUB-SPACE,
FIGHT SKY SOLDIER!!**

**DESTROY ENEMY AIRSHIPS
FROM EACH TIME PERIOD.**

**2P SIMULTANEOUS PLAY
PLAYER CAN JOIN IN ANY
TIME DURING PLAY.**

**DOG FIGHT!!
FIGHT YOUR WAY THROUGH
BURNING BATTLEFIELDS.**

SNK

SKY SOLDIER
DIP SWITCH NO. 1

(E)

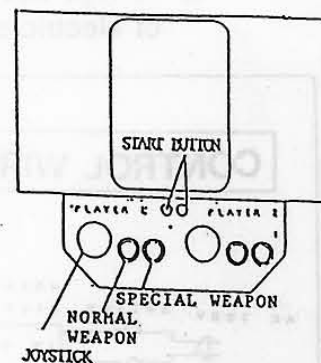
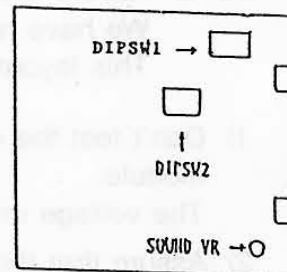
ITEM	CONTENTS	1	2	3	4	5	6		
DISPLAY	NORMAL	OFF			ALWAYS ON	ALWAYS OFF			
	INVERSE	ON							
(EASY) DIFFICULTY ↑ LEVEL (DIFFICULT) ↓	1		OFF	ON					
	2		ON	OFF					
	3		OFF	OFF					
	4		ON	ON					
NO DEATH MODE	NORMAL						OFF		
	NO DEATH						ON		

DIP SWITCH NO. 2

ITEM	CONTENTS	1	2	3	4	5	6
NO OF SOLDIERS	3	OFF	OFF				
	4	OFF	ON				
	5	ON	OFF				
	6	ON	ON				
ATTRACTION SOUND	WITHOUT SOUND			OFF			
	WITH SOUND			ON			
PLAY PRICING COIN 1	1 COIN 1 PLAY				OFF	OFF	OFF
	1 COIN 2 PLAY				OFF	OFF	ON
	1 COIN 3 PLAY				OFF	ON	OFF
	1 COIN 4 PLAY				OFF	ON	ON
	1 COIN 5 PLAY				ON	OFF	OFF
	1 COIN 6 PLAY				ON	OFF	ON
	2 COIN 3 PLAY				ON	ON	OFF
	3 COIN 2 PLAY				ON	ON	ON
PLAY PRICING COIN 2	1 COIN 1 PLAY				OFF	OFF	OFF
	2 COIN 1 PLAY				OFF	OFF	ON
	3 COIN 1 PLAY				OFF	ON	OFF
	4 COIN 1 PLAY				OFF	ON	ON
	5 COIN 1 PLAY				ON	OFF	OFF
	6 COIN 1 PLAY				ON	OFF	ON
	7 COIN 1 PLAY				ON	ON	OFF
	8 COIN 1 PLAY				ON	ON	ON

(SKY SOLDIER)
WIRING HARNESS

SOLDER SIDE	PIN NO.		PARTS SIDE
GND	A	1	GND
GND	B	2	GND
+ 5V	C	3	+ 5V
+ 5V	D	4	+ 5V
	E	5	
+ 12V	F	6	+ 12V
IN-CORRECT INSERT PREVENTING KEY	H	7	IN-CORRECT INSERT PREVENTING KEY
COIN COUNTER 2	J	8	COIN COUNTER 1
	K	9	
SPEAKER (-)	L	10	SPEAKER (+)
	M	11	
VIDEO GREEN	N	12	VIDEO RED
VIDEO SYNC	P	13	VIDEO BLUE
SERVICE SWITCH	R	14	VIDEO GND
	S	15	TEST SWITCH
COIN SWITCH 2	T	16	COIN SWITCH 1
2P START	U	17	1P START
2P 1 UP	V	18	1P 1 UP
2P 2 DOWN	W	19	1P 2 DOWN
2P 3 LEFT	X	20	1P 3 LEFT
2P 4 RIGHT	Y	21	1P 4 RIGHT
2P 5 NORMAL WEAPON	Z	22	1P 5 NORMAL WEAPON
2P 6 SPECIAL WEAPON	a	23	1P 6 SPECIAL WEAPON
	b	24	
	c	25	
	d	26	
GND	e	27	GND
GND	f	28	GND



PCB LAYOUT

1-1) ADAPTION FOR EDGE CONNECTOR CR7E-56DA-3, 96E(56PIN): HRS

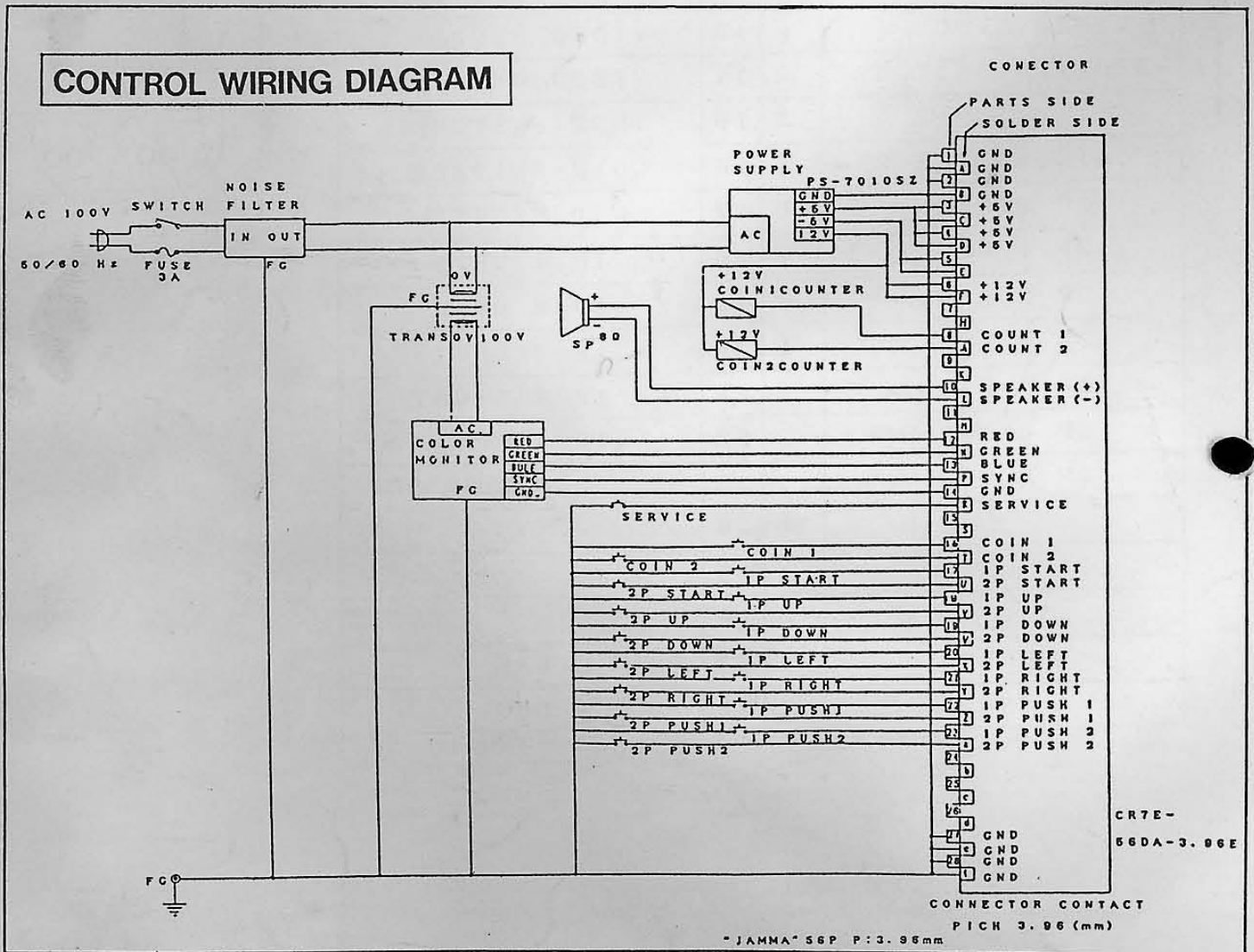
1-2) POWER SUPPLY:

SNK recommends the use of a switching type power supply with minimum current ratings as stated.

VOLTAGE	CURRENT
+5VDC	7 Amps
+12VDC	1 Amp

NOTE: Assure that the voltage on the PCB is in the range from +5.00V to +5.25V.
We have no responsibility for any changes other than constructed.
This layout can be changed without notice.

- 1) Don't test the circuits with Testor etc., even if you find malfunction on solid state module.
The voltage inside Testor will break the IC.
- 2) Assure that the power is cut off when you replace parts or insert/disconnect the edge connector.
- 3) Make sure to pull from plug, when you disconnect the power cord.
- 4) Always use caution to stay clear of the high voltage sections to avoid the possibility of electric shock.



SNK CORPORATION
18-12 TOYOTSU-CHO, SUITA-SHI, OSAKA, 564, JAPAN.
PHONE:06(338)7007 FAX:06(338)7150 TELEX:523 6785 SNKCOJ.