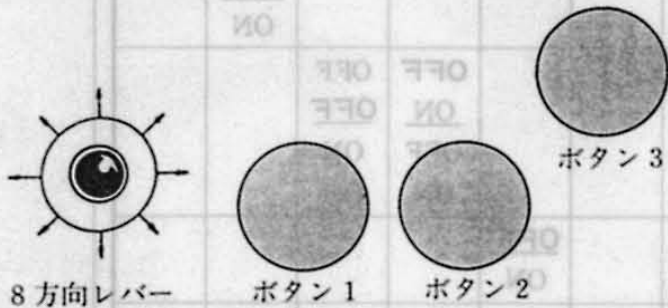


SIDE ARMS

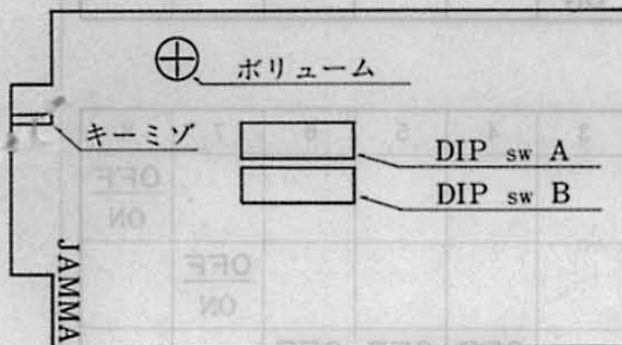
●設置の概要

- 基板コネクタ JAMMA規格
- CRTモニタ 横画面
- コントロールパネルの配置

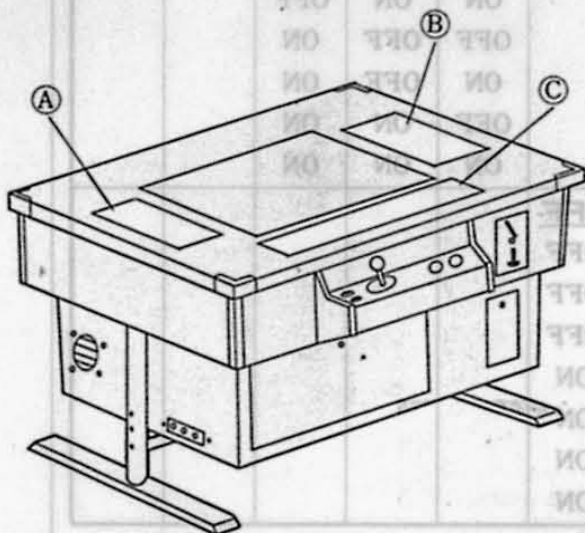


- ボタン1……左方向発射ボタン
- ボタン2……右方向発射ボタン
- ボタン3……武器選択ボタン

○DIP sw の位置



○付属の遊び方シールの位置



半田名	部品名
GND A 1	GND
GND B 2	GND
+5V C 3	+5V
+5V D 4	+5V
-5V E 5	-5V
+12V F 6	+12V
H 7	
COIN COUNTER 2 J 8	COIN COUNTER 1
COIN LOCK OUT 2 K 9	COIN LOCK OUT 1
SP (-) L 10	SP (+)
N·C M 11	N·C
VIDEO GREEN N 12	VIDEO RED
VIDEO SYNC P 13	VIDEO BLUE
SERVICE SW R 14	VIDEO GND
N·C S 15	N·C
COIN SW 2 T 16	COIN SW 1
START SW 2 U 17	START SW 1
2P CONTROL 1UP V 18	1P CONTROL 1UP
2P CONTROL 2DOWN W 19	1P CONTROL 2DOWN
2P CONTROL 3LEFT X 20	1P CONTROL 3LEFT
2P CONTROL 4RIGHT Y 21	1P CONTROL 4RIGHT
2P CONTROL 5PUSH 1 Z 22	1P CONTROL 5PUSH 1
2P CONTROL 6PUSH 2 a 23	1P CONTROL 6PUSH 2
2P CONTROL 7PUSH 3 b 24	1P CONTROL 7PUSH 3
N·C c 25	N·C
N·C d 26	N·C
GHD e 27	GHD
GHD f 28	GHD

●部品名

CR7-56DA-3.96 : HIROSE
1168-056-009: KEL

「サイド アーム」 DIP SWITCH設定表

DIP sw A

項目	内 容		1	2	3	4	5	6	7	8
テスト モード	ノ	マール Normal								OFF ON
画面 反転	テ	ス ト Test								OFF ON
BONUS PLAYER	10万点のみ	100,000 points					OFF	OFF		
	10万点	& EVERY 10万点					ON	OFF		
	15万点	& EVERY 10万点					OFF	ON		
	20万点	& EVERY 10万点					ON	ON		
PLAYER の 数	3	機 (ノーマル) Normal				OFF				
	5	機				ON				
Difficulty 難易度	レベル	1 易 Easy	OFF	OFF	OFF					
		2	ON	OFF	OFF					
		3	OFF	ON	OFF					
		4 ノーマル Normal	ON	ON	OFF					
		5	OFF	OFF	ON					
		6	ON	OFF	ON					
		7	OFF	ON	ON					
		8 難 Hard	ON	ON	ON					

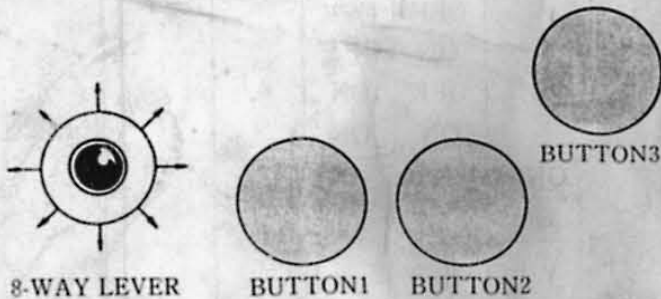
DIP sw B

項目	内 容		1	2	3	4	5	6	7	8
デモ時 の音楽	Yes	有 り (ノーマル) Normal								OFF ON
	No	無 し								
コンテ イニユ	Yes	有 り (ノーマル) Normal								OFF ON
	No	無 し								
Coin コイン	1	コイン / 1 クレジット Credit				OFF	OFF	OFF		
	1	/ 2				ON	OFF	OFF		
	1	/ 3				OFF	ON	OFF		
	1	/ 4				ON	ON	OFF		
	2	1 / 6				OFF	OFF	ON		
	2	2 / 1				ON	OFF	ON		
	3	3 / 1				OFF	ON	ON		
	4	4 / 1				ON	ON	ON		
Coins コイン	1	コイン / 1 クレジット credit	OFF	OFF	OFF					
	1	/ 2	ON	OFF	OFF					
	1	/ 3	OFF	ON	OFF					
	1	/ 4	ON	ON	OFF					
	1	/ 6	OFF	OFF	ON					
	2	1 / 1	ON	OFF	ON					
	3	3 / 1	OFF	ON	ON					
	4	4 / 1	ON	ON	ON					

※ 出荷時はアンダーラインの状態に設定されています。

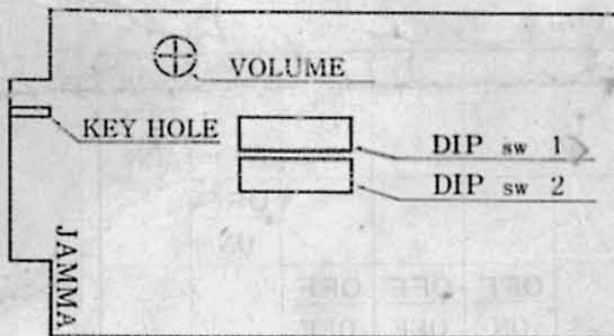
OUTLINE-SIDE ARMS

- P.C.B. CONNECTOR
STANDARD OF JAMMA
- CRT MONITOR
HORIZONTAL SCREEN
- CONTROL PANEL



- BUTTON1.....FIRE BUTTON TO THE LEFT
- BUTTON2.....FIRE BUTTON TO THE RIGHT
- BUTTON3.....SELECT BUTTON FOR WEAPON

- DIP sw POSITION



STANDARD OF JAMMA

SOLDER SIDE			COMPONENT SIDE	
GND	A	1	GND	
GND	B	2	GND	
+5V	C	3	+5V	
+5V	D	4	+5V	
N.C.	E	5	N.C.	
+12V	F	6	+12V	
	H	7		
COIN COUNTER 2	J	8	COIN COUNTER 1	
COIN LOCK OUT 2	K	9	COIN LOCK OUT 1	
SP (-)	L	10	SP (+)	
N.C.	M	11	N.C.	
VIDEO GREEN	N	12	VIDEO RED	
VIDEO SYNC	P	13	VIDEO BLUE	
SERVICE SW	R	14	VIDEO GND	
N.C.	S	15	N.C.	
COIN SW 2	T	16	COIN SW 1	
START SW 2	U	17	START SW 1	
2P CONTROL UP	V	18	1P CONTROL UP	
2P CONTROL DOWN	W	19	1P CONTROL DOWN	
2P CONTROL LEFT	X	20	1P CONTROL LEFT	
2P CONTROL RIGHT	Y	21	1P CONTROL RIGHT	
2P CONTROL PUSH 1	Z	22	1P CONTROL PUSH 1	
2P CONTROL PUSH 2	a	23	1P CONTROL PUSH 2	
2P CONTROL PUSH 3	b	24	1P CONTROL PUSH 3	
N.C.	c	25	N.C.	
N.C.	d	26	N.C.	
GND	e	27	GND	
GND	f	28	GND	

● COMPONENT

CR7-56DA-3.96 : HIROSE
1168-056-009 : KEL

DIP sw — SIDE ARMS

DIP sw 1

ITEM	DESCRIPTION	1	2	3	4	5	6	7	8
TEST MODE	NORMAL								<u>OFF</u>
	TEST								ON
SCREEN FLIP	NORMAL								<u>OFF</u>
	FLIP								ON
BONUS PLAYER	ONLY 100,000						<u>OFF</u>	<u>OFF</u>	
	100,000 & EVERY 100,000						ON	OFF	
	150,000 & EVERY 150,000						OFF	ON	
	200,000 & EVERY 200,000						ON	ON	
NUMBER OF PLAYERS	3PLAYERS(NORMAL)				<u>OFF</u>				
	5PLAYERS				ON				
DIFFICULTY (LEVEL)	LEVEL 1 EASY(LEVEL1)	<u>OFF</u>	<u>OFF</u>	<u>OFF</u>					
	2	ON	OFF	OFF					
	3	OFF	ON	OFF					
	4 NORMAL(LEVEL4)	<u>ON</u>	<u>ON</u>	<u>OFF</u>					
	5	OFF	OFF	ON					
	6	ON	OFF	ON					
	7	OFF	ON	ON					
	8 DIFFICULT(LEVEL8)	ON	ON	ON					

DIP sw 2

ITEM	DESCRIPTION	1	2	3	4	5	6	7	8
DEMO	YES(NORMAL)								<u>OFF</u>
	NO								ON
CONTINUE MODE	YES(NORMAL)							<u>OFF</u>	
	NO							ON	
COIN	1 COIN / 1 CREDIT				<u>OFF</u>	<u>OFF</u>	<u>OFF</u>		
	1 / 2				ON	OFF	OFF		
	1 / 3				OFF	ON	OFF		
	1 / 4				ON	ON	OFF		
	2 / 6				OFF	OFF	ON		
	2 / 1				ON	OFF	ON		
	3 / 1				OFF	ON	ON		
	4 / 1				ON	ON	ON		
COIN	1 COIN / 1 CREDIT	<u>OFF</u>	<u>OFF</u>	<u>OFF</u>					
	1 / 2	ON	OFF	OFF					
	1 / 3	OFF	ON	OFF					
	1 / 4	ON	ON	OFF					
	1 / 6	OFF	OFF	ON					
	2 / 1	ON	OFF	ON					
	3 / 1	OFF	ON	ON					
	4 / 1	ON	ON	ON					

*BEING SET IN THE CONDITION OF THE UNDERLINED ON DELIVERY.

SIDE ARMS

87/82/28

WIRING DIAGRAM

SOLDER SIDE		PARTS SIDE	
CND	1	CND	1
CND	2	CND	2
+5V	3	+5V	3
+5V	4	+5V	4
N.C	5	N.C	5
+12V	6	+12V	6
N.C	7	N.C	7
COIN COUNTER 2	8	COIN COUNTER 1	8
COIN LOCK OUT2	9	COIN LOCK OUT1	9
SPEAKER(-)	10	SPEAKER(+)	10
N.C	11	N.C	11
VIDEO GREEN	12	VIDEO RED	12
VIDEO SYNC	13	VIDEO BLUE	13
SERVICE SWITCH	14	VIDEO GND	14
N.C	15	N.C	15
COIN SWITCH 2	16	COIN SWITCH 1	16
START SWITCH 2	17	START SWITCH 1	17
2P UP	18	1P UP	18
2P DOWN	19	1P DOWN	19
2P LEFT	20	1P LEFT	20
2P RIGHT	21	1P RIGHT	21
2P PUSH 1	22	1P PUSH 1	22
2P PUSH 2	23	1P PUSH 2	23
2P PUSH 3	24	1P PUSH 3	24
N.C	25	N.C	25
N.C	26	N.C	26
CND	27	CND	27
CND	28	CND	28

DIP SW A		1	2	3	4	5	6	7	8
TEST MODE	NORMAL								OFF
	TEST								ON
SCREEN	NORMAL								OFF
	REVERSE								ON
BONUS	100000					OFF	OFF		
	100000 EVERY 100000					ON	OFF		
	150000 EVERY 100000					OFF	ON		
	200000 EVERY 100000					ON	ON		
PLAYERS	3					OFF			
	5					ON			
DIFFICULTY	DIFFICULT	1	2	3	4	5	6	7	8
		OFF	OFF	OFF					
		ON	OFF	OFF					
		OFF	ON	OFF					
		ON	ON	OFF					
		OFF	OFF	ON					
		ON	OFF	ON					
		OFF	ON	ON					
		ON	ON	ON					

DIP SW B		1	2	3	4	5	6	7	8
DEMO SOUND	NORMAL								OFF
	NOT								ON
CONTINUE	NORMAL								OFF
	NOT								ON
COIN 2	1COIN 1PLAY				OFF	OFF	OFF		
	1COIN 2PLAY				ON	OFF	OFF		
	1COIN 3PLAY				OFF	ON	OFF		
	1COIN 4PLAY				ON	ON	OFF		
	1COIN 6PLAY				OFF	OFF	ON		
	2COIN 1PLAY				ON	OFF	ON		
	3COIN 1PLAY				OFF	ON	ON		
	4COIN 1PLAY				ON	ON	ON		
COIN 1	1COIN 1PLAY	OFF	OFF	OFF					
	1COIN 2PLAY	ON	OFF	OFF					
	1COIN 3PLAY	OFF	ON	OFF					
	1COIN 4PLAY	ON	ON	OFF					
	1COIN 6PLAY	OFF	OFF	ON					
	2COIN 1PLAY	ON	OFF	ON					
	3COIN 1PLAY	OFF	ON	ON					
	4COIN 1PLAY	ON	ON	ON					