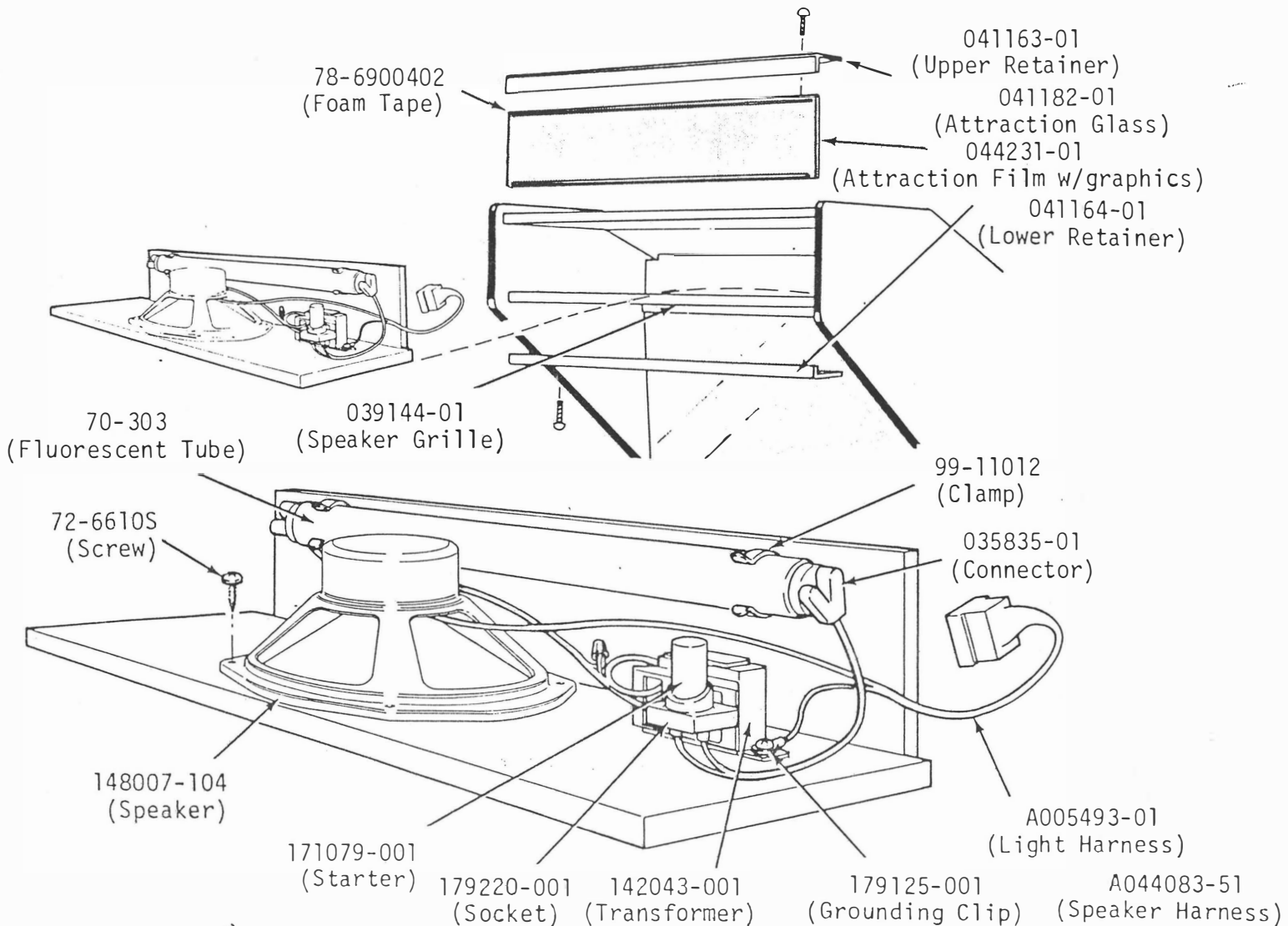


# Fluorescent Light and Speaker Board For Rolling Thunder\* Games Built in Ireland



## NOTE

To make sure that the fluorescent tube starts, check that the ground wire is firmly attached to the ballast transformer.

FLUORESCENT TUBE AND SPEAKER BOARD ASSEMBLY

A041167-51 A

FLUORESCENT TUBE AND SPEAKER BOARD ASSEMBLY  
PARTS LIST

A041167-51

---

Part No.	Description
A044083-51	Speaker Harness Assembly
A005493-01	Tube Harness Assembly
70-303	1-Inch Diameter, 18-Inch Cool White Fluorescent Tube
72-6610S	No. 6 x 5/8-Inch Type-AB Cross-Recessed Pan-Head Self Tapping Screw
78-6900402	Vinyl Foam Single Coated Adhesive Tape
171079-001	Fluorescent Tube Starter
179220-001	Starter Socket
99-11012	Fluorescent Tube Clamp
035835-01	12-Inch Y-Lead Connector
039144-01	Speaker Grille
041182-01	Attraction Glass
044231-01	Attraction Film with Graphics
041163-01	Upper Attraction Glass Retainer
041164-01	Lower Attraction Glass Retainer
142043-001	Ballast Transformer, 50HZ 240V
148007-104	Speaker 8 Ohm
179125-001	Grounding Clip

---