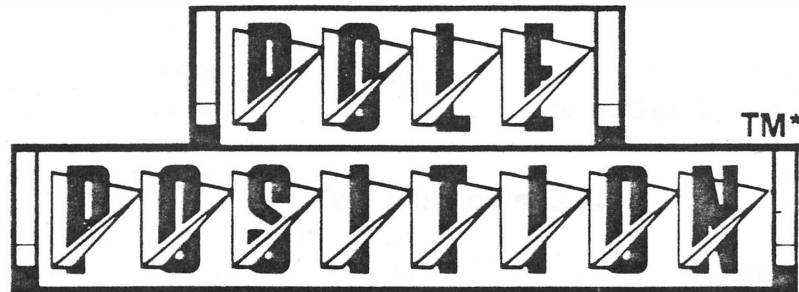


Supplement to



Operation, Maintenance, and Service Manual (TM-218) and Schematic Package (SP-218)

This supplement documents the Pole Position Compact cabinet. Most of the Compact cabinet is similar to the Upright cabinet; however, features that are unique to the Compact cabinet are illustrated on the following pages.



Table of Contents

Installation Specifications	1
Pole Position Compact Main Wiring Diagram	2

Illustrated Parts Lists

Cabinet-Mounted Assemblies	3
Control Panel Assembly	5
Fluorescent Tube and Speaker Assembly	7
Video Display Removal	8
Printed-Circuit Board Mounting Hardware	9
Power Supply Assembly	10

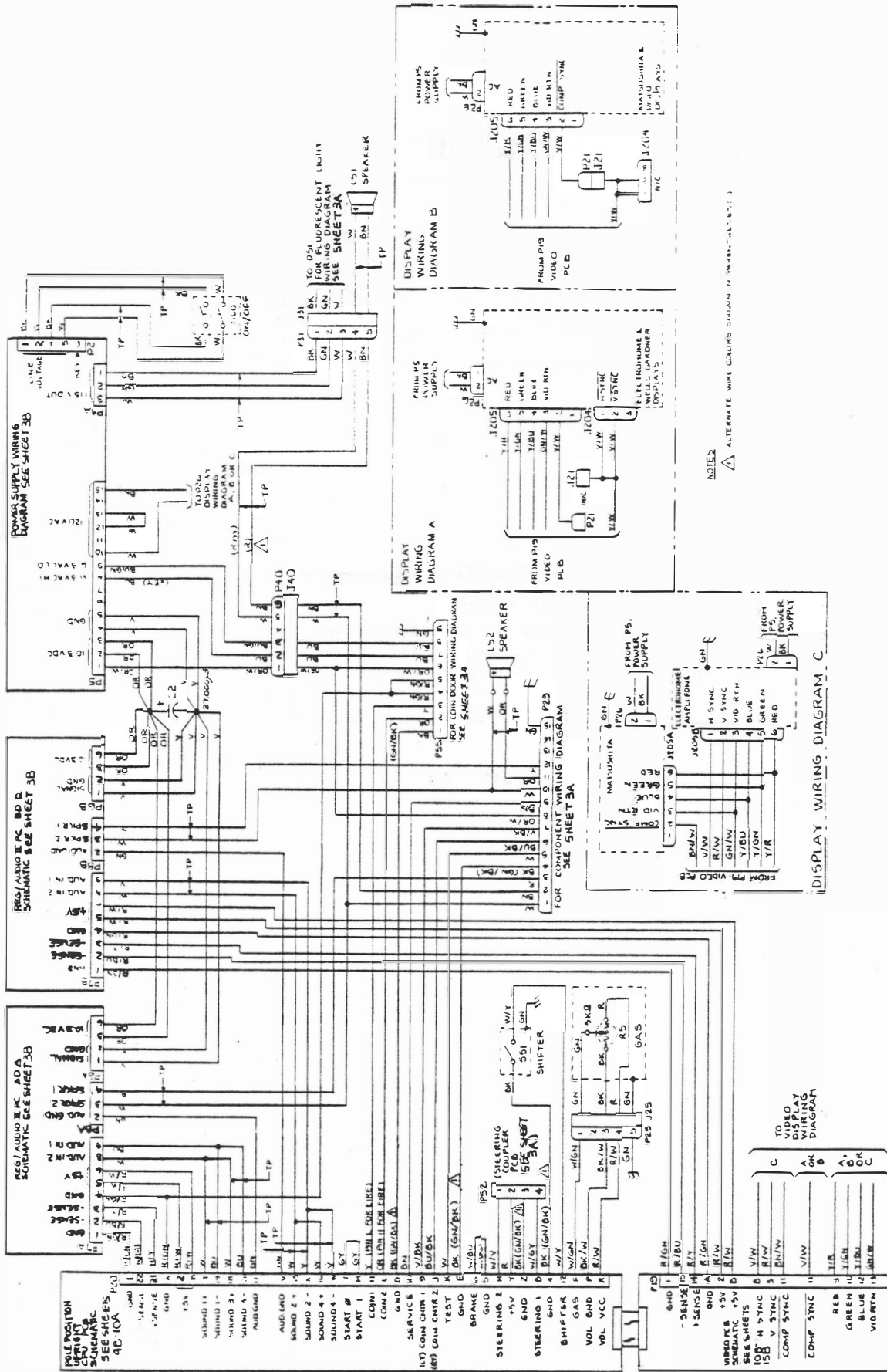
Installation Specifications

Power	250 W
Temperature	0° to +38°C (+32° to +100°F)
Humidity	Not over 95% relative
Space Required	60.7 × 71 cm (23 ⁷ / ₈ × 27 ¹⁵ / ₁₆ in.)
Game Height	170 cm (66 ¹⁵ / ₁₆ in.)

 **WARNING** 

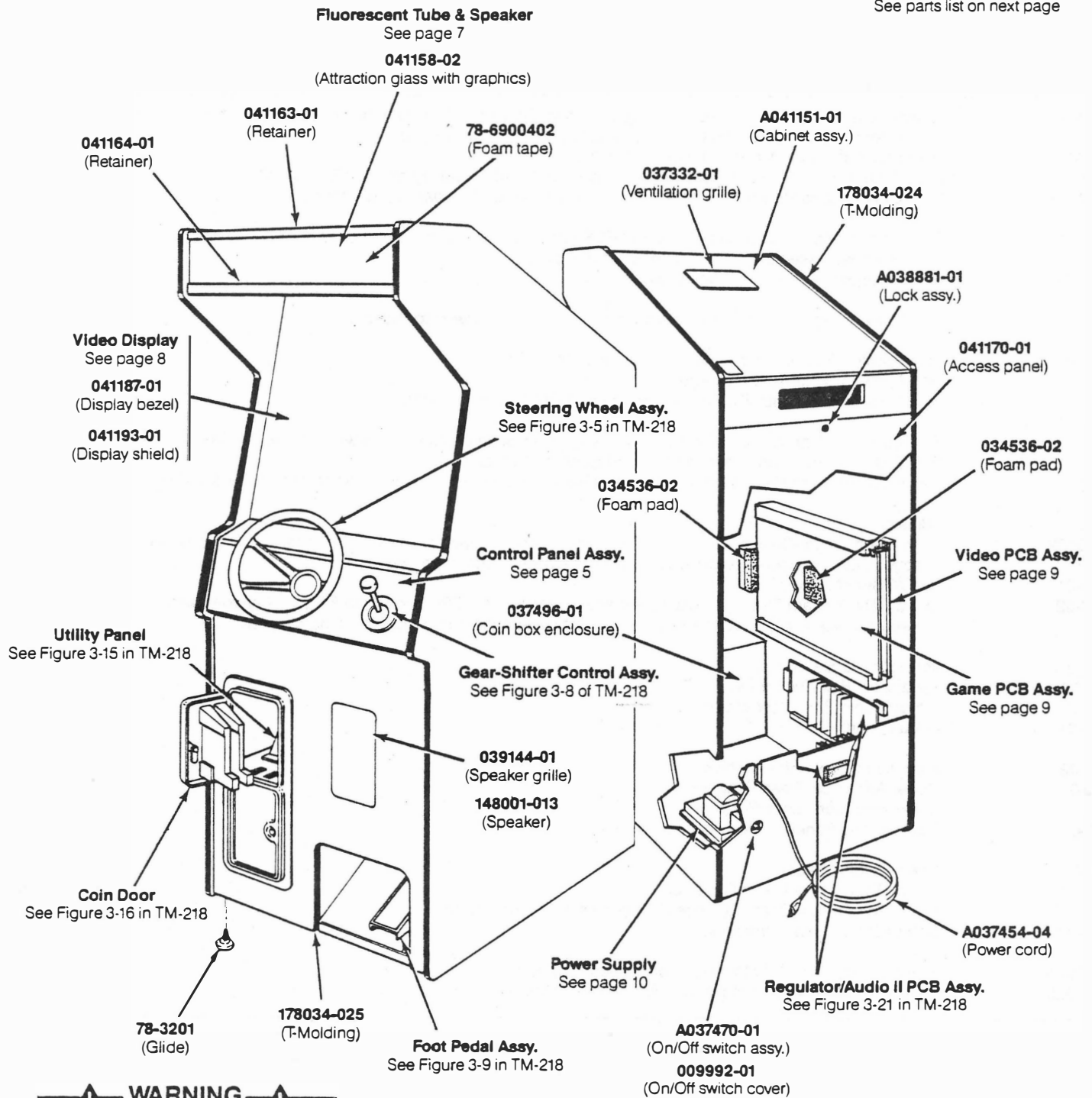
Shock Hazard

Do not plug in the game! Refer to the Pole Position Operation, Maintenance, and Service Manual, TM-218, Chapter 1B, for instructions on inspecting the game.



Pole Position Compact Wiring Diagram
Revision H

Technical Documentation—
See parts list on next page



⚠ WARNING ⚠
Shock Hazard

This game should only be connected to a grounded 3-wire outlet. If you have only a 2-wire outlet, we recommend you hire a licensed electrician to install a grounded outlet. You may receive an electrical shock if the game is not properly grounded!

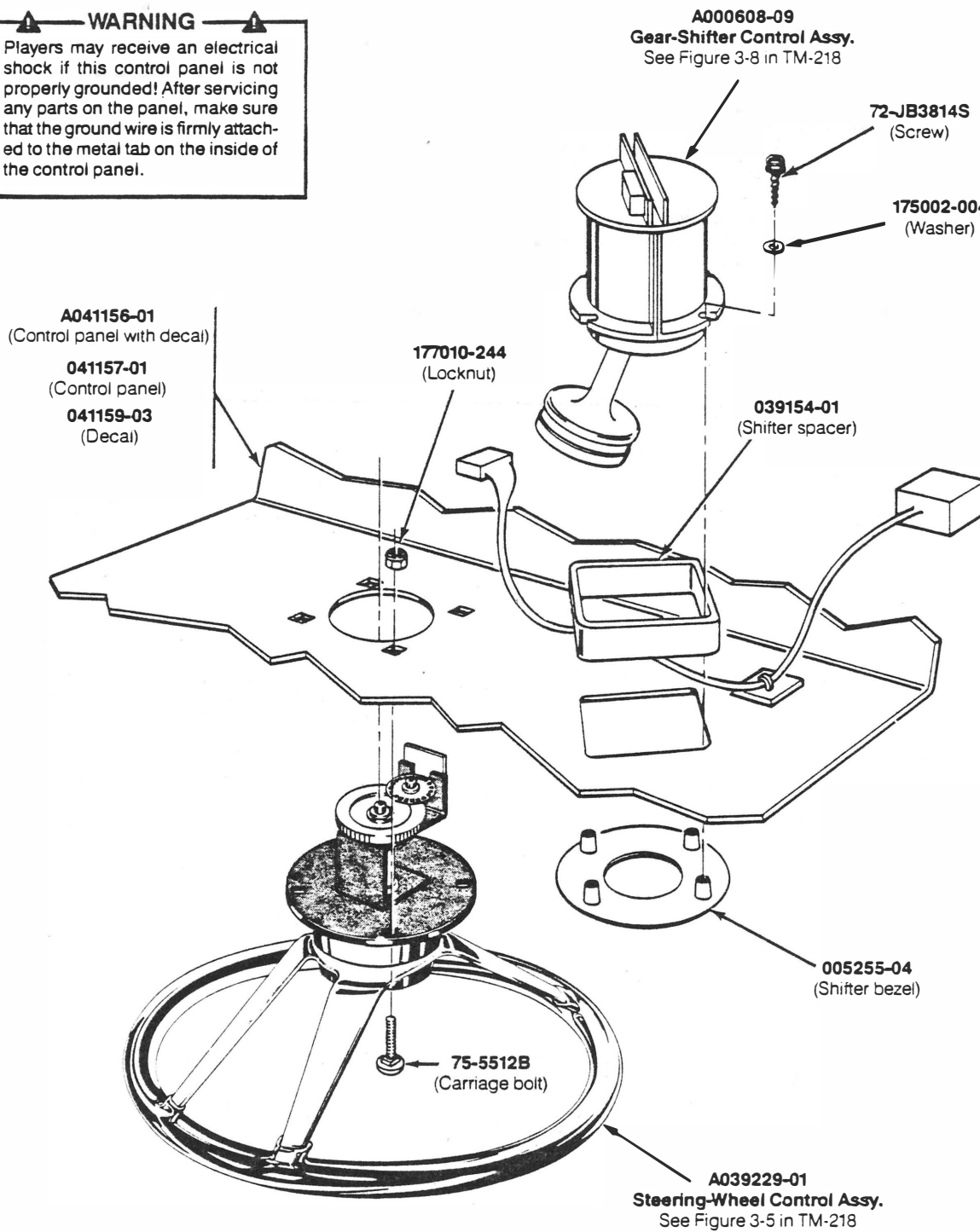
Cabinet-Mounted Assemblies
Compact Cabinet A041150-01 A

Cabinet-Mounted Assemblies Compact Cabinet Parts List

<i>Part No.</i>	<i>Description</i>
A037454-04	Strain-Relief Power Cord (<i>Austria, Belgium, Chile, Denmark, Finland, France, Germany, Greece, Indonesia, Italy, Netherlands, Norway, Spain, Sweden, and Uruguay</i>)
A037470-01	Power On/Off Switch/Mounting Plate Assembly
A038881-01	Lock Assembly (<i>for rear access panel</i>) <i>Acceptable substitute is part no. A038881-03</i>
A039655-01	Coin Option Interconnect Assembly (<i>in the plastic bag on the rear access panel</i>)
A041151-01	Cabinet Assembly (<i>includes glides and PCB retainers, but not the rear access panel</i>)
A041270-01	Main Harness Assembly (<i>for U.S. PCB—not shown</i>)
A041271-01	Power Harness Assembly (<i>not shown</i>)
<i>The following six items are technical information supplements to this game:</i>	
CO-218-10	Pole Position Supplement (<i>Compact cabinet parts lists</i>)
SP-218	Pole Position Schematic Package
ST-218-01	Pole Position Label with Self-Test Procedure and Option Switch Settings
TM-160	Service Manual for 19-Inch Electrohome Color Raster-Scan Display (<i>use with part no. 92-049</i>)
TM-218	Pole Position Operation, Maintenance, and Service Manual
TM-220	Service Manual for 19-Inch Matsushita Color Raster-Scan Display (<i>use with part no. 139003-1004</i>)
78-3201	Adjustable Glide
78-6900402	Vinyl Foam Single-Coated Adhesive Tape, 1/4-Inch Wide x 1/8-Inch Thick (<i>69 inches required; used on top edge of control panel and on top and bottom edges of attraction glass</i>)
009992-01	On/Off Switch Cover
034536-02	1/2-Inch Thick Foam Pad (<i>4 required—place 1 between the CPU and Video PCBs, 1 between each Regulator/Audio PCB and the cabinet, and 1 between the game PCBs and the cabinet</i>)
037332-01	Ventilation Grille
037496-01	Metal Coin Box Enclosure
038091-01	Molded Coin Box (<i>not shown</i>)
039144-01	Speaker Grille
041158-02	Attraction Glass with Graphics
041163-01	Upper Attraction Glass Retainer
041164-01	Lower Attraction Glass Retainer
041170-01	Rear Access Panel (<i>does not include lock</i>)
041187-01	Video Display Bezel
041193-01	Video Display Shield with Graphics
148001-013	6- x 9-Inch Oval, 4-Ohm, 6-Ounce Shielded High-Fidelity Speaker
178013-001	Spring-Draw Latch (<i>not shown</i>)
178034-024	3/4-Inch Black Plastic T-Molding (<i>located on side panels</i>)
178034-025	2 5/32-Inch Black Plastic T-Molding (<i>located on front panel</i>)

WARNING

Players may receive an electrical shock if this control panel is not properly grounded! After servicing any parts on the panel, make sure that the ground wire is firmly attached to the metal tab on the inside of the control panel.



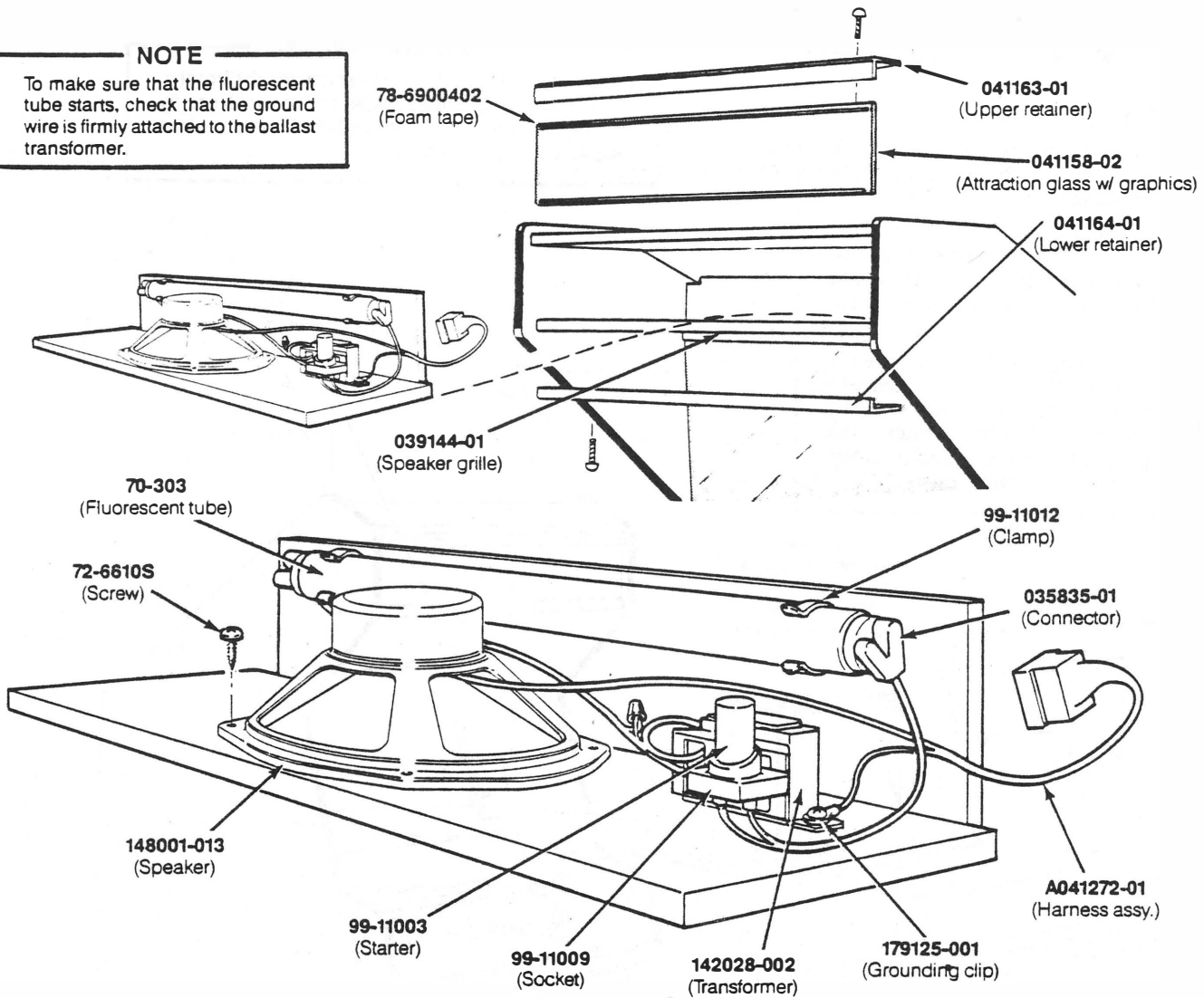
Control Panel Assembly
Compact Cabinet A041155-01 A

Control Panel Assembly Parts List

<i>Part No.</i>	<i>Description</i>
A000608-09	Gear-Shifter Control Assembly
A039229-01	Steering-Wheel Control Assembly
A041156-01	Control Panel with Decal <i>(consists of control panel 041157-01 and decal 041159-03)</i>
72-JB3814S	#8-16 x 0.87-Inch Plastite Screw
75-5512B	#1/4-20 x 3/4-Inch Black Carriage Bolt
78-6900402	Vinyl Foam Single-Coated Adhesive Tape, 1/4-Inch Wide x 1/8-Inch Thick <i>(not shown—place on top lip of control panel)</i>
005255-04	Shifter Bezel
039154-01	Shifter Spacer
175002-004	#10 Flat Washer
177010-244	#1/4-20 Hex Locknut

NOTE

To make sure that the fluorescent tube starts, check that the ground wire is firmly attached to the ballast transformer.



**Fluorescent Tube and Speaker Board Removal
Compact Cabinet A041167-01 A
Parts List**

Part No.	Description
A041272-01	Tube and Speaker Harness Assembly
70-303	1-Inch Diameter, 18-Inch Cool White Fluorescent Tube
72-6610S	#6 x 3/8-Inch Type-AB Cross-Recessed Pan-Head Self-Tapping Screw
78-6900402	Vinyl Foam Single-Coated Adhesive Tape, 1/4-Inch Wide x 1/8-Inch Thick (place on top and bottom edges of attraction glass)
99-11003	Fluorescent Tube Starter
99-11009	Starter Socket
99-11012	1 3/8-Inch Fluorescent Tube Clamp
035835-01	12-Inch Y-Lead Connector
039144-01	Speaker Grille
041158-02	Attraction Glass with Graphics
041163-01	Upper Attraction Glass Retainer
041164-01	Lower Attraction Glass Retainer
142028-002	50 Hz, 118 V, Ballast Transformer
148001-013	6 x 9-Inch Oval, 4-Ohm, 6-Ounce, Shielded High-Fidelity Speaker
179125-001	Grounding Clip (not shown)

WARNING

Shock Hazard

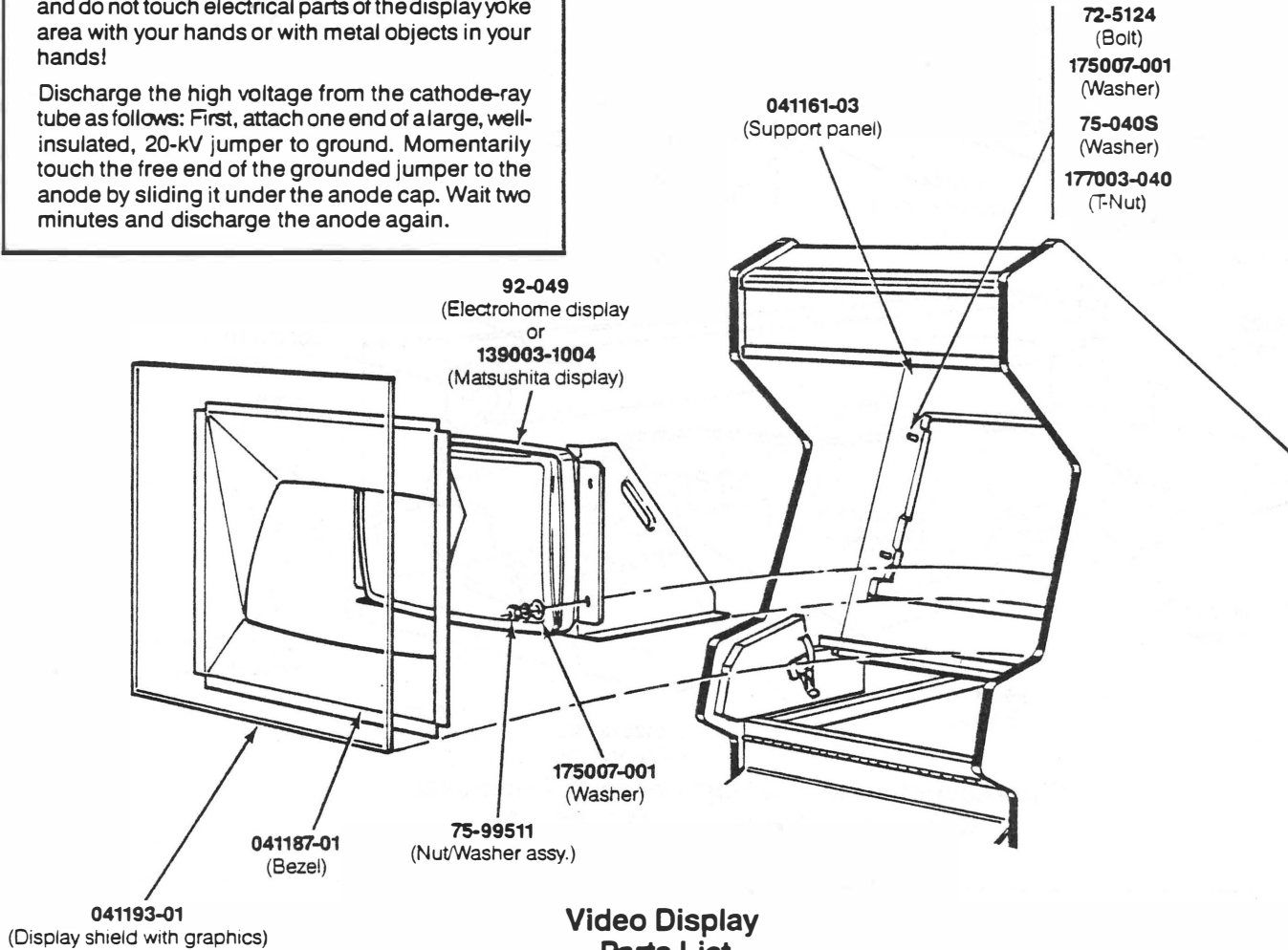
Display repair should only be performed by a *qualified* service technician. Before removing or repairing the video display, turn the game off.

High voltages may exist in any video display, even with power disconnected. Use extreme caution and do not touch electrical parts of the display yoke area with your hands or with metal objects in your hands!

Discharge the high voltage from the cathode-ray tube as follows: First, attach one end of a large, well-insulated, 20-kV jumper to ground. Momentarily touch the free end of the grounded jumper to the anode by sliding it under the anode cap. Wait two minutes and discharge the anode again.

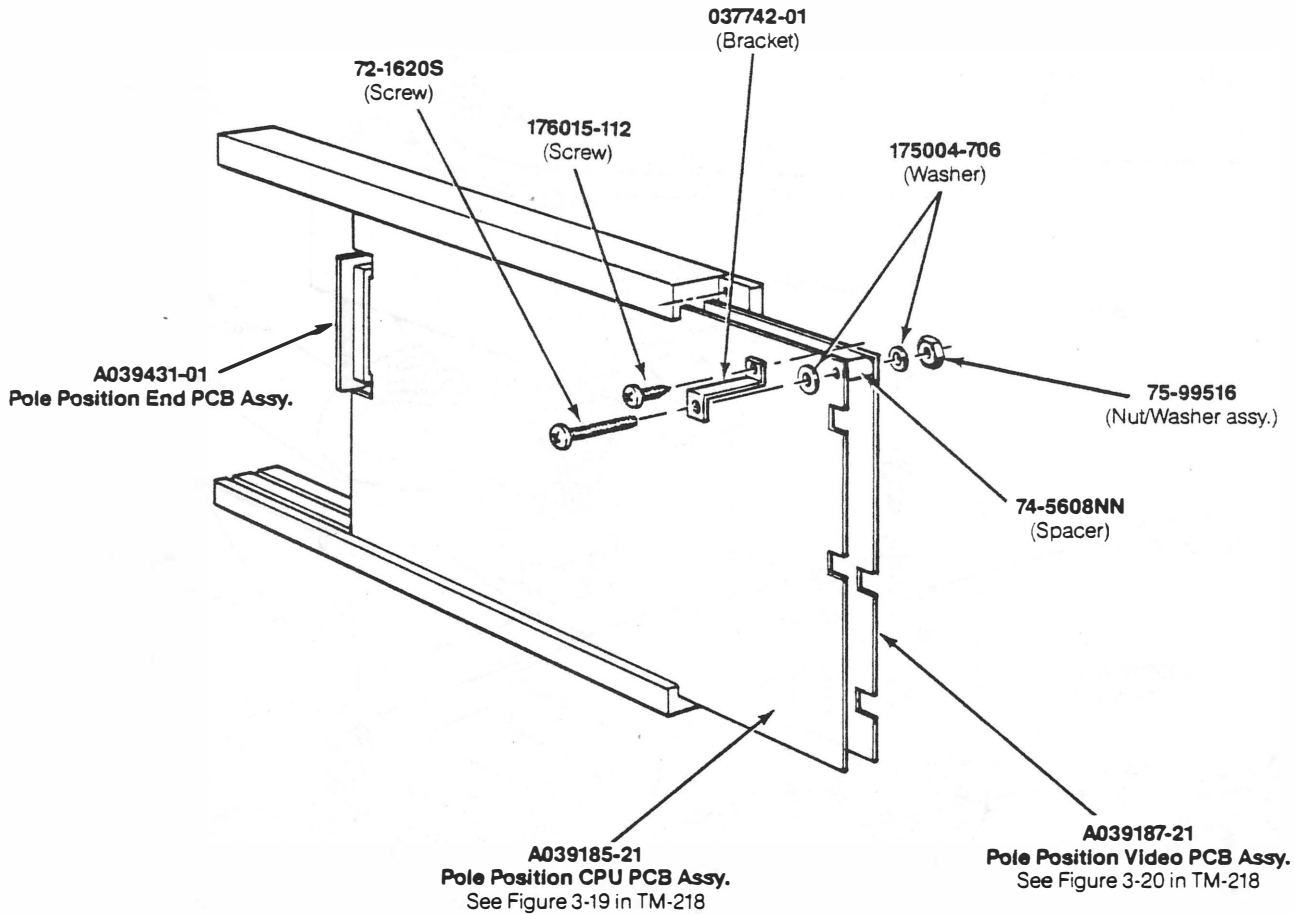
Implosion Hazard

If you drop the display and the picture tube breaks, it will implode! Shattered glass and the yoke can fly six feet or more from the implosion. Use care when replacing any display.



**Video Display
Parts List**

Part No.	Description
72-5124	#10-24 x 1 1/2-Inch Hex-Head Bolt
75-040S	#10 Lock Washer
75-99511	#10-24 Nut/Washer Assembly
92-049	19-Inch Electrohome Color Raster-Scan Display <i>Alternate display is part no. 139003-1004—19-Inch Matsushita Color Raster-Scan Display</i>
041161-03	Display Support Panel
041187-01	Display Bezel
041193-01	Display Shield with Graphics
175007-001	#10 Flat Fender Washer
177003-040	#10-24 T-Nut

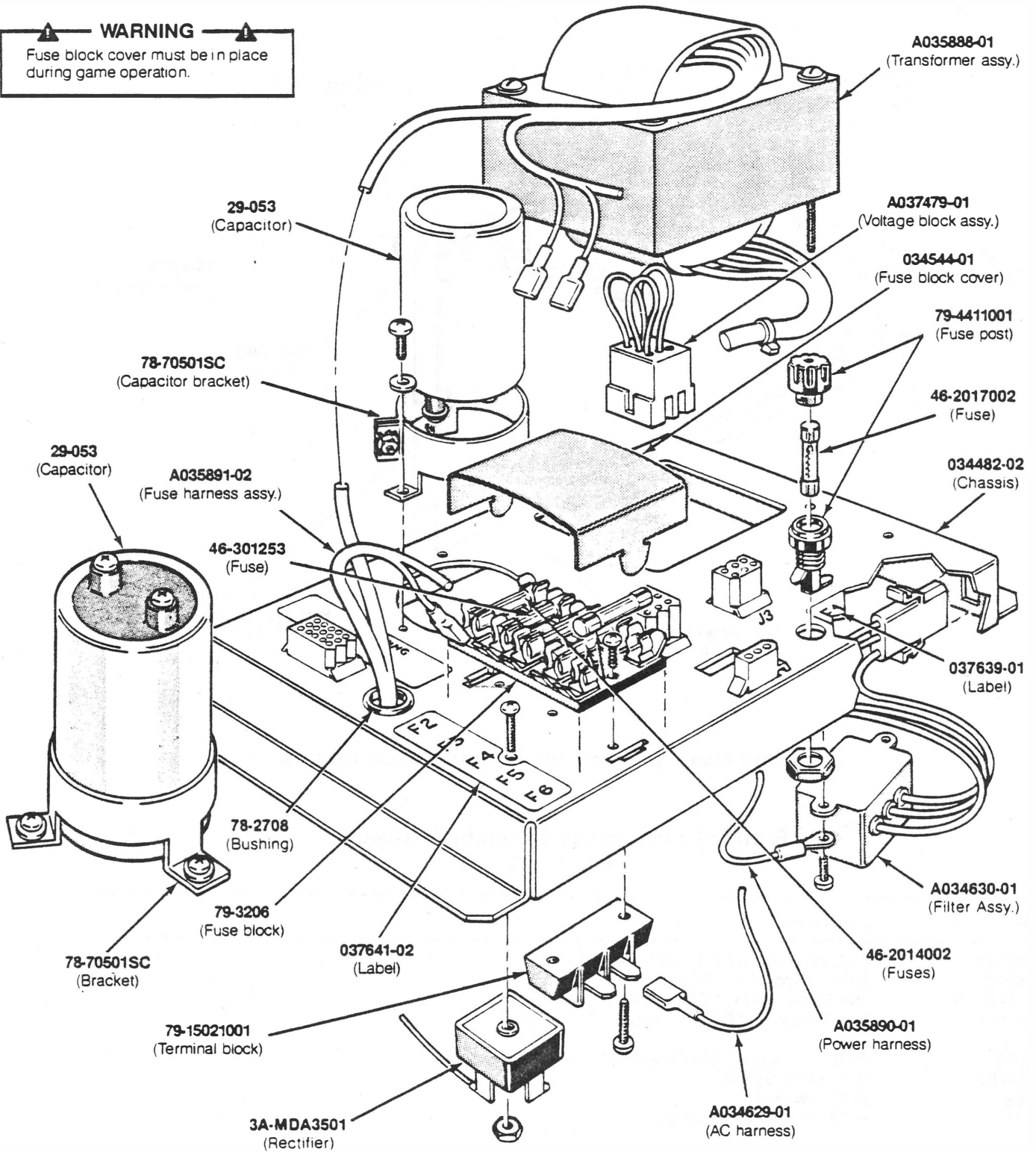


Hardware Used to Mount the Printed-Circuit Boards

Printed-Circuit Board Mounting Hardware Parts List

<i>Part No.</i>	<i>Description</i>
A035435-01	Regulator/Audio II PCB Assembly
A039185-21	Pole Position CPU PCB Assembly
A039187-21	Pole Position Video PCB Assembly
A039431-01	Pole Position End PCB Assembly
72-1620S	#6-32 x 1 1/4-Inch Cross-Recessed Pan-Head Steel Screw
74-5608NN	#6 x 1/2-Inch Spacer
75-016S	#6 Flat Washer
75-99516	#6-32 Nut/Washer Assembly
037742-01	PCB Mounting Bracket
175004-706	#6 Fiber Washer
175004-708	#8 Fiber Washer
176015-112	#10 x 3/4-Inch Cross-Recessed Pan-Head Screw

WARNING
 Fuse block cover must be in place during game operation.



**Color Raster-Scan Power Supply Assembly
 A037671-05 K**

Power Supply Assembly Parts List

<i>Designator</i>	<i>Description</i>	<i>Part No.</i>
C1	27,000 μ F, 15 VDC Electrolytic Capacitor	29-053
C1	2-Inch Diameter Capacitor Mounting Bracket	78-70501SC
CR1	Type-MDA 3501 Bridge Rectifier	3A-MDA3501
F1	Panel-Mounting Non-Indicating 3AG Cartridge-Type Fuse Post	79-4411001
F1	Label for Fuse Value	037639-01
F1	7 A, 250 V, 3AG Slow-Blow Glass Cartridge-Type Fuse	46-2017002
F2	4 A, 250 V, 3AG Slow-Blow Glass Cartridge-Type Fuse <i>Acceptable substitute is part no. 46-2014001</i>	46-2014002
F2-F6	5-Position 3AG Fuse Block with 1/4-Inch Quick-Disconnect Terminals	79-3206
F2-F6	Fuse Harness Assembly	A035891-02
F2-F6	Fuse Block Cover	034544-01
F2-F6	Label for Fuse Values	037641-02
F3	25 A, 32 V, 3AG Slow-Blow Glass Cartridge-Type Fuse	46-301253
F4	2-Circuit Single-Row Terminal Block (located under F4)	79-15021001
F4-F6	4 A, 250 V, 3AG Slow-Blow Glass Cartridge-Type Fuse <i>Acceptable substitute is part no. 46-2014001</i>	46-2014002
FL1	RFI Filter Assembly (designation not marked)	A034630-01
J2	Power Harness Assembly	A035890-01
J3	Voltage Block Assembly for 100 V (90-110 VAC) violet wire; 220 V (200-240 VAC) blue wire; and 240 V (220-260 VAC) brown wire	A037479-01
J4A	AC Harness Assembly	A034629-01
T1	Transformer Assembly (<i>designation covered—Acceptable substitute is part no. A035888-02</i>)	A035888-01
	Nylon Type 6/6 Hole Bushing with 5/8-Inch Inside Diameter x 5/64-Inch Outside Diameter x 1/4-Inch Thick	78-2708
	Power Supply Chassis Base	034482-02

