

# OPERATION WOLF

TM

Rescue hostages who are  
in captivity in a depot!



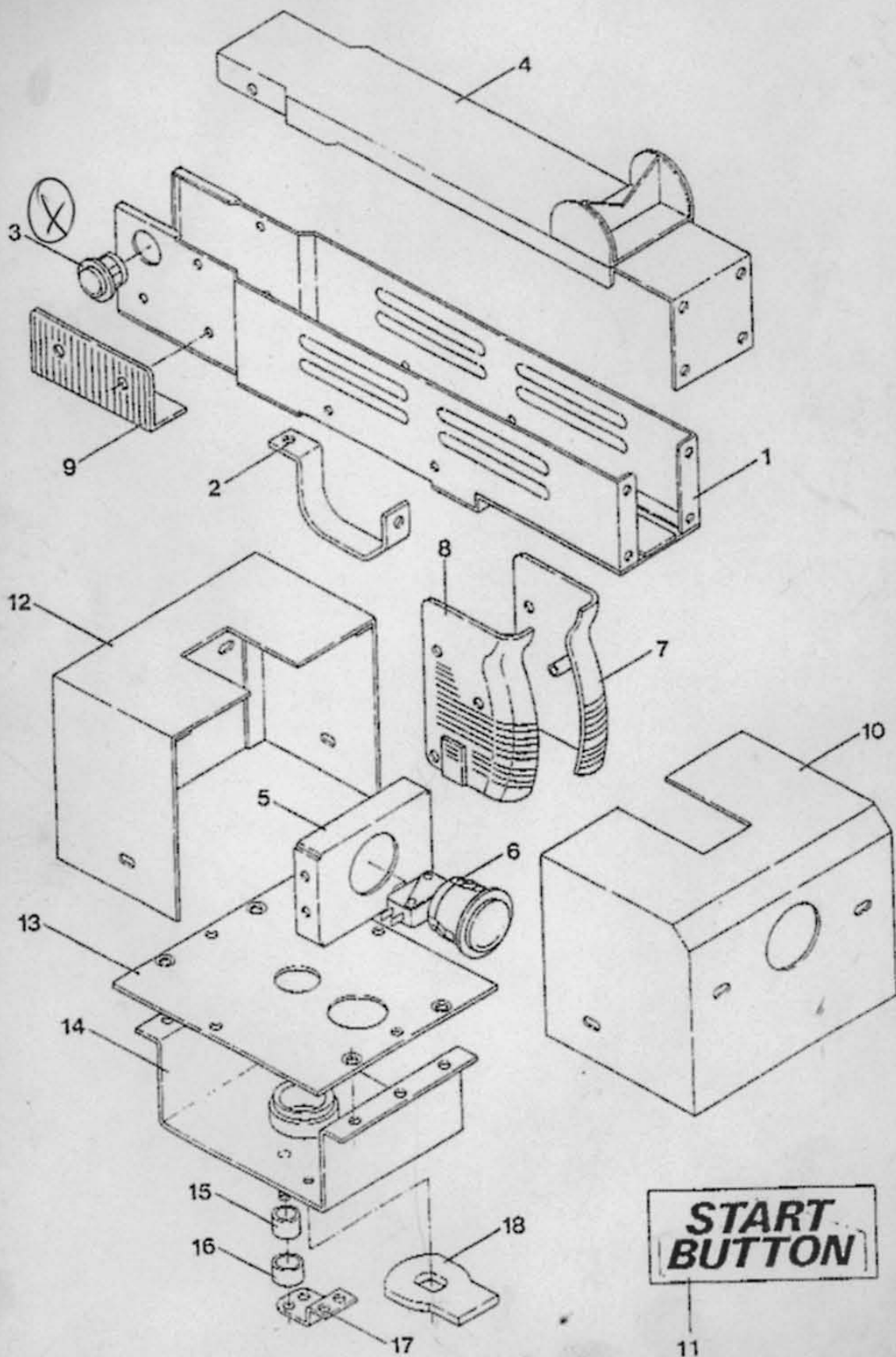
© TAITO CORP. 1987

## SERVICE INSTRUCTIONS AND PARTS CATALOGUE



### TAITO CORPORATION

# GUN ASSY



ITEM	PART NO.	DESCRIPTION
------	----------	-------------

GUN ASSY (M90 01241A)

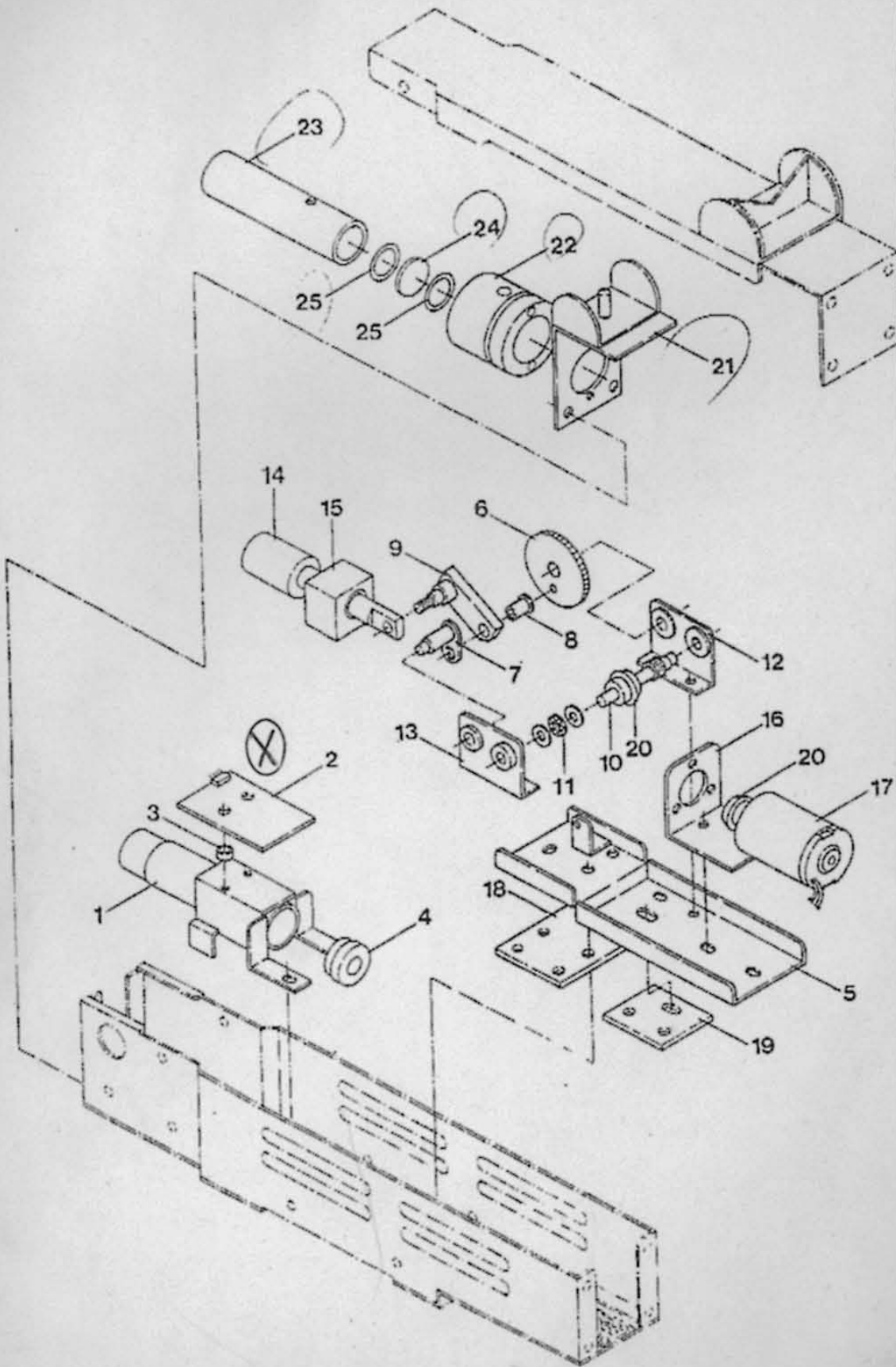
1	E30 05084A	GUN BODY A
2	E30 05082A	TRIGGER COVER
3	C02 0027 <sup>1</sup> / <sub>2</sub> A <sub>0</sub>	PUSH BUTTON DS-131 2P(RED) ⊗
4	E30 05085A	GUN BODY B
5	E30 05075A	BUTTON BRACKET
6	C02 00279A	PUSH BUTTON SWITCH ADS-802-C
7	F90 01447A	GRIP L
8	F90 01448A	GRIP R
9	F90 01449A	FAIR GRIP
10	E30 05072A	CASE A
11	G95 00302A	BUTTON STICKER
12	E30 05073A	CASE B
	M90 01244A	GRIP ASSY
	M90 01245A	SENSOR ASSY
	M90 01246A	MECHA ASSY
	M90 01247A	BARREL ASSY
	M90 01248A	GUN BASE ASSY A
	L30 00323A	K HARNESS

GUN BASE ASSY B (M90 01240A)

13	E90 00223A	UP BASE
14	E90 00224A	UNDER BASE
15	F90 01489A	STOPPER COVER
16	E10 00778A	OUTER STOPPER
17	E30 05095A	STOPPER SUPPORT
18	E30 04280A	CAM B(CABINET ASSY)

OPERATION WOLF

# GUN ASSY



ITEM	PART NO.	DESCRIPTION
SENSOR ASSY (M90 01245A)		
1	E90 00228A	SENSOR BASE
2	K91 00122A	SENSOR PC BOARD ASSY (X)
3	E10 00782A	SENSOR BOARD SPACER
4	F90 00788A	SENSOR HOLDER
MECHA ASSY (M90 01246A)		
5	E30 05071A	MECHA BASE
6	E70 00103A	SPUR GEAR
7	E10 00784A	CRANK L
8	E10 00761A	CRANK JOINT
9	E90 00218A	JOINT BAR
10	E70 00119A	GEAR & SHAFT
11	E60 00114A	THRUST BEARING SST-340 NMB
12	E30 05068A	CRANK BASE R
13	E30 05067A	CRANK BASE L
14	E10 00771A	WEIGHT SHAFT
15	F90 01450A	BLOCK
16	E30 05077A	MOTOR BRACKET
17	H90 00226A	PULLEY & MOTOR
18	E30 05338A	BASE SPACER A
19	E30 05339A	BASE SPACER B
20	F90 01620A	RUBBER
BARREL ASSY (M90 01247A)		
21	E90 00230A	GUN BODY C .
22	E10 00759A	BARREL SUPPORT
23	E10 00767A	BARREL
24	F90 00787A	LENS F=99.85
25	F10 00006A	O-RING P-18

# GUN ASSY

