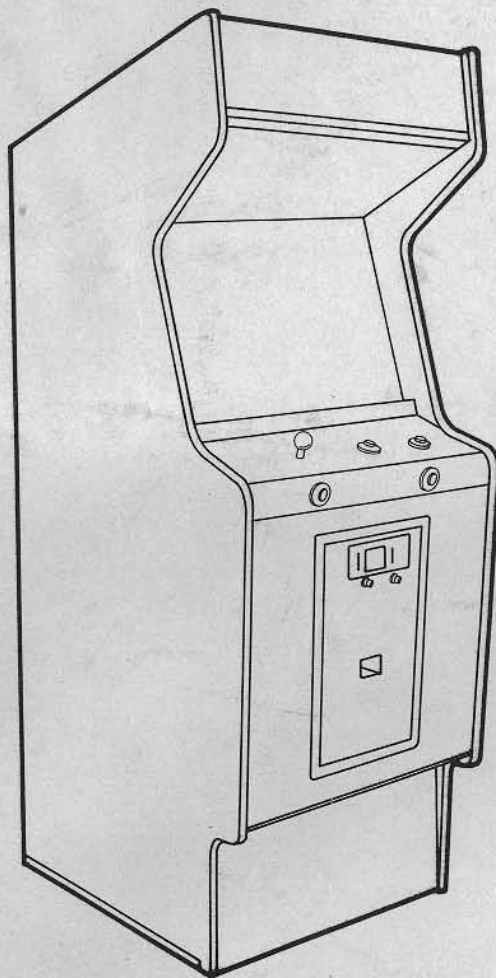


SEGA η - SUB

Service Manual & Parts Catalog



SEGA ENTERPRISES LTD.



CONTENTS

1. Installation -----	2
2. Care in Operation -----	2
3. IC Board (97201-P) Adjustments Coin Calculator -----	3
4. Color Monitor Adjustments -----	4 ~ 6
5. Parts Catalog -----	7 ~ 20

SPECIFICATIONS

* Space Requirer -----	638 mm x 703 mm
* Game Height -----	1722 mm
* CRT -----	20 Color TV
* Power Source -----	AC 100V ~ 240V
* Power -----	140 Watts

Note : These instructions and specifications may be changed without prior notification.

If this machine is reconstructed without our permission, we can not take responsibility for the machine.

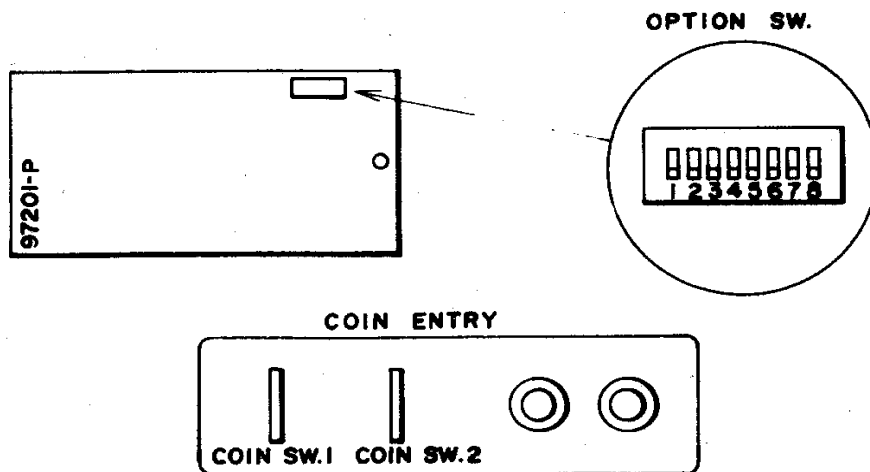
1 INSTALLATION

1. As the SEGA "N-SUB" is for "indoor use", do not install outdoors.
2. When installing, avoid the following places.
 - Near indoor pools or showers
 - Where leaks exist
 - Under direct sunlight
 - Near heaters or other heat emitting devices
 - Where hazardous items (volatile fluids, gas cylinders etc.)
 - Where vibrations are severe (near construction sites where jack hammers etc. are used)
 - Inclined places
 - Near fire extinguishing equipment
 - Near emergency exits

2 CARE IN OPERATION

1. Inspection
 - Are the IC boards and other connectors firmly connected.
 - Connect ground wire as prescribed. (Never connect to gas pipes, water pipes or electrical conduits)
 - Arrange line cords and ground wires in the aisle so they will not be tripped over.
2. Care in Handling
 - Always turn off the power supply switch before handling.
 - Avoid inserting and pulling the plug in rapid succession.
 - Do not check the IC board circuit with a tester.
3. Care in Usage
 - Care should be taken to avoid dragging or dropping the machine when transporting to prevent damage to the CRT.
 - Use fuse of stipulated rating.
 - As high voltage is present in the monitor and TV PCB, adjustments or repairs should be left up to a serviceman and should never be touched by the layman.
 - As color alignment may become disturbed due to terrestrial magnetism when the machine is moved or its direction changed, demagnetize the unit by pushing the demagnetizing switch.
 - Refrain from holding the steering wheel or shift lever when transporting the machine.

3. IC Board (9720I-P) Adjustments Coin Calculator



		ON: 0 OFF: X							
OPTION		1	2	3	4	5	6	7	8
COIN SW. 1	1 Coin 1 Play	0	X	X					
	2 Coins 1 Play	X	0	X					
	3 Coins 1 Play	0	0	X					
	4 Coins 1 Play	X	X	0					
	5 Coins 1 Play	0	X	0					
	6 Coins 1 Play	X	0	0					
	7 Coins 1 Play	0	0	0					
COIN SW. 2	1 Coin 1 Play	0	X	X					0
	2 Coins 1 Play	X	0	X					0
	3 Coins 1 Play	0	0	X					0
	4 Coins 1 Play	X	X	0					0
	5 Coins 1 Play	0	X	0					0
	6 Coins 1 Play	X	0	0					0
	7 Coins 1 Play	0	0	0					0
COIN SW. 2	1 Coin 1 Play				0	X	X	X	
	1 Coin 2 Plays				X	0	X	X	
	1 Coin 3 Plays				0	0	X	X	
	1 Coin 4 Plays				X	X	0	X	
	1 Coin 5 Plays				0	X	0	X	
	1 Coin 6 Plays				X	0	0	X	
	1 Coin 7 Plays				0	0	0	X	

NOT USED

4. Color Monitor Adjustments (NEC 20" Color Monitor)

Figure 1 Adjustable Controls on Neck PCB

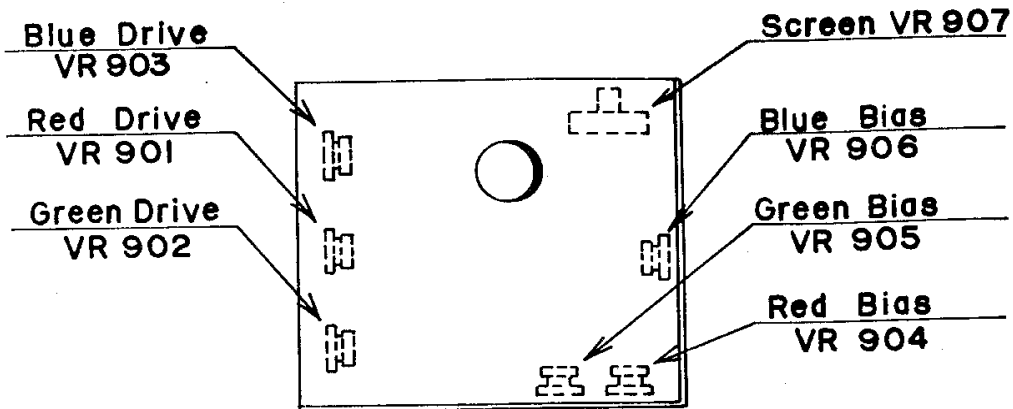
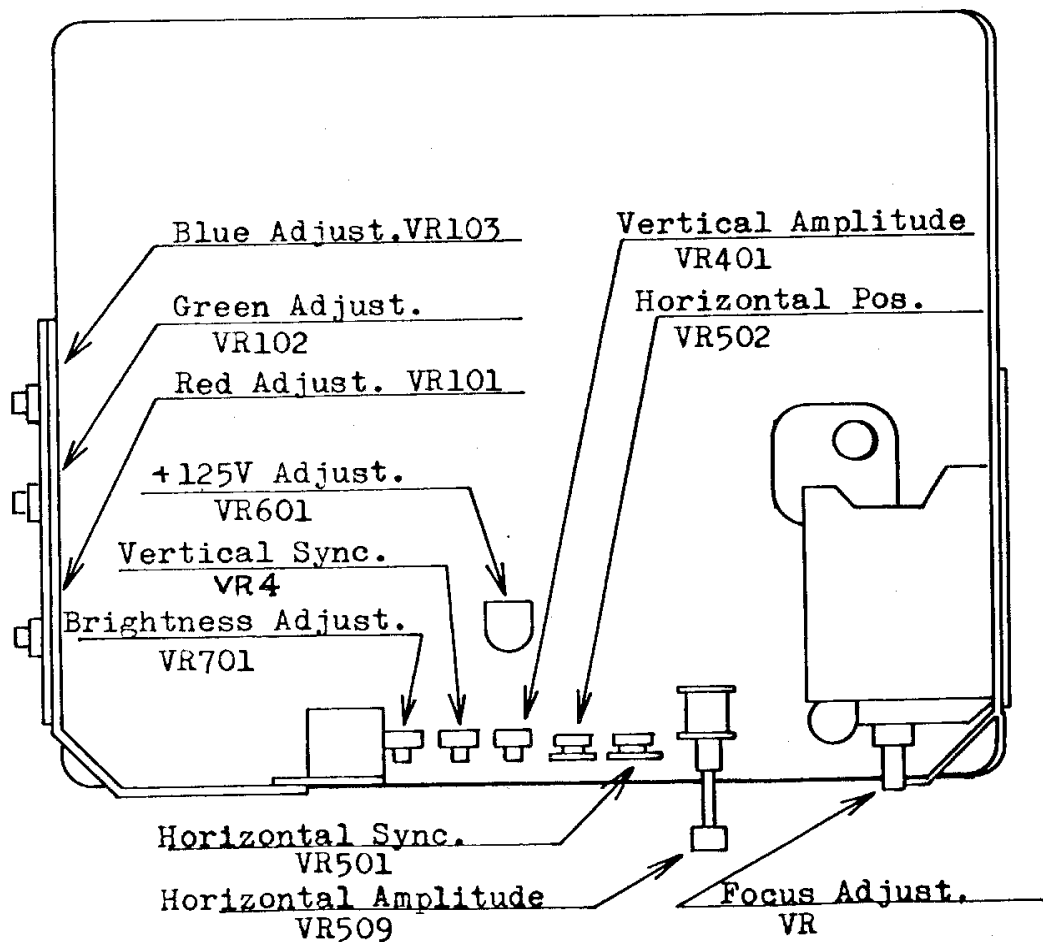


Figure 2 Adjustable Controls on Main PCB



* As the volume control has been preset at the factory, refrain from touching the controls unless absolutely necessary.

1. Brightness Adjustment (Sub-Bright R701)

The CRT beam current will increase to increase brightness when turned clockwise.

2. Horizontal Amplitude (Amplitude in vertical direction as the H-size VR509 CRT is in the vertical direction)

Turn coil core clockwise to increase amplitude. Amplitude will be minimum when the core is turned counter clockwise and is at the top of the bobbin.

3. Vertical Amplitude (Amplitude in horizontal direction as the V-size VR401 CRT is in the horizontal direction)

Turn dual directional horizontal amplitude control clockwise to increase amplitude.

4. Vertical Position Adjustment (Horizontal position adjustment as the CRT is in the vertical direction)

If the chip inserted in K502 is inserted in K501, the center of the picture will shift to the right.

If this chip is inserted in K503, the center of the picture will shift to the left.)

5. Vertical Sync. (Horizontal sync. as the V-Hold VR4 CRT is in the vertical direction)

This V-Hold control will stop flow of picture from left to right or right to left.

6. Horizontal Sync. (Vertical position adjustment as the H-Hold VR501 CRT is in the vertical direction)

This control is to obtain synchronism when the horizontal oscillations or frequency drifts and slanted lines appear.

Picture can be shifted down by turning this control clockwise within the range in which the picture will not commence to flow.

7. Setting the +B Voltage (VR601)

Adjust so the 125V line (TP91) is 15V. Turn clockwise to raise voltage.

8. Red Drive (R-Drive VR901), Blue Drive (B-Drive VR903)

Adjust mainly for bright white to white. When turned clockwise, it will be greenish (or bluish) white.

9. Red Bias (R-Bias VR904), Green Bias (G-Bias VR905), Blue Bias (B-Bias VR906)

These 3 controls are used mainly to adjust intermediate tones and white balance in the dark portions. When turned clockwise, this color will turn dark gray.

If the white balance adjustments in 8 and 9 are carried out while changing green and blue drive instead of independently, not only will the bright white change but the color tone of the gray portion will also change. Conversely, even if the red, green and blue drives are changed, the color tone of the bright white portion will change.

10. Screen Adjustment (Screen VR907)

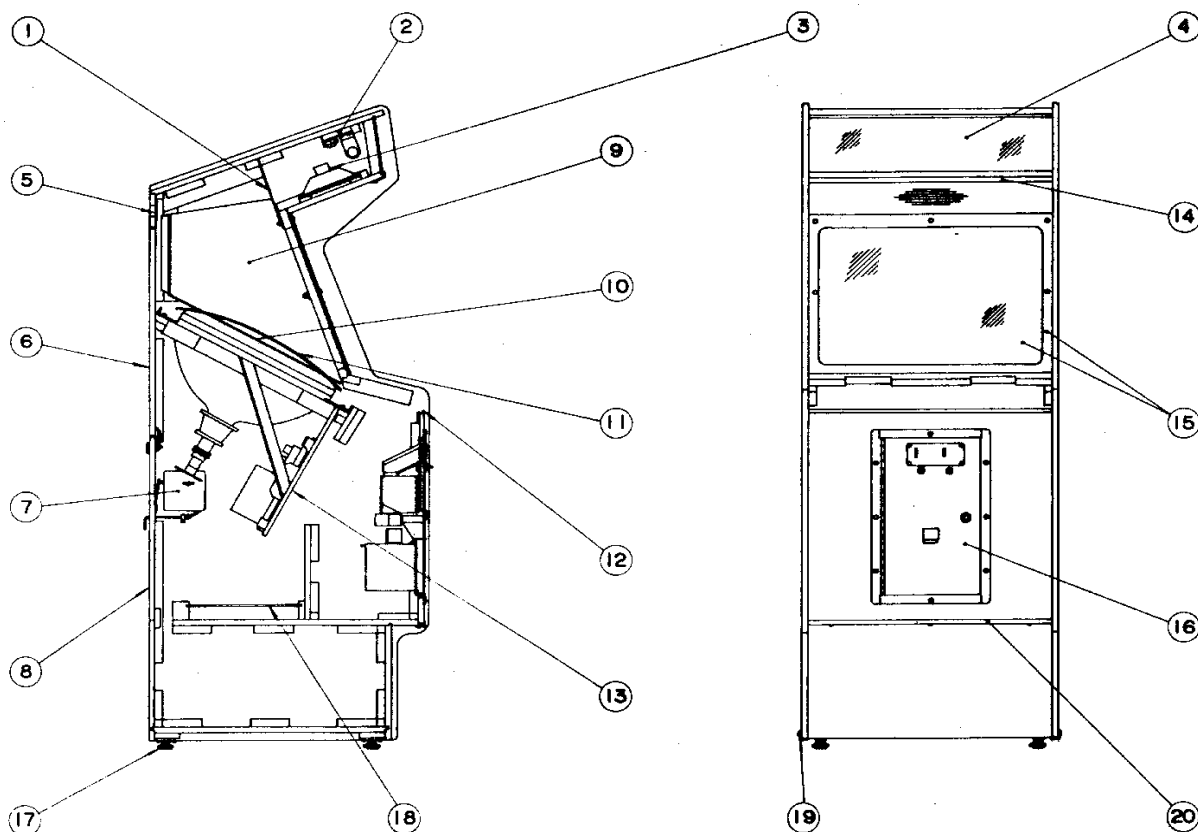
As in the case of the brightness adjustment, beam current will increase to increase brightness when this control is turned clockwise. However, as white balance will be destroyed if the screen adjustment control is moved excessively, it will be advisable to adjust brightness with the brightness control. After completing brightness white balance adjustments in 7, 8 and 9, check and confirm that the beam current setting (DC voltage across) does not exceed $-7.0V$.

11. Focus

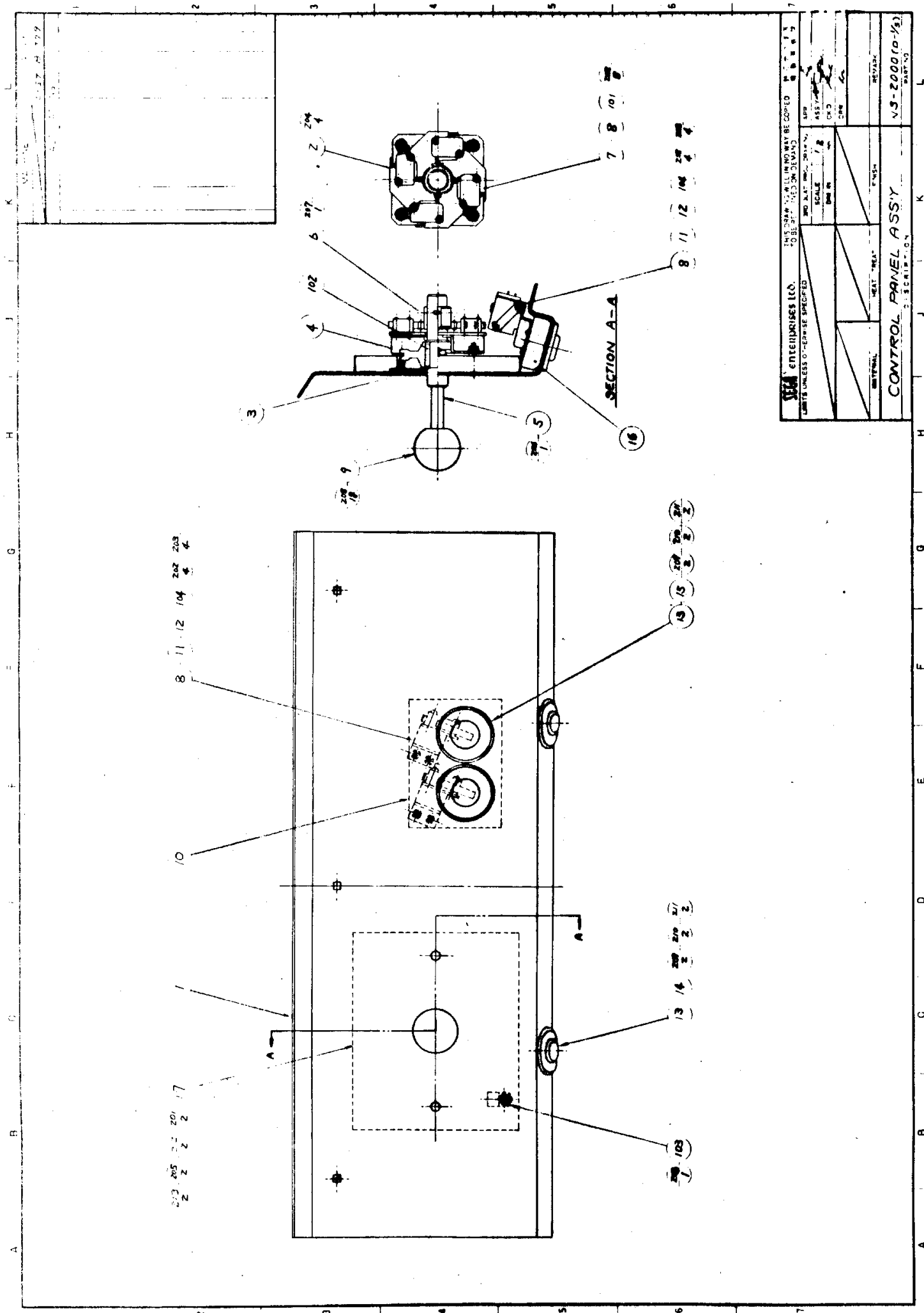
Adjust for clearest picture. It will always be desirable to carry out focus adjustments after brightness adjustments.

5 Parts Catalog

Cabinet Accessory Assy



- | | | |
|----|------------|---|
| 1 | MR-1015 | Light Baffle |
| 2 | NS-1039 | FLUORESCENT LIGHT ASSY,15W |
| | S-90201 | Fluorescent Light,15W |
| 3 | MR-1009 | Speaker Guard Plate |
| | S-97336 | Speaker,230 x 150mm,8Ω,6W |
| 4 | NS-1028 | Top Panel |
| 5 | TA-1065X | Nut Plate |
| | PT-0015 | Net |
| 6 | MR-1002 | Back Door,Upper |
| 7 | MR-1019 | JUNCTION BOX ASSY |
| | NS-1037 | JUNCTION BOX ASSY,200~240V
(See Page 14 for Detail) |
| 8 | NS-1038 | Back Door,Lower |
| 9 | NS-1034 | Scenery,Right |
| | NS-1035 | Scenery,Left |
| 10 | NS-1033 | Scenery,Rear |
| 11 | MR-1024 | TV Mask |
| 12 | MR-1005 | Trim,Upper |
| 13 | 97232-P | COLOR DISPLAY ASSY,20TYPE,120V |
| | 97397-P | COLOR DISPLAY ASSY,20TYPE,100V |
| 14 | MR-1007 | Ornament Frame |
| 15 | MR-1013 | Window Panel |
| | MR-1014 | Bezel Frame |
| 16 | MR-1200 | COIN CHUTE DOOR & CASH BOX ASSY
(See Page 16 for Detail) |
| 17 | M-163-4(L) | Leg Adjuster |
| | | Leg Adjuster Bracket |
| 18 | 97399-P-16 | IC BOARD ASSY, N-SUB |
| 19 | NS-1036 | Corner Protector |
| 20 | MR-1006 | Trim,Lower |



THE COMPANY WILL IN NOWAY BE HELD RESPONSIBLE FOR THE DESIGN OF THIS DRAWING UNLESS OTHERWISE SPECIFIED.		DESIGNED BY DRAWN BY CHECKED BY APPROVED BY
SCALE DATE		SHEET NO. OF NO.
MATERIAL HEAT TREAT		FINISH REVISION
CONTROL PANEL ASSY		NS-2000(10-1/2) PART 10

MACHINE	SUB-ASS'Y			
		LIST-8779		
ALTERATIONS				

104		S-96561	4	SWITCH, MICRO TYPE (YAMATAKE V3L-5002-S)
103		S-90591	1	CLAMP, CORD, PLASTIC, 5mm I.D.
102		S-82871	1	FEATHER KEY, 4x4x18 (*1)
101		S-91421	4	SWITCH, MICRO TYPE (YAMATAKE V3L-5104-S)
17	BZ	H0-2008	1	BASE
16	H6	MR-2003	2	SWITCH BASE, B
15	G6	FL-1070	2	PUSH BUTTON, YELLOW
14	C6	FL-1010	2	PUSH BUTTON, RED
13	F6 C6	FE-2002	4	BUTTON HOUSING
12	K6 FZ	SC-3010X	4	LOCK PLATE
11	K6 FZ	FE-2004	4	SWITCH BRACKET
10	DZ	H0-2022	1	WOODEN BASE
9	H3	MP-1025	1	HANDLE BALL, RED
8	J6 FZ	PS-2049Y	8	PAPER INSULATOR
7	K5	FG-2008	4	PLATE NUT
6	K3	FG-2007	1	HUB
5	H5	FG-2006	1	SHAFT
4	J3	FG-2005X	1	DIAPHRAGM, RUBBER
3	H2	FG-2004	1	BRACKET
2	K3	H0-2002	1	SWITCH BRACKET
1	CZ	NS-2004	1	CONTROL PANEL BASE

D.NO.	POS.	PART NO.	Q/U	DESCRIPTION	NOTE
-------	------	----------	-----	-------------	------

			APR. <i>A</i>
			DRAFT. <i>LJA</i>
CONTROL PANEL ASS'Y		(PARTS LIST)	NS-2000 (0- $\frac{2}{3}$)
DESCRIPTION		PART. NO.	

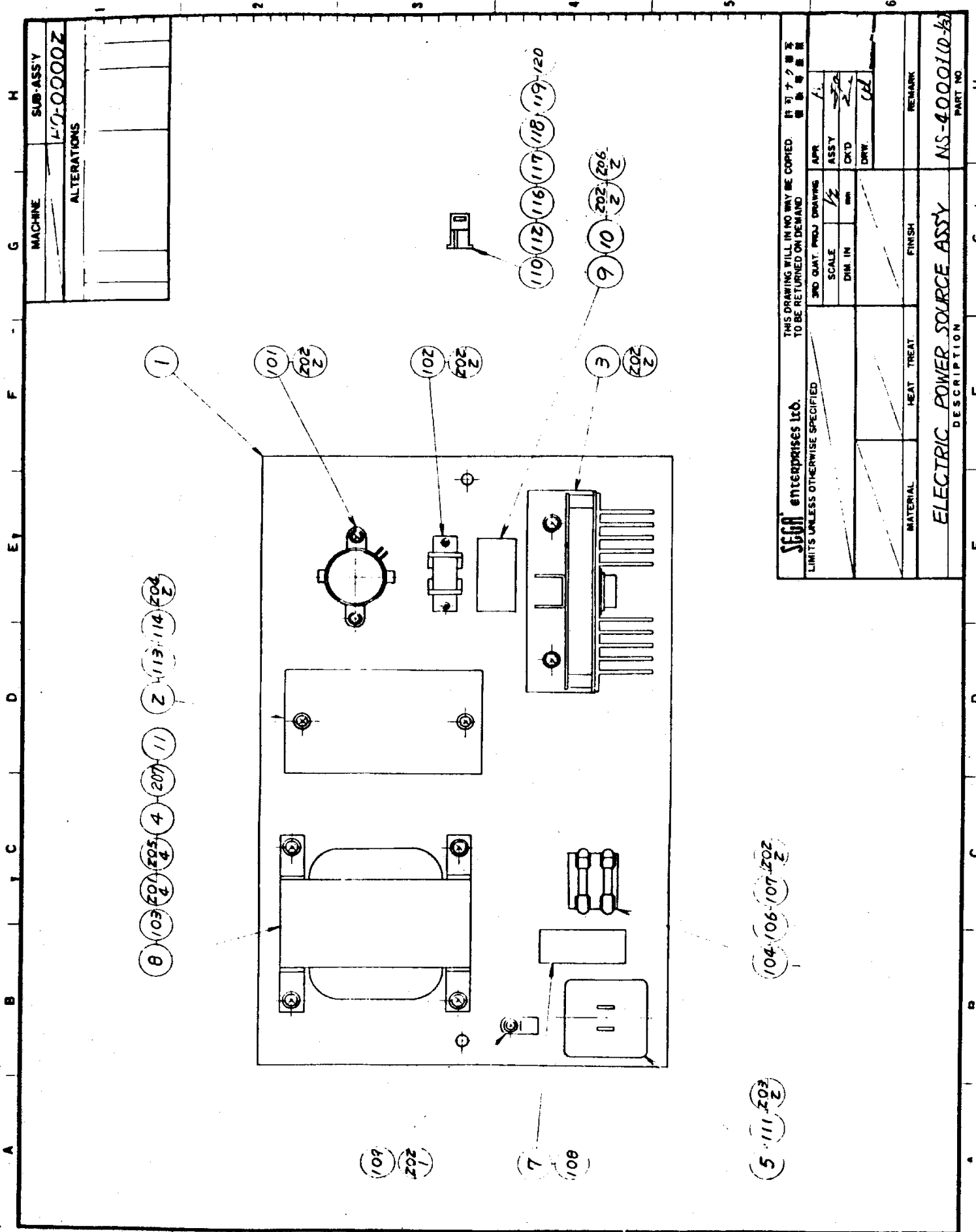


MACHINE		SUB-ASS'Y					
		LIST-B1779					
ALTERATIONS							
213		144-076	2	SPRING WASHER			M4(#2)
212		133-123	2	U-NUT, ISO			M4
211		144-051	4	E WASHER			6
210		144-010	4	FLAT WASHER, SPECIAL			8.3-14.3x0.5
209		133-122	4	LOCK NUT, HEX. (IDA RING)			M18
208		244-019	12	GLUE, CEMEDINE NO. 3000			
207		155-099	1	COTTER PIN			2x25
206		144-281	1	SNAPRING, OUTSIDE TYPE			15mm
205		144-122	2	F. WASHER			4.4-16x1.6
204		133-148	4	FLANGE NUT, ISO, SERRATED TYPE			M4 (O.D.=10 ⁺)
203		122-186	9	WOOD SCREW, R.H. PHILL., W/F. WASHER			3.1x13
202		111-981	16	M. SCREW, R.H. PHILL., ISO, W/F. WASHER			M3x18
201		111-846	2	CARRIAGE BOLT, UNICHROME, SPECIAL, ISO			M4x25
D.NO.	POS.	PART NO.	Q/U	DESCRIPTION			NOTE

APR. *[Signature]*
DRAFT. *[Signature]*

CONTROL PANEL ASS'Y	(PARTS LIST)	NS-2000 (D-3/3)
DESCRIPTION		PART. NO.





MACHINE	SUB-ASSY
	L-10-0000Z
ALTERATIONS	

THIS DRAWING WILL IN NO WAY BE COPIED. TO BE RETURNED ON DEMAND. 此引寸圖樣 請勿複製 樣圖 請勿複製	
LIMITS UNLESS OTHERWISE SPECIFIED	
3RD QUAT. PROJ. DRAWING	APR 11
SCALE	ASSTY 1/2
DIM. IN	mm
CHK'D	CHK
DRW.	CHK
MATERIAL	HEAT TREAT.
FINISH	
REMARK	
ELECTRIC POWER SOURCE ASSY	
DESCRIPTION	
NS-400010-63	
PART NO	

8 (103) 201 4 207 11 2 (113) 114 202 4 204 2

109 202 1

7 108

5 202 111 5

104 106 107 202 2

3 202 2

9 01 6 202 206 2

110 111 116 118 119 120

MACHINE	SUB-ASS'Y				
		HO-00002			
ALTERATIONS					

119	S-936877	1	PLUG, 2P, FREE HANGING TYPE (AMP 1-170424-3) ORANGE
118	S-92021-1	1	SOCKET, 2P, FREE HANGING TYPE, NATURAL COLOR (AMP 170923-1)
117	S-92040-1	2	SOCKET, 2P, FREE HANGING TYPE, RED (AMP 170923-2)
116	S-91978-1	*12	SOCKET ELEMENT (AMP 170147-1)
114	S-94931-3	2	ONE TOUCH COLLAR, L=10 (SHINAGAWA SHOKO NA-410)
113	S-94931-1	2	ONE TOUCH BUSH (SHINAGAWA SHOKO NB-400)
112	S-93542-2	1	PLUG, 3P, BROWN (AMP 1-480305-1)
111	S-91449	1	OUTLET, AC TYPE (YAMATO DENKI "SANTOKU")
110	S-93688-1	1	SOCKET, 2P, FREE HANGING TYPE, BROWN (AMP 1-170923-1)
109	S-90181	1	CLAMP, CORD, PLASTIC, 8 ^{mm} I.D.
108	S-80030	*2	STAPLE, TOHO #3
107	S-90644	1	FUSE, 2A 6.4 ^Φ x 30 ^{mm}
106	S-91941	1	FUSE, 4A 6.4 ^Φ x 30 ^{mm}
104	S-93002	1	FUSE HOLDER, 2P, 125V-10A (SATO F-2)
103	S-96564	6	TERMINAL LUG, ROUND, I.D. 5 (AMP 170011-2)
102	S-94442	1	RECTIFIER, SILICON DIODE (NIHON INTERNATIONAL 6B10Y)
101	S-93629	1	CONDENSER, 10000 ^μ F, 16WV (MARCON CEG2WIC103)
	80309	2	STICKER, 240V (240V AREA)
	80595	2	STICKER, 230V (230V AREA)
	80556	2	STICKER, 220V (220V AREA)
11	81319	2	STICKER, 120V (FOR U.S.A.)
10	G4 DH-4014	1	RECTIFIER BRACKET
9	G4 97084-P	1	POWER AMPLIFIER, DC 24V, 5W
8	B1 97106	1	POWER TRANSFORMER, 100-240V
7	A4 83368	1	FUSE INSTRUCTIONS
5	A5 82381	1	STICKER, OUTLET FOR TV
4	C1 MF-4267	1	COVER
3	F4 RR-4002	1	VOLTAGE REGULATOR ASS'Y
2	D1 TA-4001X	1	REGULATOR UNIT
1	F1 HO-4004	1	BASE

D.NO.	POS.	PART NO.	Q/U	DESCRIPTION	NOTE
					APR. 15
					DRAFT. <i>SD</i>
ELECTRIC POWER SOURCE ASS'Y (PARTS LIST)					NS-40001 (D-2/3)
DESCRIPTION					PART. NO.



SEGA ENTERPRISES LTD.

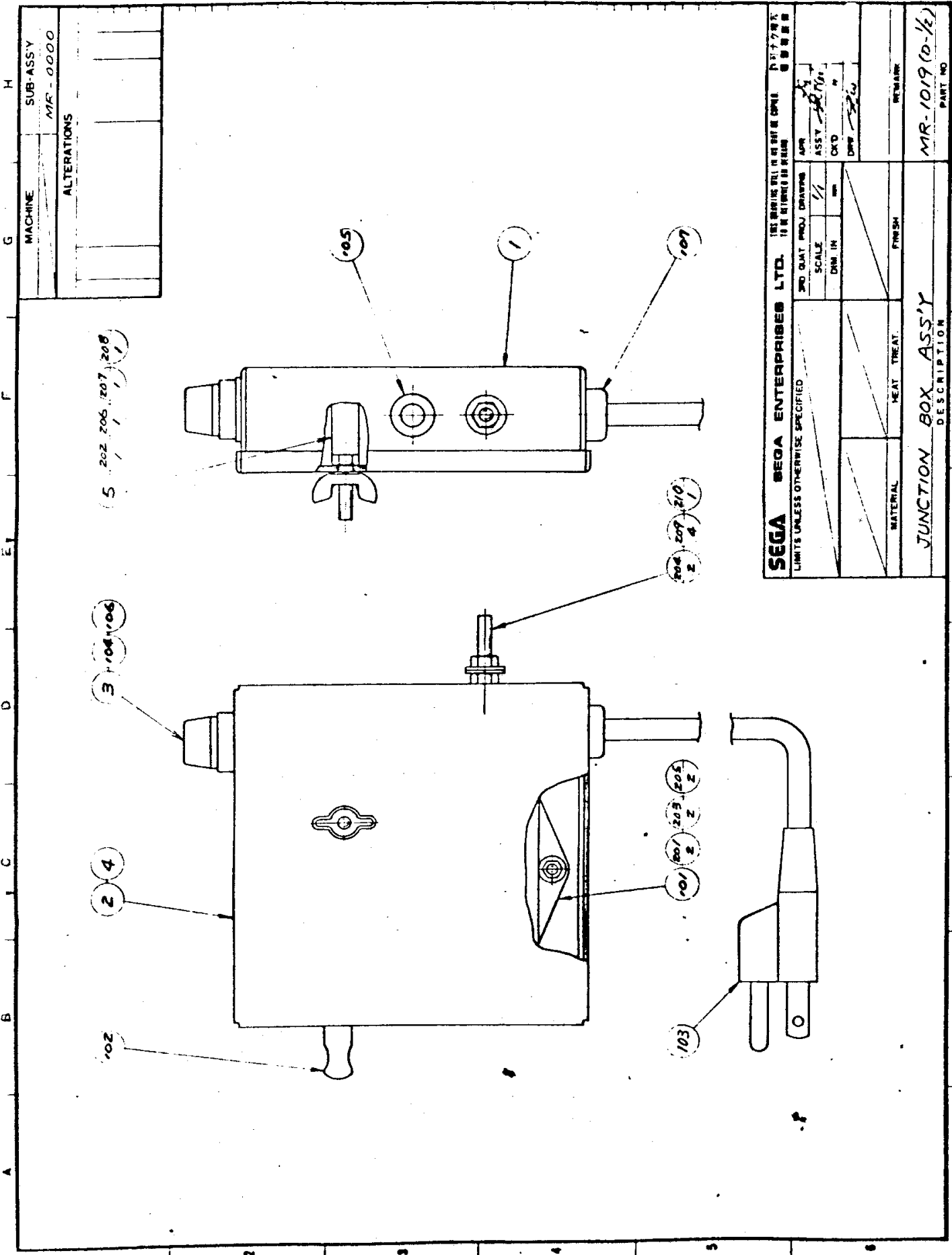
MACHINE	SUB ASS'Y				
	HO-00002				
ALTERATIONS					

D.NO.	POS.	PART NO.	Q/U	DESCRIPTION	NOTE
207		244-063	10 ^{CM}	DOUBLE FACE TAPE, 20 ^{MM} x 50 ^{MM} /ROLL (NITTO No. 501)	
206		111-878	2	M. SCREW, P.H. PHILL. ISO, W/F. WASHER	M3 x 6
205		133-097	4	T-NUT, ISO	M5
204		122-110	2	WOOD SCREW, R.H. PHILL.	3.5 x 25
203		122-004	2	WOOD SCREW, R.H. PHILL.	3.5 x 16
202		122-186	11	WOOD SCREW, R.H. PHILL. W/F. WASHER	3.1 x 13
201		111-984	4	M. SCREW, P.H. PHILL., ISO, W/F. & SPRING WASHER	M5 x 14
120		S-94482-1	1	SOCKET, 2P, FREE HANGING TYPE, YELLOW (AMP 170923-4)	

				APR. <i>AS</i>	
				DRAFT. <i>STO</i>	
ELECTRIC POWER SOURCE ASS'Y (PARTS LIST)				NS-40001 (0-3/3)	
DESCRIPTION				PART. NO.	



SEGA ENTERPRISES LTD.



SEGA BEGA ENTERPRISES LTD. 1ST FLOOR, 211 TO 215, BRIDGE ROAD, SINGAPORE 05011

LIMITS UNLESS OTHERWISE SPECIFIED

3RD QUAT PROJ. DRAWING	APPR.	DATE
SCALE	ASSTY.	CHKD.
DWG. IN.	DWG. NO.	DWG. DATE
MATERIAL	HEAT TREAT.	FINISH
JUNCTION BOX ASS'Y		
DESCRIPTION		
REMARK		
MR-1019 (0-1/2)		
PART NO.		

. MACHINE		SUB ASS'Y	
		NIR-1000	
ALTERATIONS			

D.NO	POS.	PART NO.	Q/U	DESCRIPTION	NOTE
210		111-937	1	M. SCREW, P.H. PHILL., BRASS, ISO	M4x25
209		144-269	4	FLAT WASHER, SPECIAL, BRASS	4-12x1
208		133-112	1	WING NUT, ISO	M4
207		133-089	1	HEX. NUT, ISO	M4
206		144-076	1	SPRING WASHER	M4 (*2)
205		144-057	2	FLAT WASHER	M3
204		133-133	2	HEX. NUT, BRASS, ISO	M4
203		133-088	2	HEX. NUT, ISO	M3
202		111-678	1	M. SCREW, F.H. PHILL., ISO	M4x15
201		111-854	2	M. SCREW, F.H. PHILL., ISO	M3x10
110		S-96564	2	TERMINAL LUG, ROUND I.D.5 (AMP 1700/11-2)	
109		S-91978-1	*3	SOCKET ELEMENT (AMP 170147-1)	
108		S-93542-1	1	SOCKET, 3P, BROWN (AMP 1-480304-1)	
107		S-96148	1	BUSHING, STRAIN RELIEF, 8.3 (HEYCO SR-6N-4)	
106		S-96774	*1	FUSE, 5A, TIME-LAG TYPE, 6.35 ϕ x31.75mm (NAGASANA 61T5)	
105		S-92310	1	RUBBER GROMMET, 7 ϕ x10 ϕ x4.5 (TAKIGEN 19-79-C)	
104		S-90207	1	FUSE HOLDER, W/SCREW CAP (SATO F-4000)	
103		S-95835	1	CABLE & PLUG ASSY, W/EARTH, 0.16x41x3, L=3m (UL STANDARD ROUND TYPE) (CHERRY 679-30A)	
102		S-94339	1	SWITCH, MICRO TYPE, DEPT. CHEAT INTER LOCK TYPE	
101		S-94972	1	NOISE FILTER, AC 250V, 2A (TDK 29B 2202-01)	
5		FL-3237	1	SPACER TUBE, 26	
4		81319	1	STICKER, 120V	
3		80426	1	STICKER, 5 AMPERE	
2		MR-1021	1	COVER	
1		MR-1020	1	JUNCTION BOX	

APR. *[Signature]*
DRAFT. *[Signature]*

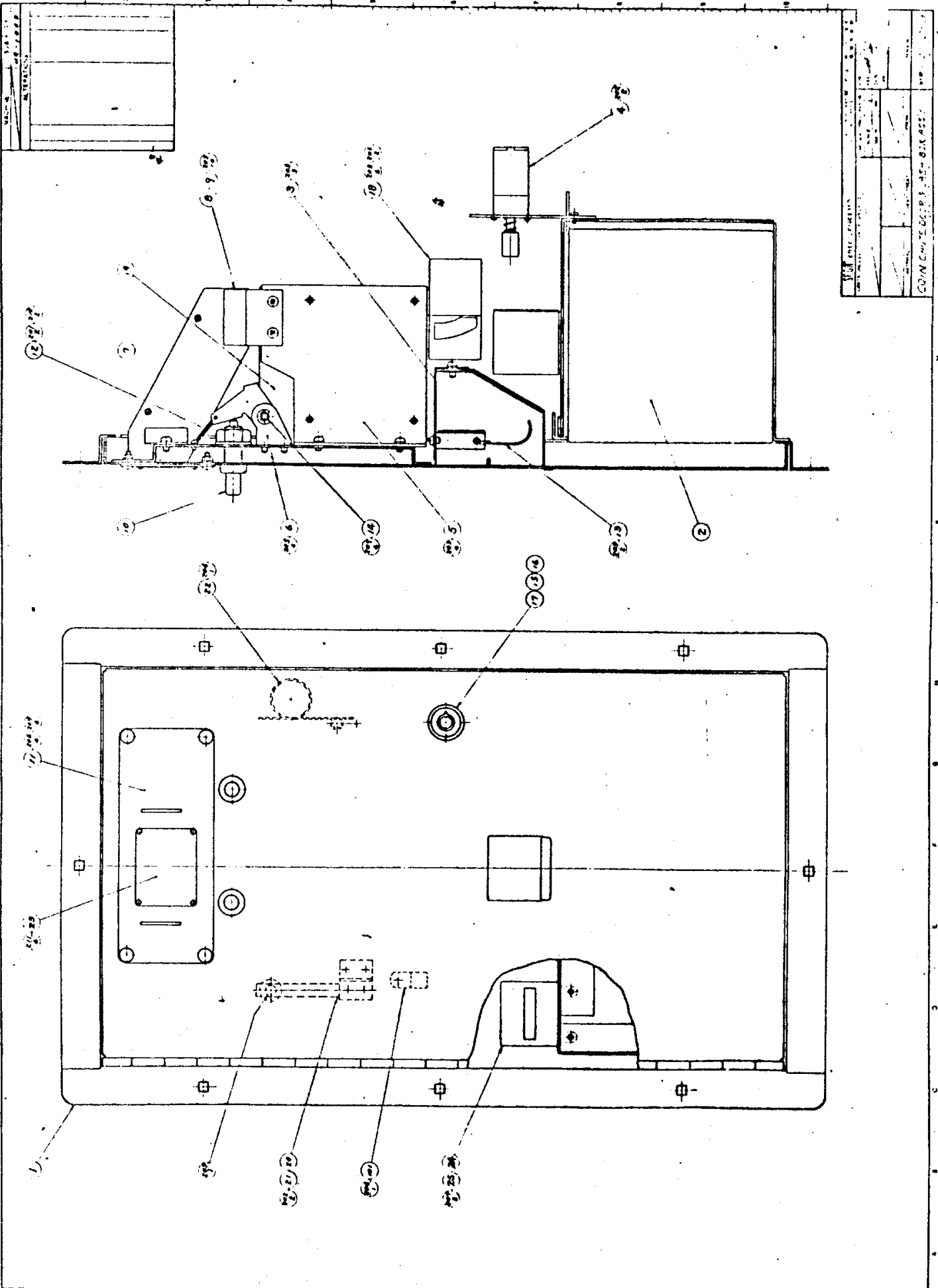
JUNCTION BOX ASS'Y
DESCRIPTION

(PARTS LIST)

MR-1019(D-3/2)
PART NO.

SEGA

SEGA ENTERPRISES LTD.

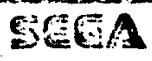


MACHINE		SUB-ASS'Y							
ALTERATIONS									

		CC - 2144	COIN CHUTE, REJECTOR TYPE, 28.5¢ IRON SLUG (ITALY)		
		CC - 2217	COIN CHUTE, REJECTOR TYPE, GERMAN 5 MARK x 1		
		CC - 2191	COIN CHUTE, REJECTOR TYPE, GERMAN 1 MARK x 1		
		CC - 2196	COIN CHUTE, REJECTOR TYPE, BELGIUM, 5Fr. x 1		
		CC - 2197	COIN CHUTE, REJECTOR TYPE, 25¢ x 1 (FRANCE)		
19		CC - 2006	COIN CHUTE, REJECTOR TYPE, 25¢ x 1 (U.S.A.)		
18		CC - 2050	COIN CHUTE BRACKET ASSY		
17		LS - 1064	ACE CYLINDER LOCK, L.S. TYPE		
16		PB - 1022	LOCK TONGUE		
15		SW - 1102	SPACER RING		
14		SH - 1007	SHAFT		
13		MR - 1010	FLAP DOOR ASSY		
12		DL - 3018	EXTENSION SPRING		
		MO - 1249	COIN ENTRY PLATE, ₵50 TWIN (SPAIN)		
		MO - 1250	COIN ENTRY PLATE, AUSTRALIA, 20¢, TWIN		
		MO - 1255	COIN ENTRY PLATE, ENG., 10P, TWIN		
		MO - 1247	COIN ENTRY PLATE, ENG., 10P, 50P		
		MO - 1251	COIN ENTRY PLATE, ITALY, 100 LIRA, TWIN		
		MO - 1248	COIN ENTRY PLATE, GERMAN, 1DM, 5DM		
		MO - 1254	COIN ENTRY PLATE, GERMAN, 1DM, TWIN		
		MO - 1252	COIN ENTRY PLATE, BELGIUM, 5Fr., TWIN		
		MO - 1244X	COIN ENTRY PLATE, FRANCE, 1Fr., 5Fr.		
		MO - 1253	COIN ENTRY PLATE, FRANCE, 2Fr., TWIN		
11		MO - 1245	COIN ENTRY PLATE, U.S.A., 25¢ x 2		
10		MP - 1017	REJECT BUTTON ASSY		
9		DH - 1046	COIN ENTRY BRACKET, B		
8		DH - 1045	COIN ENTRY BRACKET, A		
7		DH - 1044	REJECT LEVER		
6		DH - 1043	REJECT LEVER BRACKET		
5		DH - 1042X	COIN CHUTE BRACKET		
4		MR - 1204	ADJUSTMENT UNIT		
3		MR - 1203	COVER		
2		MR - 1202	CASH BOX		
1		MR - 1201	COIN CHUTE DOOR		
D.NO.	POS.	PART NO.	Q/U	DESCRIPTION	NOTE

APR.	
DRAFT.	

COIN CHUTE DOOR & CASH BOX ASSY (PARTS LIST)	
DESCRIPTION	PART NO.



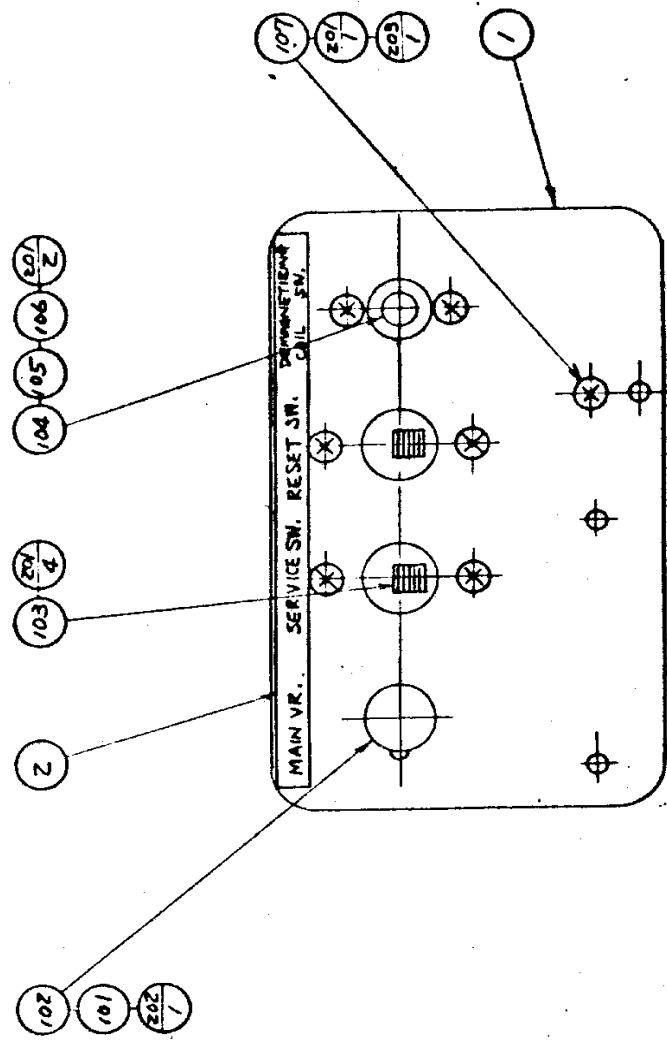
MACHINE	SUB-ASS'Y				
ALTERATIONS					

D.NO.	POS.	PART NO.	Q/U	DESCRIPTION	NOTE
101		S-90181	1	CLAMP, CORD, PRASTIC, 8mm, I.D.	
25		80931		STICKER, COIN METER	
24		903032-5-P		MAGNET COUNTER, 6 DIGITS, DC.5V	
		83375		DENOMINATION PLATE, 1P x 2, 1P x 2 (SPAIN)	
		83376		DENOMINATION PLATE, 20¢, 20¢ (AUSTRALIA)	
		83384		DENOMINATION PLATE, 10P x 2, 10P x 2 (ENG.)	
		83371		DENOMINATION PLATE, 50P, 10P x 2 (ENG.)	
		83374		DENOMINATION PLATE, L.100 x 4, L100 x 4 (ITALY)	
		83369		DENOMINATION PLATE, 5DM, 1DM (GERMAN)	
		83372		DENOMINATION PLATE, 1DM, 1DM (GERMAN)	
		83378		DENOMINATION PLATE, 5Fr. x 2, 5Fr. x 2 (BELGIUM)	
		83373		DENOMINATION PLATE, 5Fr., 1Fr. x 2 (FRANCE)	
		83377		DENOMINATION PLATE, 2Fr., 2Fr. (FRANCE)	
		83362		DENOMINATION PLATE, 25¢, 25¢ (U.S.A)	
		83370		DENOMINATION PLATE, 25¢ x 2, 25¢ x 2 (U.S.A)	
23		80824		DENOMINATION PLATE, 25¢ (U.S.A)	
22		30060		KEY HOLDER	
21		SK-1057		TILT SWITCH ASSY, 1M	
20		SK-1042		SWITCH BRACKET	
		CC-2193		COIN CHUTE, REJECTOR TYPE, SPAIN, 1PESETA x 1	
		CC-2053		COIN CHUTE, REJECTOR TYPE, AUSTRALIA, 20¢ x 1	
		CC-2192		COIN CHUTE, REJECTOR TYPE, ENG., 10P x 1	

APR.		
DRAFT.		
COIN CHUTE DOOR & CASH BOX ASSY (PARTS LIST)		
DESCRIPTION		PART. NO.



MACHINE	SUB-ASSY
	MR-1200
ALTERATIONS	



SEGA SEGA ENTERPRISES LTD. THE DRAWING WILL BE VOID IN CASES WHERE THE DRAWING IS NOT SIGNED BY THE DRAWING OFFICER

LIMITS UNLESS OTHERWISE SPECIFIED

PRO. DATE	PROJ. DRAWING	APP.	DATE
SCALE	1/1	ASSY	10/10/68
DWG. IN		CAD	
		DATE	10/10/68

MATERIAL	HEAT TREAT	FINISH	REMARKS
ADJUSTMENT UNIT			MR-1200 (D-1/4)
DESCRIPTION			PART NO

MACHINE	SUB ASS'Y
	MR-1200
ALTERATIONS	

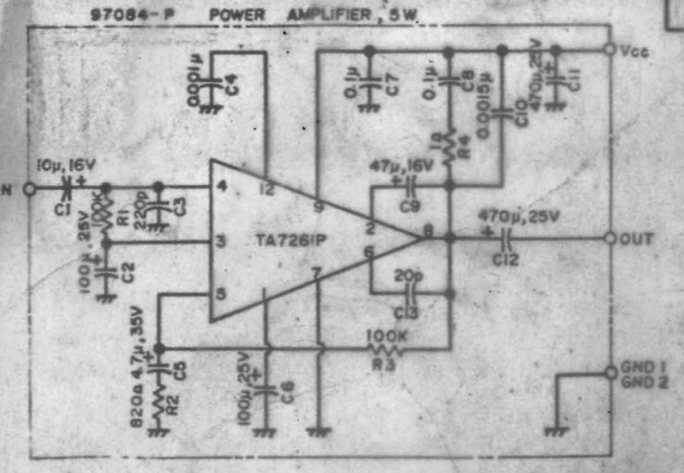
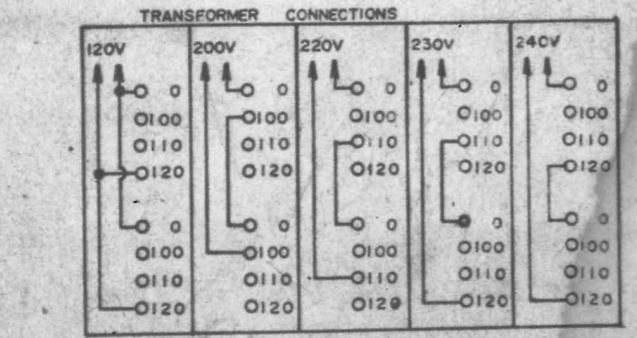
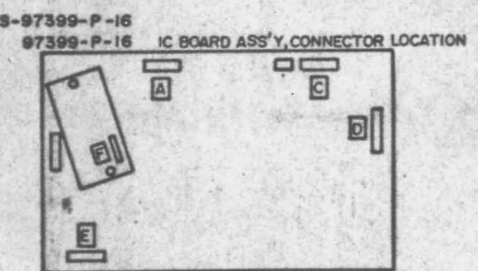
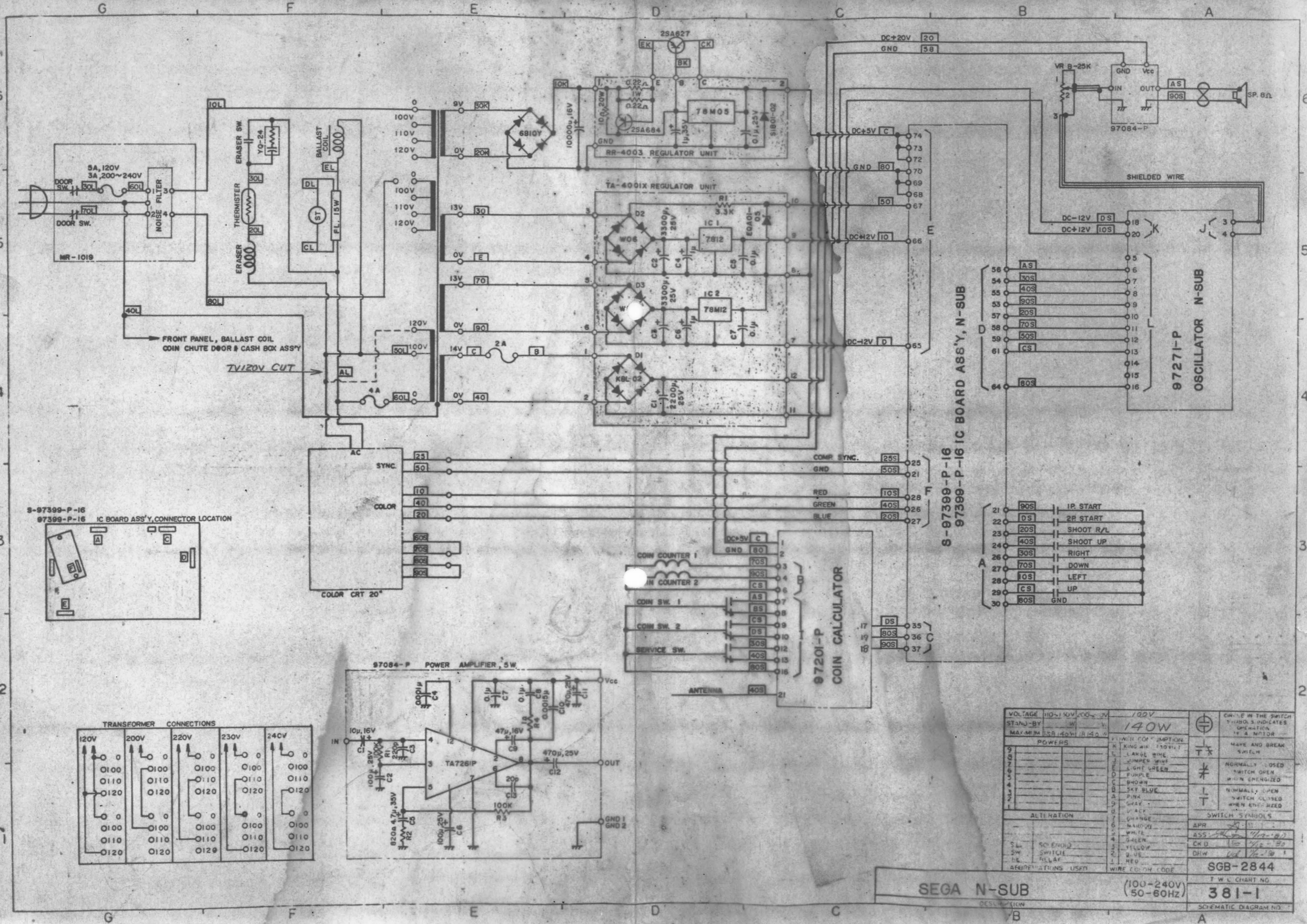
D.NO	POS.	PART NO.	Q/U	DESCRIPTION	NOTE
203		133-088	1	HEX. NUT, ISO	M3
202		111-991	1	SET SCREW, HEX. SOCKET, CUP POINT, ISO	M2.6x5
201		111-892	7	M. SCREW, P.H. PHILL., ISO, W/S. WASHER	M3x8
112		S-93687-1	1	SOCKET, 2P, FREE HANGING TYPE, ORANGE (AMP 1-170923-3)	
111		S-91978-Z x14		PIN ELEMENT (AMP 61116-1)	
110		S-91978-1 *Z		SOCKET ELEMENT (AMP 170187-1)	
109		S-91980-2	1	PLUG, 12P, NATURAL COLOR (AMP 1-480278-0)	
108		S-92040-2	1	PLUG, 2P, FREE HANGING TYPE, RED (AMP 1-170924-2)	
107		S-92896	1	TERMINAL PLATE, 12P (IZAWA NO.8) (TV 97232-P1E1E4)	
106		S-95657	1	C & R COMBINATION ELEMENT, 0.1MF & 120Ω (MATSUSHITA DENKI ECB-30186A)	
105		S-96397	1	PUSH BUTTON SWITCH, IM. W/O BUTTON (MATSUSHITA 9932R)	
104		S-96400	1	PUSH BUTTON, IVORY, 8° (TOKO 470-010-01-10)	
103		S-93640	2	SWITCH, SLIDE TYPE, 6P (SHONA MUSEN SJ-0275-02)	
102		S-96416	1	KNOB, METAL (SATO K-29)	
101		S-96417	1	RHEOSTAT, 100Ω, 10W (NOBLE RPF 10)	
Z	C1	83335	1	STICKER, SWITCH INSTRUCTIONS	
1	F3	MR-1205	1	SWITCH BRACKET	

				APR. <i>A</i>	
				DRAFT. <i>Cal</i>	
ADJUSTMENT UNIT			(PARTS LIST)	MR-1204 (D-7/2)	
DESCRIPTION				PART. NO.	

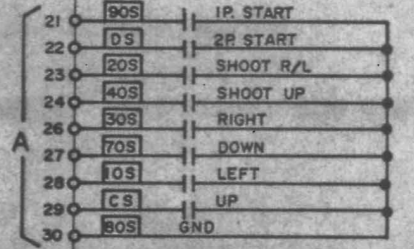
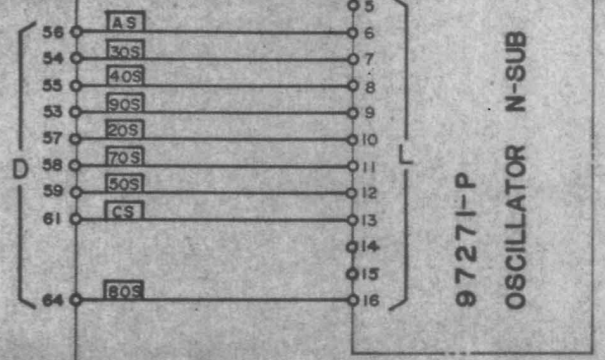
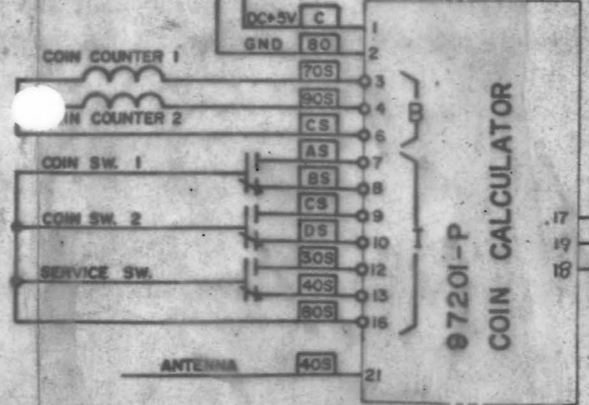
SEGA

SEGA ENTERPRISES LTD.





6-97399-P-16
97399-P-16 IC BOARD ASS'Y, N-SUB



VOLTAGE	110-120V, 50-60Hz	100V	140W	CH-1 IN THE SWITCH SYMBOLS INDICATES OPERATION OF A MOTOR
STAND-BY	W	V		
MAXIMUM	100W	140W	140W	
POWERS				
9				
8				
7				
6				
5				
4				
3				
2				
1				
ALTERNATION				
6	CHANGE			
5	WHITE			
4	GREEN			
3	YELLOW			
2	BLUE			
1	RED			
ABBREVIATIONS USED				
SO	SOLENOID			
SW	SWITCH			
RL	RELAY			
WIRE COLOR CODE				
SGB-2844				
T W L CHART NO.				
381-1				
SCHEMATIC DIAGRAM NO.				

SEGA N-SUB (100-240V) (50-60HZ)
381-1