

# GALSPANIC II<sup>TM</sup>

## OPERATION MANUAL

# OPERATION MANUAL

ENGLISH

## ● Specifications

- ◇ Name of Game : GALS PANIC II
- ◇ Control Panel : One-sided 2 P
  - Lever Switch : 2 (8 directions : one each 1 P and 2 P)
  - Button : 2 (push button : one each 1 P and 2 P)
- ◇ Edge Connector : JAMMA Standards
- ◇ Monitor : Vertical Monitor

## ● Operation Precautions

- ◇ Each player uses an 8-directional lever and button.
  - Do not connect the second and third buttons.
- ◇ Unlike Conventional games, the sound is one the important factors for attracting customers. Set the sound volume a little higher (so that players hear the game clearly)
- ◇ Be sure to disconnect the power from the enclosure before installing or removing the PC Board.
- ◇ Use extreme care not to drop any metal objects such as a nail or clip onto the PC Board. This can result in damage to the Board.
- ◇ When transporting the PC Board, wrap it in aircap or sponge and secure it in a corrugated carton box.

GERMAN

## ● Technische Daten

- ◇ Bezeichnung des spiels : GALS PANIC II
- ◇ Bedienfeld : Auf einer Seite, 2 Spieler
  - Steuerhebel : 2 (je 8 Richtungen für Spieler 1 und 2)
  - Taste : 2 (je 1 Drücktaste für Spieler 1 und 2)
- ◇ Schnittstelle : JAMMA
- ◇ Monitor : Hochkant

## ● Zur besonderen Beachtung

- ◇ Jeder Spieler spielt mit einem 8-Richtungs-Hebel und einer Taste.
  - Die zweiten und dritten Tasten nicht anschließen.
- ◇ Der Sound dieses Spiels spielt eine wichtige Rolle. Die Lautstärke etwas größer als normal einstellen, damit die Spieler den Ton einwandfrei hören.
- ◇ Vor dem Ein- oder Ausbau der Leiterplatte das Netzkabel abziehen.
- ◇ Keine Metallteile wie Schrauben oder Büroklammern auf die Leiterplatte fallen lassen. Andernfalls sind Schäden die Folge.
- ◇ Für den Transport die Leiterplatte in Schaumstoff oder geeignete Schutzfolie wickeln und in einem Pappkarton aufbewahren.

SPANISH

## ● Especificaciones

- ◇ Nombre del juego : GALS PANIC II
- ◇ Tablero de controles : En el mismo lado, para 2 jugadores
  - Barra de control : 2 (8 sentidos para cada una, 1 ó 2 jugadores)
  - Botón : 2 (un botón pulsador para cada uno, 1 ó 2 jugadores)
- ◇ Interfaz : Normas JAMMA
- ◇ Monitor : Pantalla vertical

## ● Precauciones para el uso

- ◇ Cada uno de los jugadores tiene su propia palanca de 8 sentidos y botón.
  - No conecte un segundo o tercer botón.
- ◇ A diferencia de otros juegos convencionales, la parte de audio es el factor más importante a la hora de atraer clientes. Suba el volumen (para que los jugadores puedan escuchar claramente mientras juegan)
- ◇ Desconecte siempre la corriente del aparato antes de instalar o desmontar el tablero de circuitos impresos.
- ◇ Trabaje con cuidado para que no caigan objetos de metal tales como clavos o sujetapapeles encima del tablero de circuitos impresos. Se puede dañar el tablero.
- ◇ Para transportar un tablero de circuitos impresos, envuelva en una esponja u otro producto con antiestática y asegure en una caja de cartón corrugado.

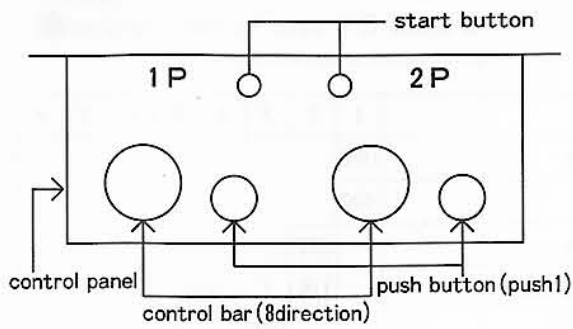
ITALIAN

## ● Caratteristiche tecniche

- ◇ Nome del gioco : GALS PANIC II
- ◇ Pannello di controllo : Su un lato, per 2 giocatori
  - Leve di comando : 2 (8 direzioni; una per il giocatore 1 e una per il giocatore 2)
  - Pulsanti : 2 (pulsanti a pressione; uno per il giocatore 1 e uno per il giocatore 2)
- ◇ Connettore per scheda : Standard JAMMA
- ◇ Monitor : Monitor

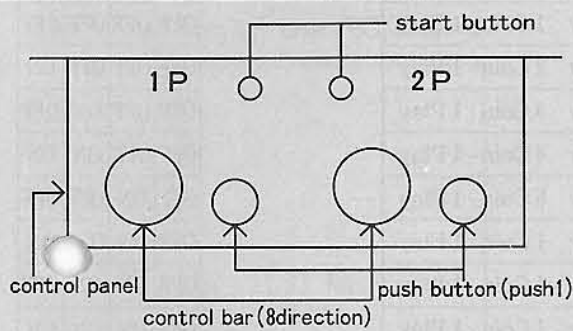
## ● Precauzioni per l'uso

- ◇ Ciascun giocatore usa una leva di comando per 8 direzioni e un pulsante.
  - Non collegare il secondo e il terzo pulsante.
- ◇ A differenza dei videogiochi convenzionali, il suono è uno dei fattori importante per attrarre clienti. Regolare il volume un po' più alto del normale (in modo che i giocatori possano sentire il suono del gioco chiaramente).
- ◇ Assicurarsi di scollegare la fonte di alimentazione dal rivestimento prima di installare o rimuovere la scheda di circuito stampato.
- ◇ Fare molta attenzione a non far cadere nessun oggetto di metallo come chiodi o forcine sulla scheda di circuito stampato, perché questi oggetti potrebbero danneggiare il circuito stampato.
- ◇ Quando si trasporta la scheda di circuito stampato, avvolgerla in un foglio di plastica a bollicine da imballaggio o spugnetta e inserirla in una scatola di cartone ondulato.



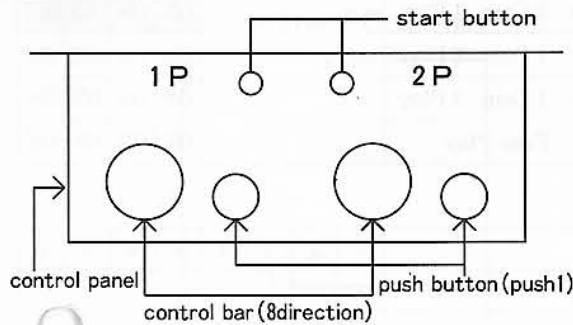
### Caution

Commercial use of this machine is restricted outside Japan.  
Export, sale or operation of this machine without our approval is strictly prohibited by law.



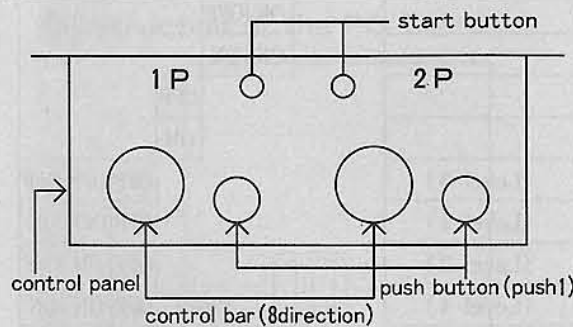
### Vorsicht

für den Betrieb dieses Geräts außerhalb Japans gelten Sonderauflagen.  
Export, Vertrieb und Betrieb ohne ausdrückliche Genehmigung des Herstellers sind verboten.



### Precaución

Existen limitaciones para el uso de este aparato fuera de Japón.  
La exportación, venta o uso de este aparato sin nuestro consentimiento está prohibida por las leyes.



### Attenzione

L'uso commerciale di questa macchina è limitato a fuori dal Giappone.  
L'esportazione, la vendita o l'uso di questa macchina senza la nostra approvazione è strettamente proibita per legge.

## Table of PC Board Connectors

### (1) Required Power Supply

+ 5 V	+0.5V -0.1V	(MIN4.0A)
+12V	±0.5V	(MIN1.0A)

### (2) Standard of Edga Connector

JAMMA Standards

### (3) Edge Connector Terminal Layout

Soldered Side	Terminals		Parts Side
G N D	A	1	G N D
G N D	B	2	G N D
+ 5 V	C	3	+ 5 V
+ 5 V	D	4	+ 5 V
	E	5	
+ 12 V	F	6	+ 12 V
Wrong Insertion Protection Key	H	7	Wrong Insertion Protection Key
Coin Counter 2	J	8	Coin Counter 1
Coin Lockout 2	K	9	Coin Lockout 1
Speaker (-)	L	10	Speaker (+)
Audio (GND)	M	11	Audio (+)
Video GREEN	N	12	Video RED
Video SYNC	P	13	Video BLUE
Service Switch	R	14	Video GND
Tilt Switch	S	15	Test Switch
Coin Switch 2	T	16	Coin Switch 1
Start Switch 2	U	17	Start Switch 1
2 P Control 1 UP	V	18	1 P Control 1 UP
2 P Control 2 DOWN	W	19	1 P Control 2 DOWN
2 P Control 3 LEFT	X	20	1 P Control 3 LEFT
2 P Control 4 RIGHT	Y	21	1 P Control 4 RIGHT
2 P Control 5 PUSH1	Z	22	1 P Control 5 PUSH1
	a	23	
	b	24	
	c	25	
	d	26	
G N D	e	27	G N D
G N D	f	28	G N D

※For optimum use of this machins, supply desjgnated voltage where applicable.

## DIP Switch

- ◇When the power is connected with A-1 turned on, the machine reverts to the test mode and the test pattern is displayed. when the 1 P Start is pressed with this screen, a system menu is displayed. Follow the instructions displayed for further operation.
- ◇A-2 turns the sound on and off during demonstration.
- ◇A-3 reverses the screen. When it is turned on during play, the screen may be turbulent. Turn the power off once when A-3 is turned on.
- ◇Turn on A-4 without card-dispenser. Turn off A-4 with it.
- ◇With A-5 through A-8, the game fee can be set for each coin slot, A and B.
- ◇The maximum number of each character, B-1 and B-2.
- ◇B-3 and B-4 sets the number of players at the start of the game.
- ◇Turn on B-5 for adult pictures. Turn off B-5 for ordinary ones.
- ◇With B-6 through B-8 sets the player levels of the entire game.

## DIP-Schalter

- ◇Wenn beim Einschalten A-1 auf ON steht, erfolgt Anzeige des Testmusters im Test-Modus. Wird nun die Starttaste für Spieler 1 (1 P) gedrückt, erscheint das System-Menü. Anschließend die angezeigten anweisungen befolgen.
- ◇Mit A-2 läßt sich einstellen, ob der Ton während der demonstration ein- oder ausgeschaltet sein soll.
- ◇Mit A-3 erfolgt eine Umkehrung des Bildschirms. Während des Spiels kann dies zu Bildschirmstörungen führen. Wenn A-3 auf ON steht, die Maschine einmal kurz aus- und wieder einschalten.
- ◇A-4 auf OFF stellen, wenn mit Karten-Einschub gearbeitet wird. A-4 auf ON stellen, wenn ohne Karten-Einschub gearbeitet wird.
- ◇Mit A-5 bis A-8 läßt sich der münzbetrag pro Spiel für die Münzschlitze A und B einstellen.
- ◇Mit B-1 und B-2 läßt sich die maximal mögliche Anzahl der Zeichen einstellen.
- ◇Mit B-3 und B-4 wird die Anzahl der Spieler zu Spielbeginn eingestellt.
- ◇B-5 auf ON stellen, um Aktbilder zu zeigen. B-5 auf OFF stellen, um normale Bilder zu zeigen.
- ◇Mit B-6 bis B-8 läßt sich die Schwierigkeitsstufe einstellen.

## Interruptores DIP

- ◇Cuando se conecta el interruptor principal con A-1 en ON, el aparato entra en el modo de prueba y aparece un patrón de prueba. Cuando se oprime la tecla de comienzo del jugador 1 en este estado, aparecerá un menú del sistema en la pantalla. Siga las instrucciones en el mismo.
- ◇EL A-2 activa o desactiva el sonido durante las demostraciones
- ◇A-3 invierte la pantalla. Si se deja en ON durante el juego, la pantalla puede verse con problemas. Desconecte el interruptor principal si el A-3 estaba en ON.
- ◇Mueva el A-4 a OFF cuando se utiliza el aparato con la función de entrega de tarjetas. Mueva el A-4 a ON cuando no se utiliza esta función.
- ◇Los interruptores A-5 a A-8 permiten programar el precio de cada juego para las ranuras de monedas A y B
- ◇Se puede programar el máximo número para cada carácter con B-1 y B-2.
- ◇Los interruptores B-3 y B-4 permiten programar el número de jugadores al principio del juego.
- ◇Mueva B-5 a ON para un juego para adultos Mueva B-5 a OFF para un juego normal.
- ◇Los interruptores B-6 a B-8 permiten programar los niveles del jugador para todo el juego.

## Interruttori DIP

- ◇Quando l'alimentazione è collegata con A-1 attivato, la macchina ritorna al modo di prova e viene visualizzato lo schermo di prova. Quando si preme il pulsante di avvio del giocatore 1 (1 P) con questo schermo, viene visualizzato un menu di sistema. Seguire le istruzioni visualizzate per ulteriori operazioni.
- ◇A-2 attiva e disattiva il suono durante la dimostrazione.
- ◇A-3 inverte lo schermo. Quando è attivato durante il gioco, lo schermo può essere disturbato. Spegnerla la macchina una volta quando A-3 è attivato.
- ◇Disattivare A-4 quando si usa la macchina con il distributore di schede. Attivare A-4 quando si usa la macchina senza il distributore di schede.
- ◇Con A-5 - A-8, la tariffa di gioco può essere regolata per ciascuna fessura di inserimento monete, A e B.
- ◇Il numero massimo di caratteri può essere regolato con B-1 e B-2.
- ◇B-3 e B-4 regolano il numero di giocatori all'inizio del gioco.
- ◇Attivare B-5 per le immagini solo per adulti. Disattivare B-5 per le immagini normali.
- ◇B-6 - B-8 regolano i livelli dei giocatori dell'intero gioco.

## <DIP SWITCH A>

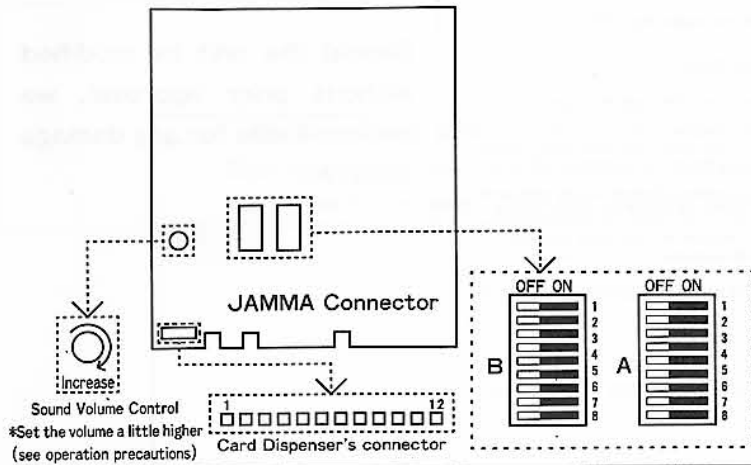
		1	2	3	4	5	6	7	8
Test Mode	Normal-Mode	OFF							
	Test-Mode	ON							
Sound Demonstration	Normal-Mode		OFF						
	Demonstration-Mode		ON						
Screen Flip	Normal			OFF					
	Reverse			ON					
Card Dispenser	Used				OFF				
	Unused				ON				
Credit	Coin-A Coin-B								
	1 Coin - 1 Play 1 Coin - 1 Play					OFF	OFF	OFF	OFF
	2 Coin - 1 Play 2 Coin - 1 Play					OFF	OFF	OFF	ON
	3 Coin - 1 Play 3 Coin - 1 Play					OFF	OFF	ON	OFF
	4 Coin - 1 Play 4 Coin - 1 Play					OFF	OFF	ON	ON
	5 Coin - 1 Play 5 Coin - 1 Play					OFF	ON	OFF	OFF
	2 Coin - 1 Play 1 Coin - 1 Play					OFF	ON	OFF	ON
	3 Coin - 1 Play 1 Coin - 1 Play					OFF	ON	ON	OFF
	4 Coin - 1 Play 1 Coin - 1 Play					OFF	ON	ON	ON
	5 Coin - 1 Play 1 Coin - 1 Play					ON	OFF	OFF	OFF
	2 Coin - 1 Play 2 Coin - 1 Play					ON	OFF	OFF	ON
	3 Coin - 1 Play 2 Coin - 1 Play					ON	OFF	ON	OFF
	4 Coin - 1 Play 2 Coin - 1 Play					ON	OFF	ON	ON
	5 Coin - 1 Play 2 Coin - 1 Play					ON	ON	OFF	OFF
	1 Coin - 2 Play 1 Coin - 2 Play					ON	ON	OFF	ON
1 Coin - 3 Play 1 Coin - 3 Play					ON	ON	ON	OFF	
Free Play Free Play					ON	ON	ON	ON	

## <DIP SWITCH B>

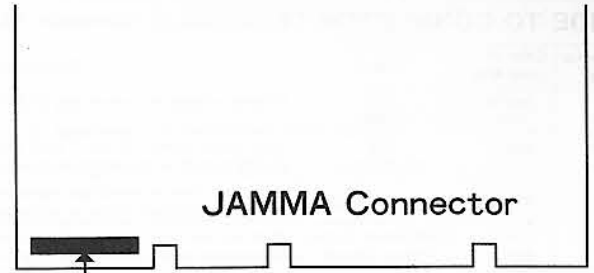
		1	2	3	4	5	6	7	8
Maximum Unit of Players	9	OFF	OFF						
	1	OFF	ON						
	4	ON	OFF						
	6	ON	ON						
Number of Unit by Players	3			OFF	OFF				
	1			OFF	ON				
	4			ON	OFF				
	5			ON	ON				
Picture Mode	Normal						OFF		
	Adult						ON		
Game Level	Normal (Level-3)						OFF	OFF	OFF
	Very Easy (Level-1)						OFF	OFF	ON
	Easy (Level-2)						OFF	ON	OFF
	Normal + (Level-4)						OFF	ON	ON
	Hard (Level-5)						ON	OFF	OFF
	Very Hard (Level-6)						ON	OFF	ON
	Ultra Hard (Level-7)						ON	ON	OFF
	God Hands (Level-8)						ON	ON	ON



### ● Instruction of the PC Board



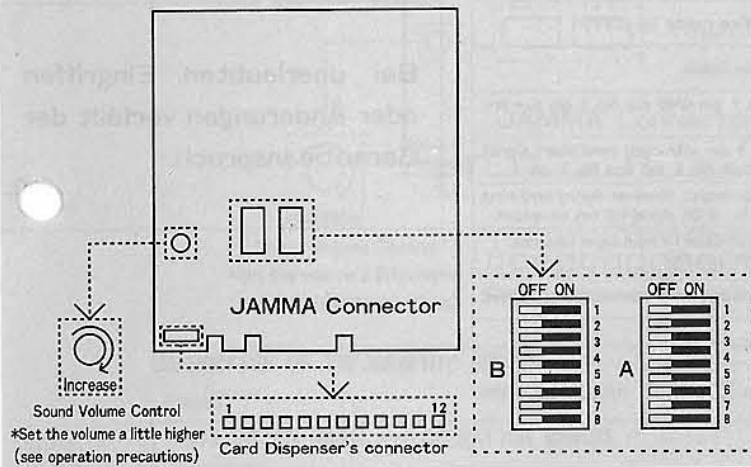
### Card Dispenser



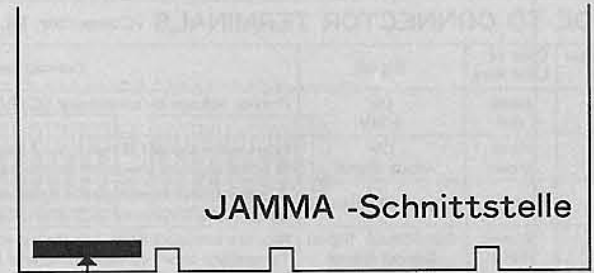
[Card dispenser]

- Connect to the Card Dispenser connector of the PC board.
- Pin allocations of the connector are as follows :

### ● Instruction of the PC Board



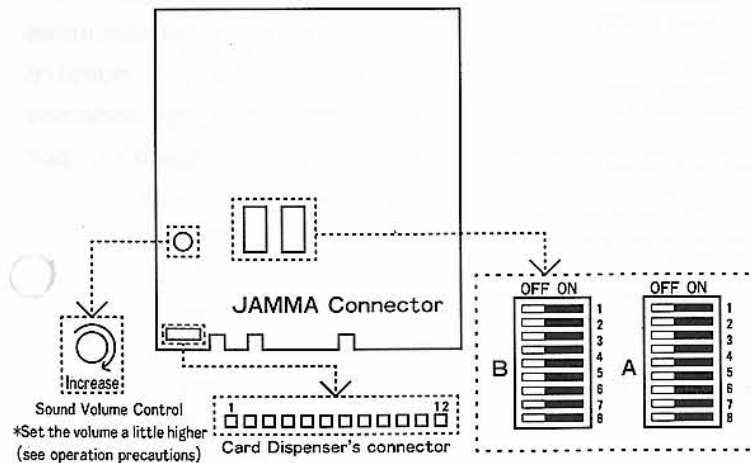
### Card Dispenser



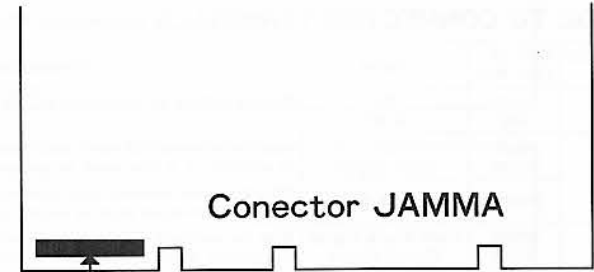
[Karten-Einschub]

- An den Anschluß für Karten-Einschub der Leiterplatte anschließen.
- Die Kontaktbelegung ist wie folgt:

### ● Instruction of the PC Board



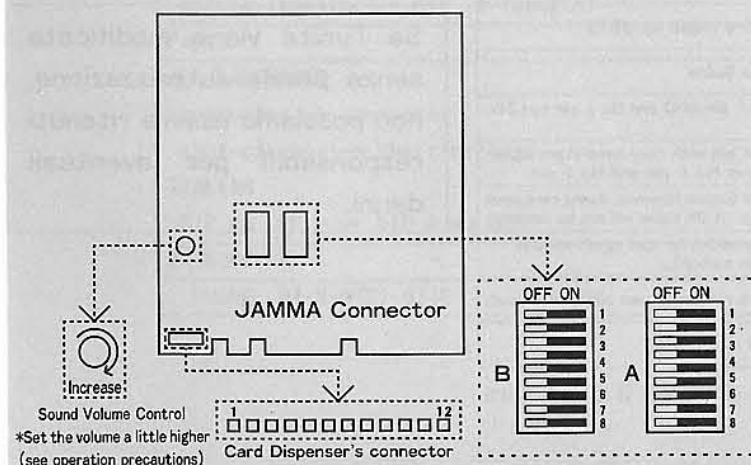
### Card Dispenser



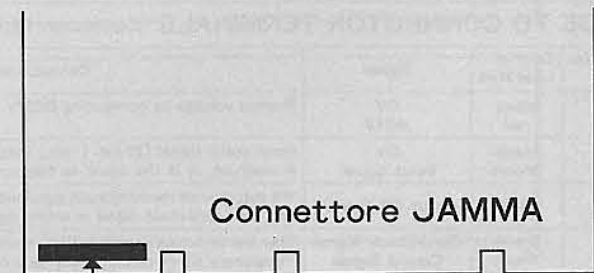
[Función de entrega de tarjetas]

- Enchufe el conector de entrega de tarjetas en el tablero de circuitos impresos.
- La distribución de patillas del conector es la siguiente:

### ● Instruction of the PC Board



### Card Dispenser



[Distributore di schede]

- collegare al connettore per il distributore di schede della scheda di circuito stampato.
- L'allocatione dei terminali del connettore è la seguente:

Pin allocations of the connector are as follows:

GUIDE TO CONNECTOR TERMINALS (Connector, MLR-12 Lord Wire made by JST)			
Connector Pin No.	Color of Lead Wire	Signal	Connections/Operations Guide
1 2	black red	OV +24V	Provide voltage by connecting DC24V $\pm$ 10% to No.1 pin GND and No.2 pin to+24V.
3 4	black brown	DV Input Signal	Input pulse signal (30 ms-1 sec) below 3 V to No. 4 pin with card send start signal. In addition, it is the same to temporary short-circuit No. 4 pin and No. 3 pin.
5	orange	Input OK Signal	Will output when receiving input signal with open collector output. However, during card send, and when card-stuck signal or empty signal is output, in : it OK signal will not be output.
7 8	green black	Card-Stuck Signal Cancel Signal	When the card-stuck signal is emitted, it will cancel and set condition for input signal reception. Temporary short-circuit No. 7 and No. 8 pin. (with switch)
9	blue	Card Stick Signal	After retrying 5 times, it will output when the card is not sent. open collector output.
11	gray	Empty Signal	When card is empty, it will output. open collector output.

- Set switch No. 4 of the DIP Switch-A to off when connecting the Card Dispenser. Otherwise, set the switch to on.

Should the unit be modified without prior approval, we are not liable for any damage incurred.

Pin allocations of the connector are as follows:

GUIDE TO CONNECTOR TERMINALS (Connector, MLR-12 Lord Wire made by JST)			
Connector Pin No.	Color of Lead Wire	Signal	Connections/Operations Guide
1 2	black red	OV +24V	Provide voltage by connecting DC24V $\pm$ 10% to No.1 pin GND and No.2 pin to+24V.
3 4	black brown	DV Input Signal	Input pulse signal (30 ms-1 sec) below 3 V to No. 4 pin with card send start signal. In addition, it is the same to temporary short-circuit No. 4 pin and No. 3 pin.
5	orange	Input OK Signal	Will output when receiving input signal with open collector output. However, during card send, and when card-stuck signal or empty signal is output, in : it OK signal will not be output.
7 8	green black	Card-Stuck Signal Cancel Signal	When the card-stuck signal is emitted, it will cancel and set condition for input signal reception. Temporary short-circuit No. 7 and No. 8 pin. (with switch)
9	blue	Card Stick Signal	After retrying 5 times, it will output when the card is not sent. open collector output.
11	gray	Empty Signal	When card is empty, it will output. open collector output.

- Kontakt 4 von DIP-Schalter A auf OFF stellen, wenn der Karten-Einschub angeschlossen wird. Ansonsten auf ON stellen.

Bei unerlaubten Eingriffen oder Änderungen verfällt der Garantieanspruch.

Pin allocations of the connector are as follows:

GUIDE TO CONNECTOR TERMINALS (Connector, MLR-12 Lord Wire made by JST)			
Connector Pin No.	Color of Lead Wire	Signal	Connections/Operations Guide
1 2	black red	OV +24V	Provide voltage by connecting DC24V $\pm$ 10% to No.1 pin GND and No.2 pin to+24V.
3 4	black brown	DV Input Signal	Input pulse signal (30 ms-1 sec) below 3 V to No. 4 pin with card send start signal. In addition, it is the same to temporary short-circuit No. 4 pin and No. 3 pin.
5	orange	Input OK Signal	Will output when receiving input signal with open collector output. However, during card send, and when card-stuck signal or empty signal is output, in : it OK signal will not be output.
7 8	green black	Card-Stuck Signal Cancel Signal	When the card-stuck signal is emitted, it will cancel and set condition for input signal reception. Temporary short-circuit No. 7 and No. 8 pin. (with switch)
9	blue	Card Stick Signal	After retrying 5 times, it will output when the card is not sent. open collector output.
11	gray	Empty Signal	When card is empty, it will output. open collector output.

- Mueva el interruptor DIP A No. 4 a OFF antes de conectar el dispositivo de entrega de tarjetas. Si no va a hacer esta conexión, deje el interruptor en ON.

Si se hacen modificaciones en el aparato sin nuestro consentimiento no podemos hacernos responsables por los daños producidos.

Pin allocations of the connector are as follows:

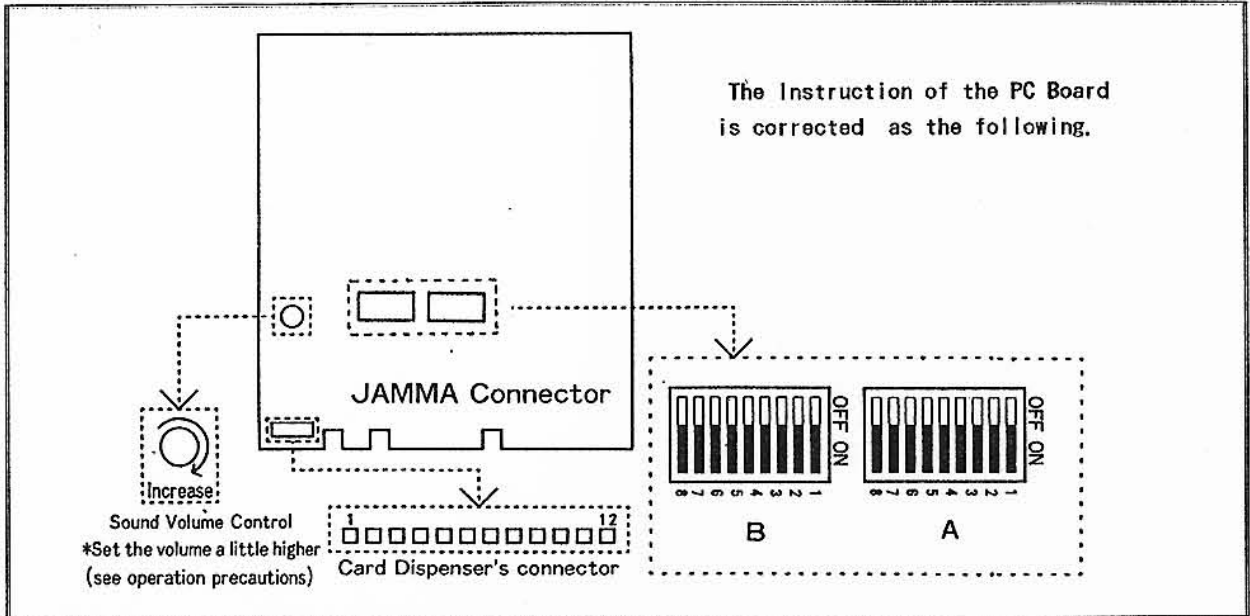
GUIDE TO CONNECTOR TERMINALS (Connector, MLR-12 Lord Wire made by JST)			
Connector Pin No.	Color of Lead Wire	Signal	Connections/Operations Guide
1 2	black red	OV +24V	Provide voltage by connecting DC24V $\pm$ 10% to No.1 pin GND and No.2 pin to+24V.
3 4	black brown	DV Input Signal	Input pulse signal (30 ms-1 sec) below 3 V to No. 4 pin with card send start signal. In addition, it is the same to temporary short-circuit No. 4 pin and No. 3 pin.
5	orange	Input OK Signal	Will output when receiving input signal with open collector output. However, during card send, and when card-stuck signal or empty signal is output, in : it OK signal will not be output.
7 8	green black	Card-Stuck Signal Cancel Signal	When the card-stuck signal is emitted, it will cancel and set condition for input signal reception. Temporary short-circuit No. 7 and No. 8 pin. (with switch)
9	blue	Card Stick Signal	After retrying 5 times, it will output when the card is not sent. open collector output.
11	gray	Empty Signal	When card is empty, it will output. open collector output.

- Regolare l'interruttore num. 4 degli interruttori DIP su OFF quando si collega il distributore di schede; in caso contrario, regolare l'interruttore su ON.

Se l'unità viene modificata senza previa autorizzazione, non possiamo essere ritenuti responsabili per eventuali danni.

The Main Board doesn't supply the power to the Card Dispenser (Connector Pin no. 2)  
 When connecting the Card Dispenser, confirm the using voltage(5v, 12v, 24v),  
 and connect the power from the Cabinet separately.

**CORRECTION**



**CORRECTION OF TYPOGRAPHIC ERROR**

Page1

OPERATION MANAL → OPERATION MANUAL

**ENGLISH**

one the important → one of the important

**ITALIAN**

Monitor:Monitor → Monitor:Monitor verticale

Page2

**ENGLISH**

whithout → without

**CHART**

Edga Connector → Edge Connector

machins → machine

desjgnated → designated

Page3

**ENGLISH**

when → When

**ITALIAN**

pcr le immajini → per le immagini

Page5

**ALL LANGUAGES**

connector → connector

shot-circuit → short-circuit

**ITALIAN**

DIP su OFF → DIP A su OFF

**BACK COVER**

PHONE 81-3-3921-9715

**KANEKO**<sup>TM</sup>

**KANEKO CO.,LTD.**  
NO.8-23-21, SHAKUJIIDAI,  
NERIMA-KU TOKYO 177,  
JAPAN.  
PHONE: 03-921-9661