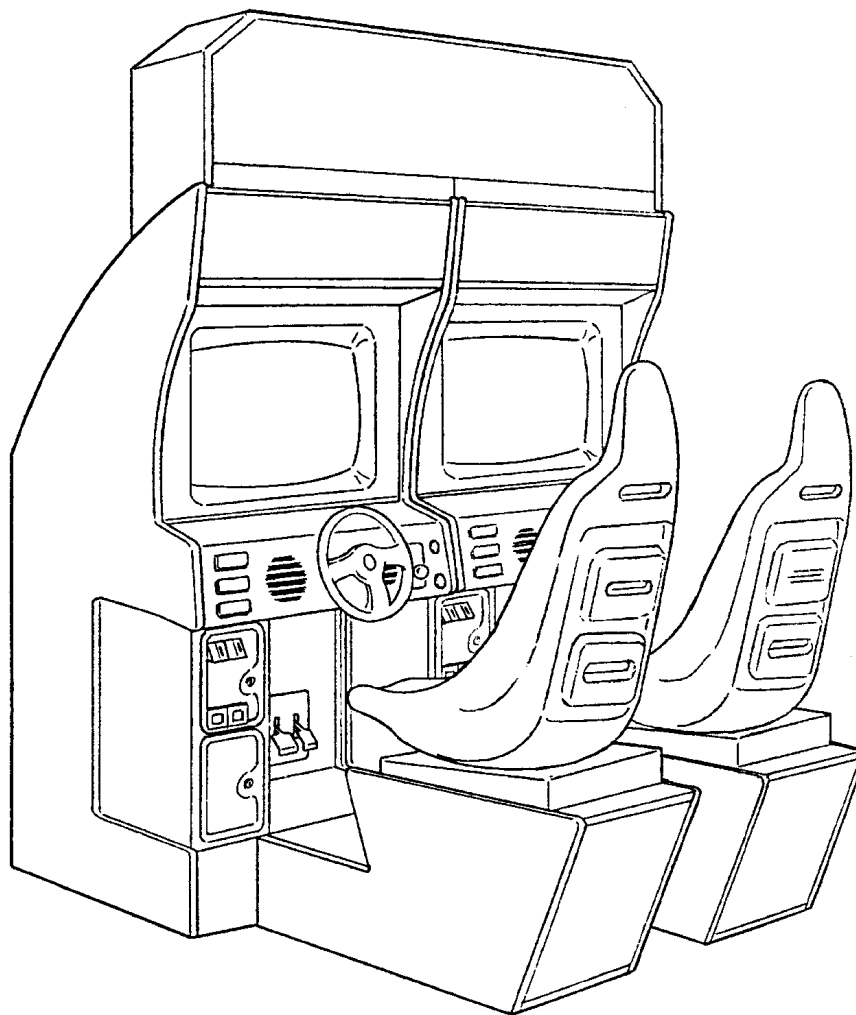


**MIDWAY**

January 1995  
16-9939

# CRUIS'N USA SIT DOWN



**INSTALLATION MANUAL FOR LINKING KIT.**

**COVERS BASIC (45636) & DELUXE (45736, 45836) KITS.**

Midway Manufacturing Company  
3401 North California Avenue  
Chicago, Illinois 60618

## CONVERSION PROCEDURE

Unpack materials from carton and check for obvious signs of damage. Use checklist below to be sure kit is complete.

### Parts List:

PART NUMBER	ITEM DESCRIPTION	DELUXE	BASIC KIT
		KIT 45736 45836	45636
		QTY	QTY
A-19354	Neon Header Assembly	1	
A-19993	Linking Decode Pal	2	2
A-5343-45736-10	U10 EPROM	2	2
A-5343-45736-11	U11 EPROM	2	2
A-5343-45736-12	U12 EPROM	2	2
A-5343-45736-13	U13 EPROM	2	2
H-14004	Y-Cable	2	
H-19492	AC Cable	2	
01-13546	Marquee Mounting Bracket	2	
01-13811-1	Header Plate, Left	1	
01-13811-2	Header Plate, Right	1	
01-13858	Lower Front Bracket	1	1
16-9939	Manual	1	
20-10140	Tamper Proof Wrench T27	1	
20-10166-05	Tamper Proof Screw Bit T15	1	
20-10166-08	Tamper Proof Screw Bit T27	1	
31-2303	Marquee Artwork, Left	1	1
31-2304	Marquee Artwork, Right	1	1
4020-01100-08	1/4-20 x 1/2" Tamper Proof Screws	6	
4020-01178-08	1/4-20 x 1/2" Hex-head Bolt	4	
4320-01124-32	1/4-20 x 2" Hex-head Bolt	2	2
4320-01124-56	1/4-20 x 3 1/2" Hex-head Bolt	2	2
4420-01141-00	1/4-20 Flange-grip Nut	4	4
4700-00032-00B	.265 x .625 x .067 Flat Washer	12	8
4702-00014-00B	1/4" Star Lock Washer	22	4
5797-14511-00	Linking Cable	1	1

Not all mounting hardware in this kit will be used, extra has been provided.

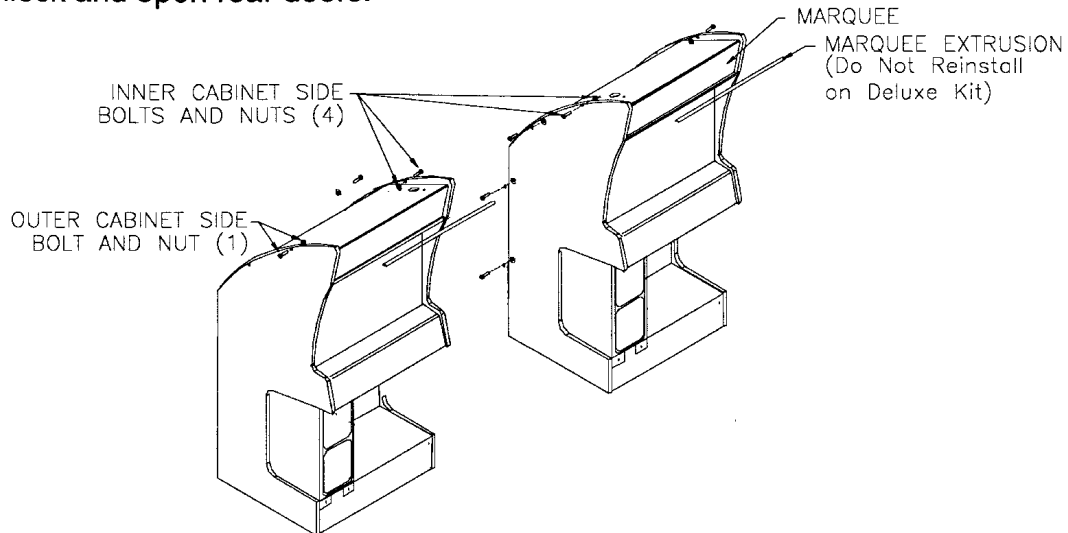
### Recommended Tools and Supplies:

Reversible Drill	For Drilling and Turning Screws
Hole Saw	1" or 1 1/8" Diameter for Cable Holes
Socket Set	7/16" Socket and 7/16" Wrench
T15 Torx Bit	Supplied in Spare Parts Kit
T27 Torx Bit	Supplied in Spare Parts Kit

## SETUP INSTRUCTIONS

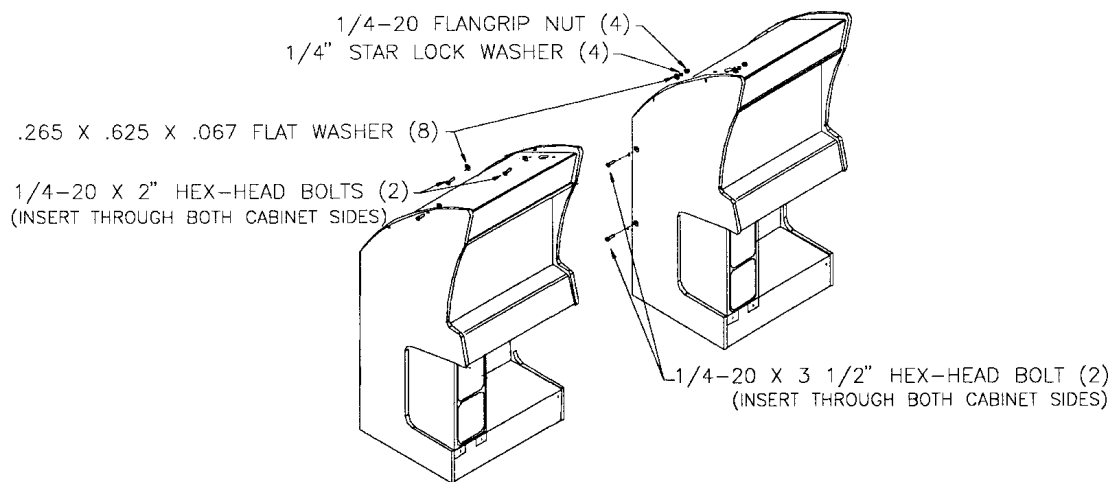
NOTE: To install BASIC KIT, follow starred instructions only.

- \*1. Turn power Off and unplug both games.
- \*2. Unlock and open rear doors.

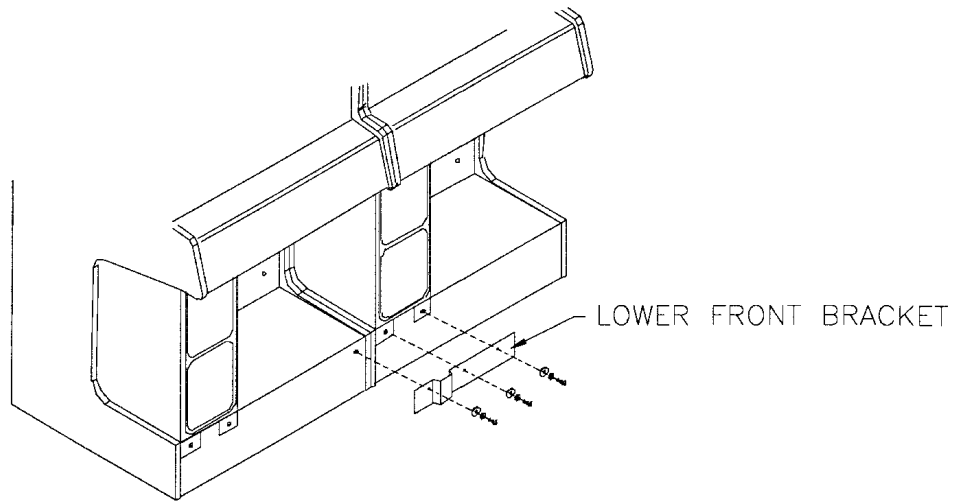


(Pedestals removed for drawing clarity.)

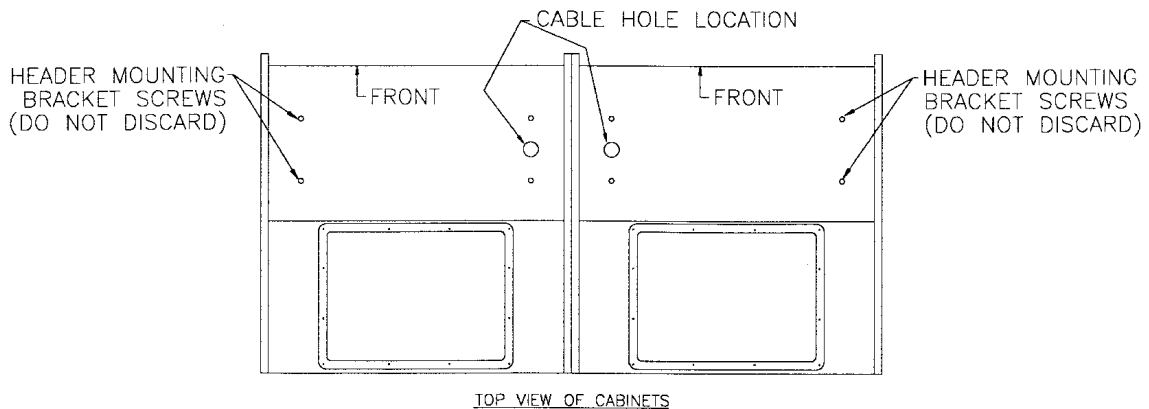
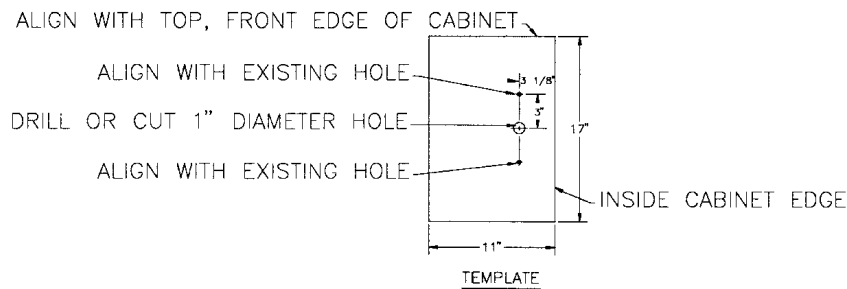
- \*3. Remove four bolts and nuts from along cabinet top and back edges (remove only from sides to be fastened together). Remove one bolt and nut from top, outer cabinet sides (save this bolt, it will be reused to mount header assembly).
- \*4. Remove marquee extrusions and marquees on both cabinets. The extrusions will not be used with the neon header assembly, on Deluxe Kit only.



- \*5. Bolt the two cabinets together using hardware, as shown above, from the spare parts bag.

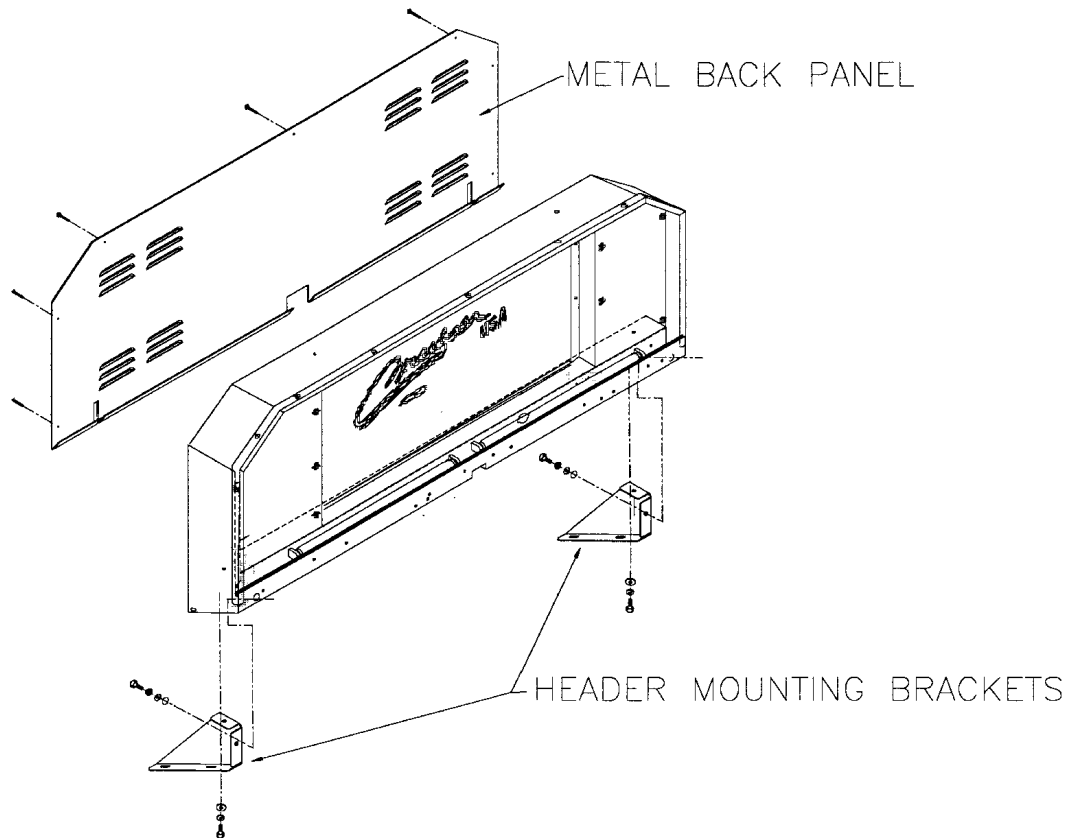


- \*6. Install lower front bracket. Remove three tamper proof screws, star washers and flat washers from cabinet base. Screw bracket in place using the existing hardware.



7. Use the drilling template to mark cable hole locations (template is the last page in this booklet). Align template with existing holes on cabinet top. Drill a series of 3/8" diameter holes around the perimeter of circle, or simply use a 1" or 1 1/8" diameter hole saw. A Jig saw may be used if care is taken avoid wire locations inside marquee areas. Flip template over to drill hole for opposing cabinet.

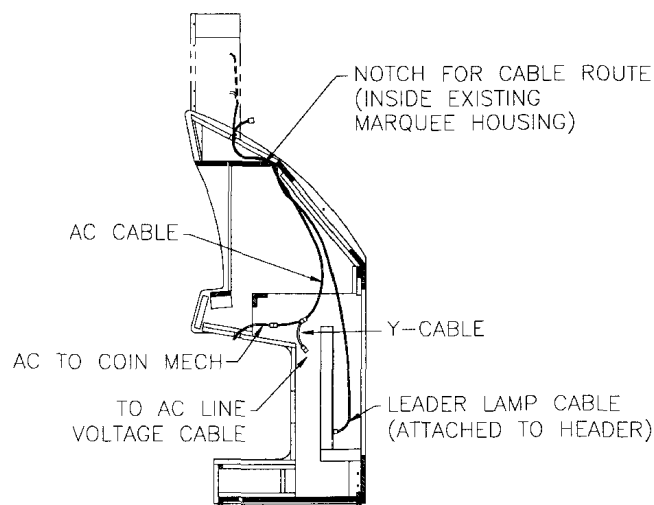
8. Install neon header assembly.



- a) Remove metal back panel from header assembly, using the T15 screw bit.
- b) Install header mounting brackets using two 1/4-20 x 1/2" hex-head screws, star washers and flat washers per bracket, from spare parts bag.
- c) With the T27 screw bit, remove two tamper proof screws, star washers and flat washers from outer edge of each cabinet top, this is where header mounting brackets will fasten (see "TOP VIEW OF CABINETS" above). Set screws aside, they will be reused to mount the header brackets.

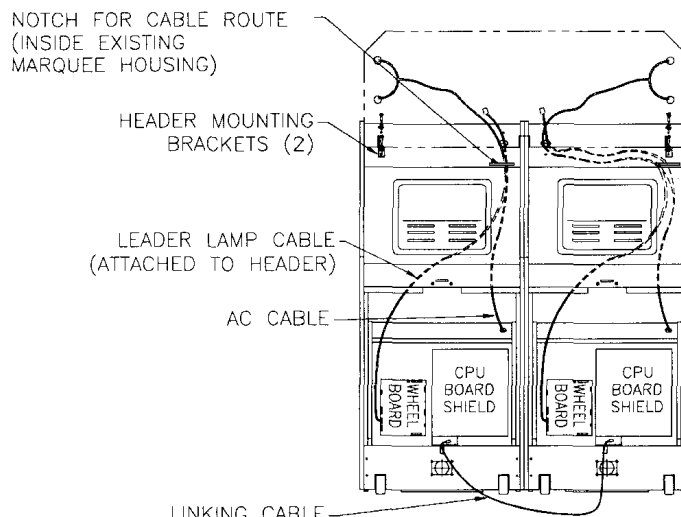
***The next step requires two people, it will make the job much easier.***

- d) Raise neon header assembly and align mounting brackets with holes in cabinets. Insert previously removed screws, star washers and flat washers, finger tight into header mounting brackets. Adjust front neon housing flush to front edge of cabinets, then tighten mounting screws.
- e) Replace the two bolts previously saved from outer cabinet sides. Screw through cabinet, into side of header assembly. (see "HEADER PLATES", following page).



SIDE VIEW  
SHOWING CABLE ROUTING

- f) Connect both AC cables (H-19492) to connectors located at rear of header assembly. Route one each, AC and fluorescent cable, through top hole of each cabinet, then through the existing notches in back of cabinet marquee areas. NOTE: The cabinet fluorescent cables are routed through these notches, so it will be necessary to push them aside to run the connectors through.



BACK VIEW  
SHOWING CABLE ROUTING

- g) Connect cables as follows:

Connect leader lamp cable (orange-violet) to wheel board at location P7.

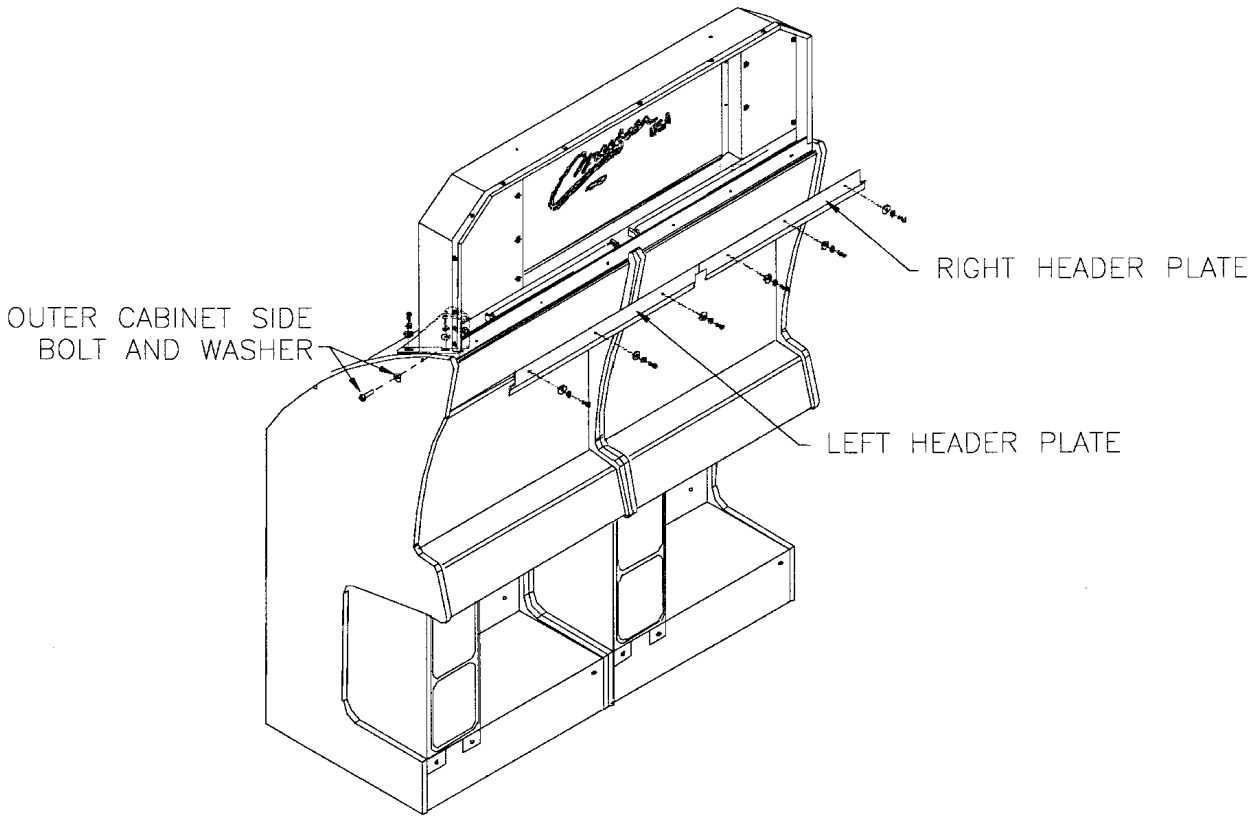
Connect fluorescent AC cable (H-19492) to Y-cable (H-14004).

Disconnect bill acceptor AC cable (if used).

Connect Y-cable to AC line voltage cable.

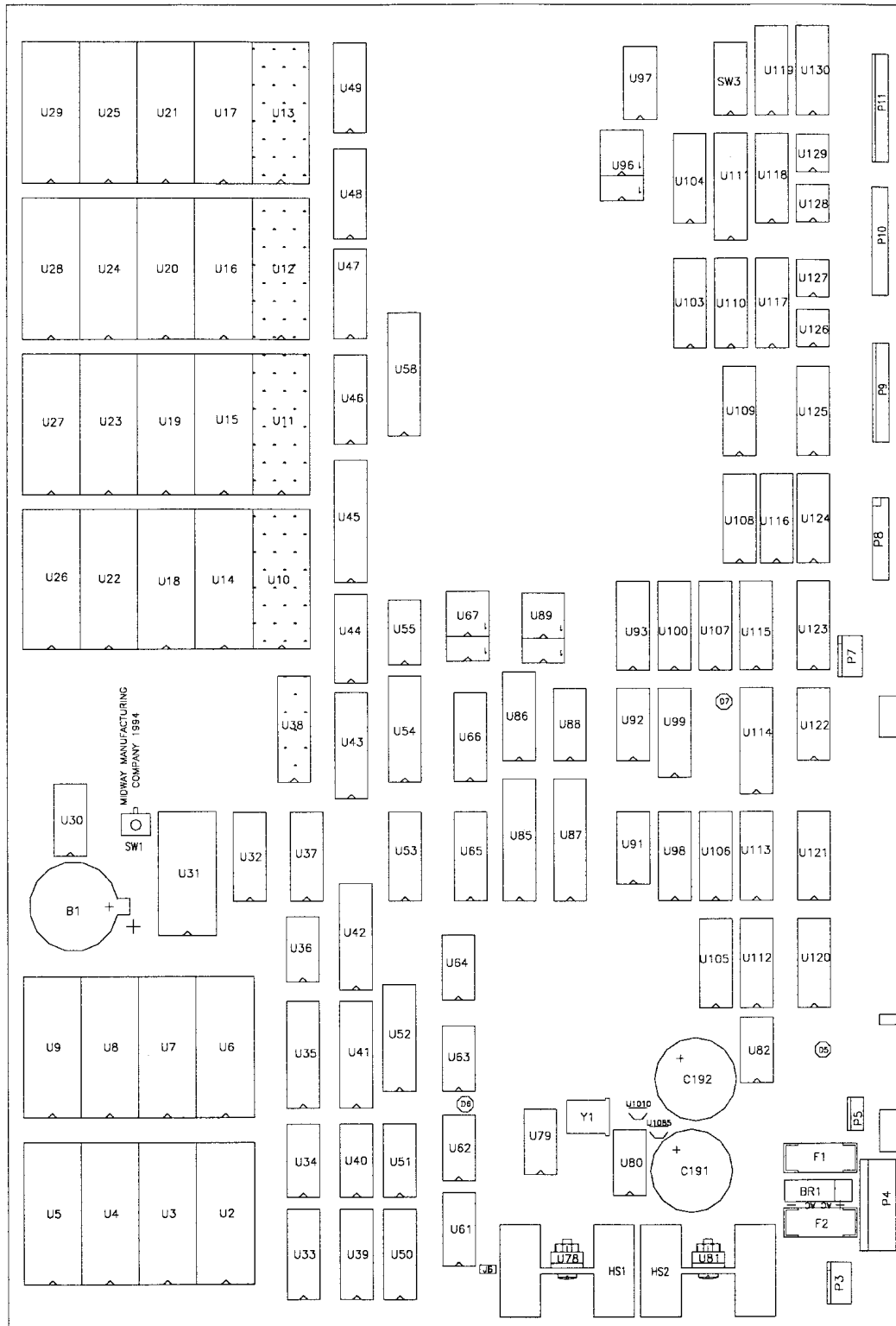
Connect Y-cable to bill acceptor AC cable (if used).

\*Connect linking cable (5797-14511-00) to either 25-pin D-connector, located under CPU board shield, on both games.



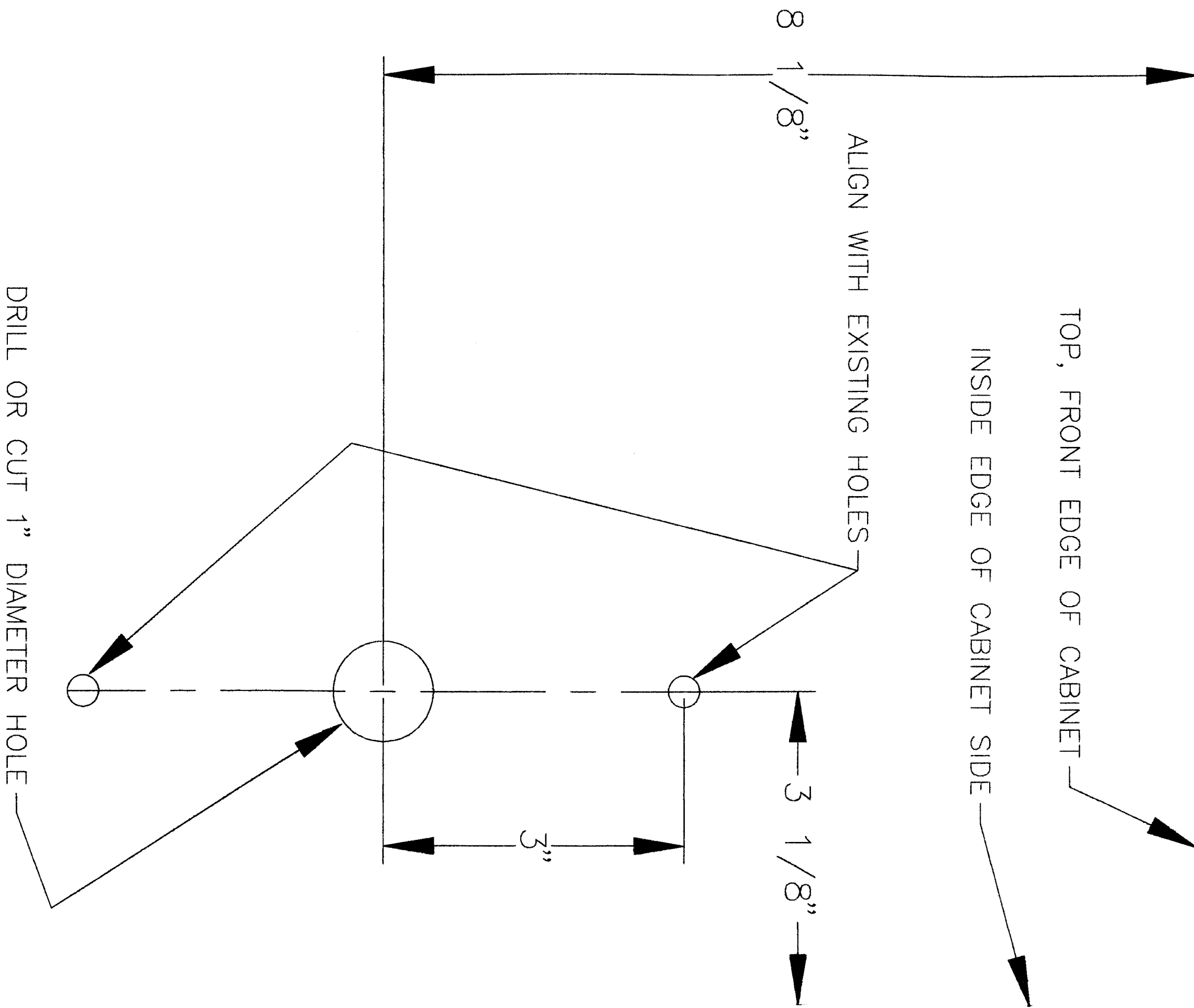
#### HEADER PLATES

- h) Check to make sure all lights work by switching On power to both games.
- \*i) Insert new marquee art using small plastic extrusions to retain artwork to back side of glass. Slide glass back into wood grooves.  
\*Reinstall marquee extrusions for Basic Kit.
- j) Screw left and right header plates on bottom, front of header using the T27 screw bit, six 1/4-20 x 1/2" tamper proof screws, star washers and flat washers, from the spare parts bag.
- k) Reinstall rear metal panel on header assembly carefully to avoid pinching wires.



9. Install new EPROM's at locations U10, U11, U12, U13, and linking decode pal at location U38.





NOTE: FLIP TEMPLATE OVER TO  
DRILL OPPOSING CABLE HOLE  
FOR ADJACENT CABINET TOP.

1



# CRUIS'N USA LINKING KIT

## MANUAL AMENDMENT

---

### IMPORTANT INFORMATION!

DIP Switch Settings for linked games should be as follows:

**Left Game (Player 1)**

DIP Switch 2 (U97)

SW6 = ON (Link On)

SW8 = ON (Master)

**Right Game (Player 2)**

DIP Switch 2 (U97)

SW6 = ON (Link On)

SW8 = OFF (Slave)

