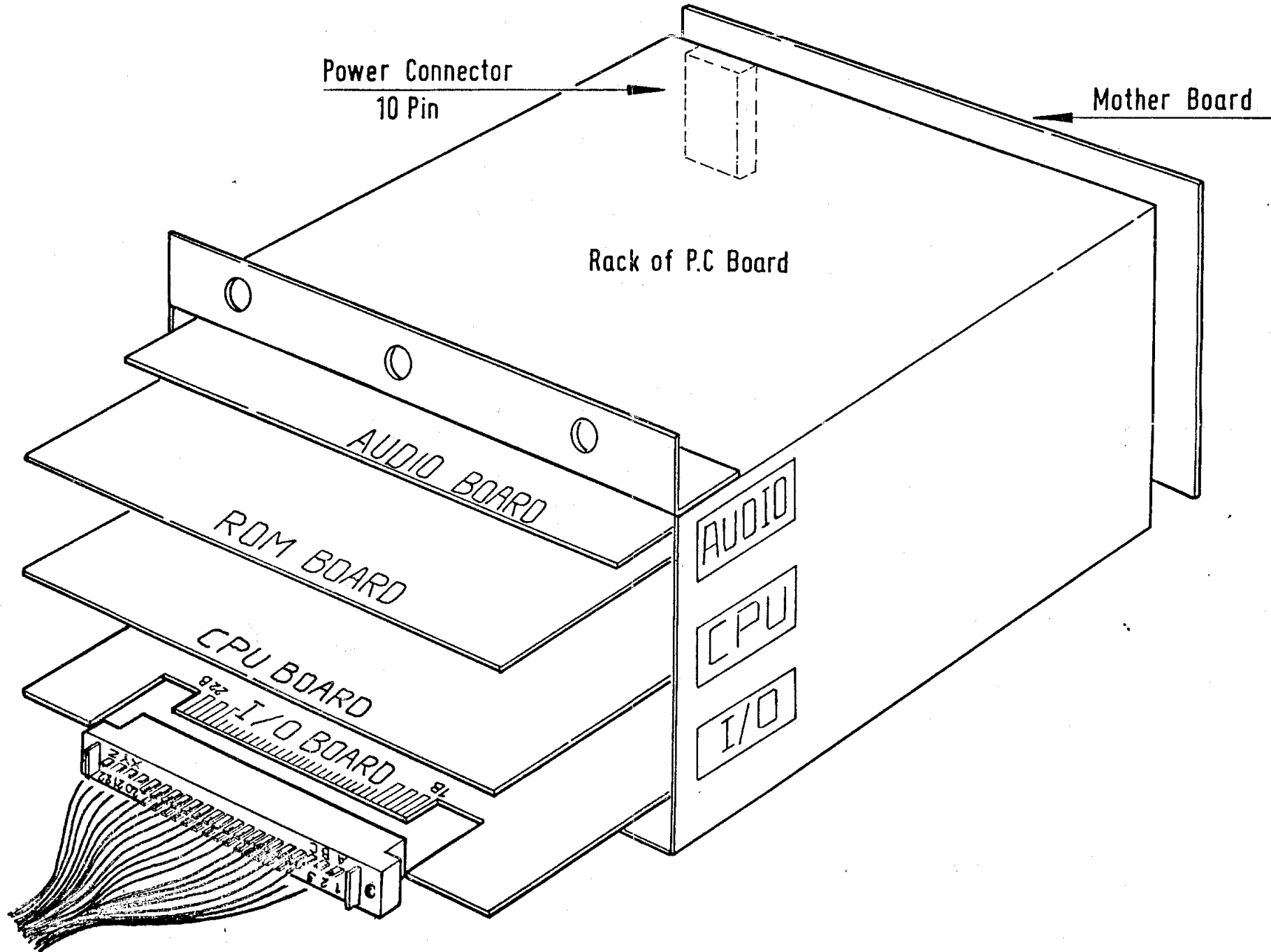
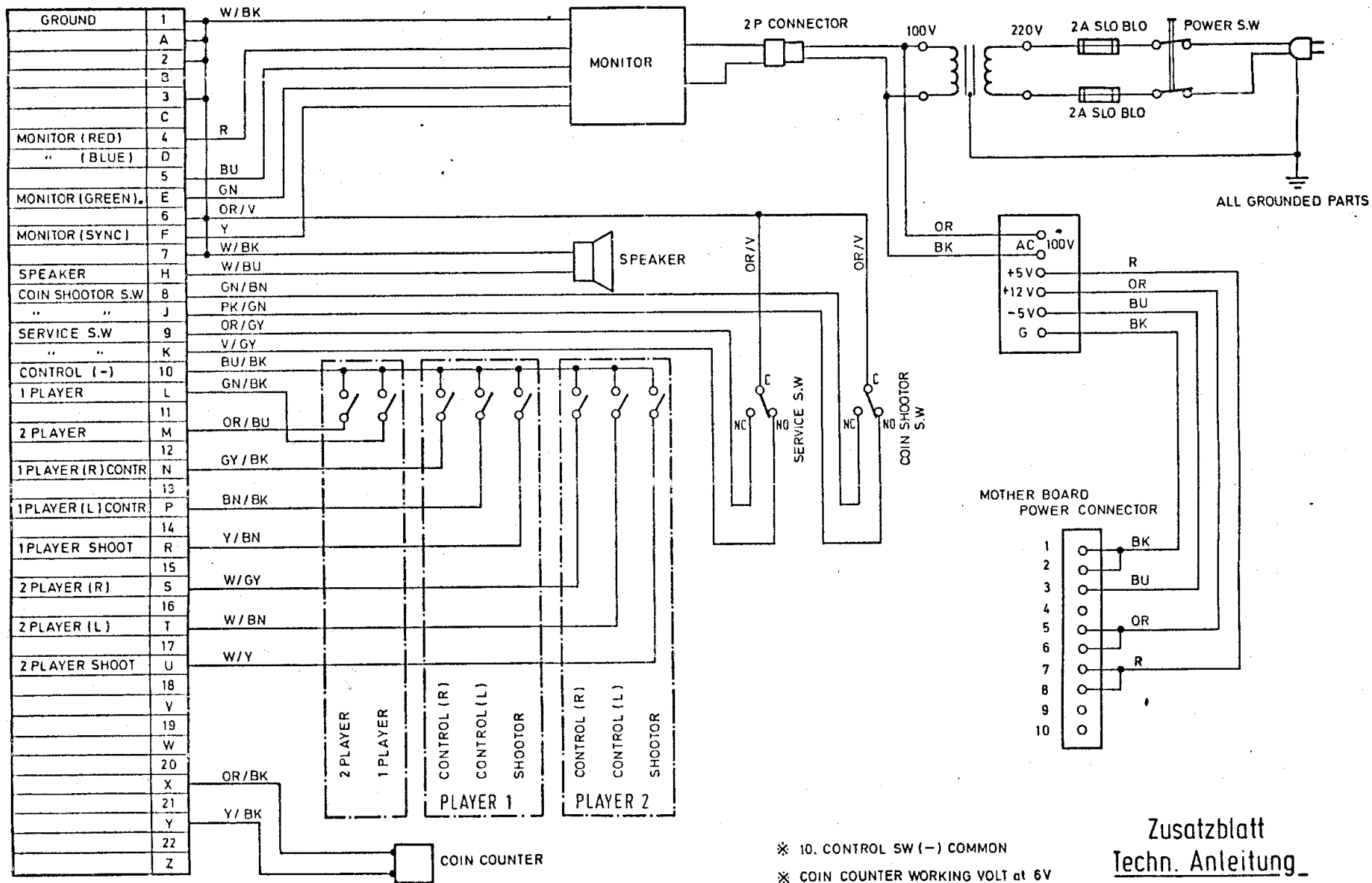


ASTRO FIGHTER P.C Board Ray-Out





- * 10. CONTROL SW (-) COMMON
- * COIN COUNTER WORKING VOLT at 6V

Zusatzblatt
 Techn. Anleitung

208 652 / 44000 290