

January 1993
16-9485



COIN DOOR
NRI
CONVERSION
for WPC

Williams Electronics Games, Inc.

Midway Manufacturing Company

3401 N. California Ave.
Chicago, IL 60618

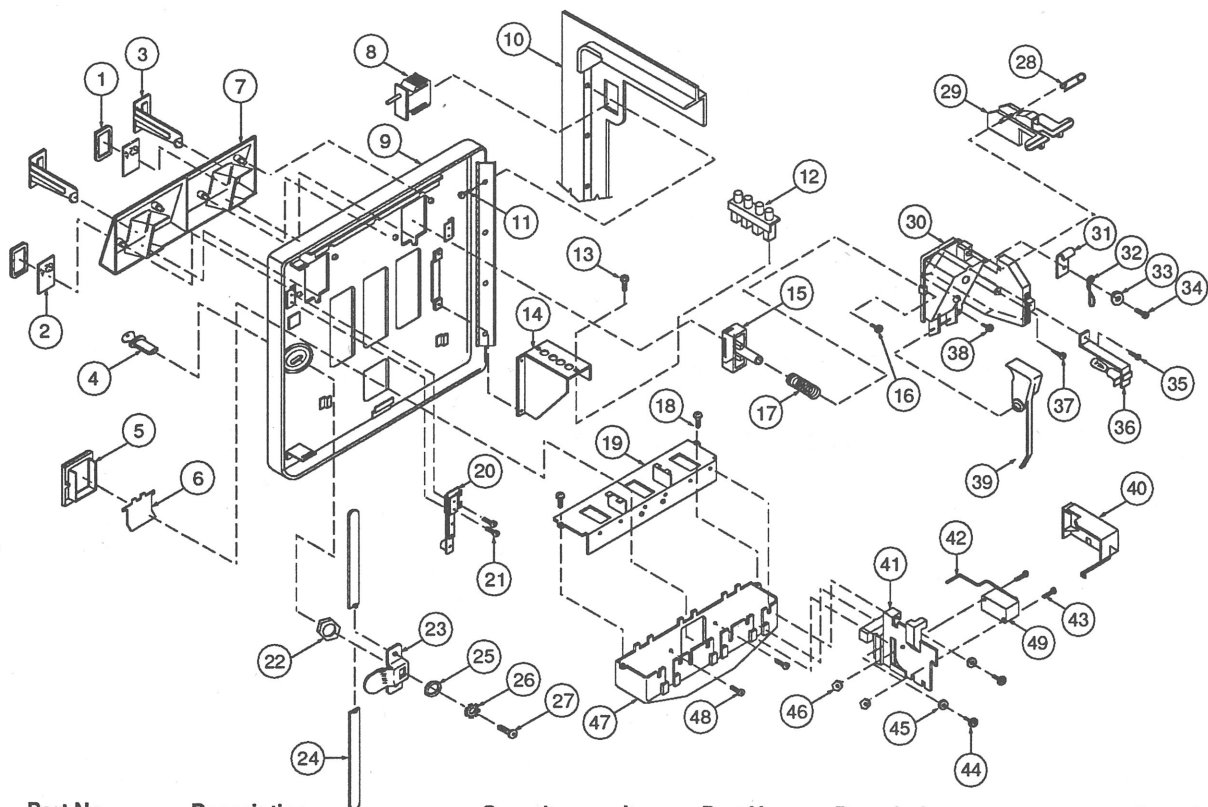
Table of Contents

2-Slot Coin Door Parts Assembly	2
1-Slot Coin Door Parts Assembly	3
Coin Door Interface Board Parts Assembly	4
Coin Door Interface Board Schematic	5
Cabinet Front View	6
NRI Coin Rejector	7

2-Slot Coin Door Assembly

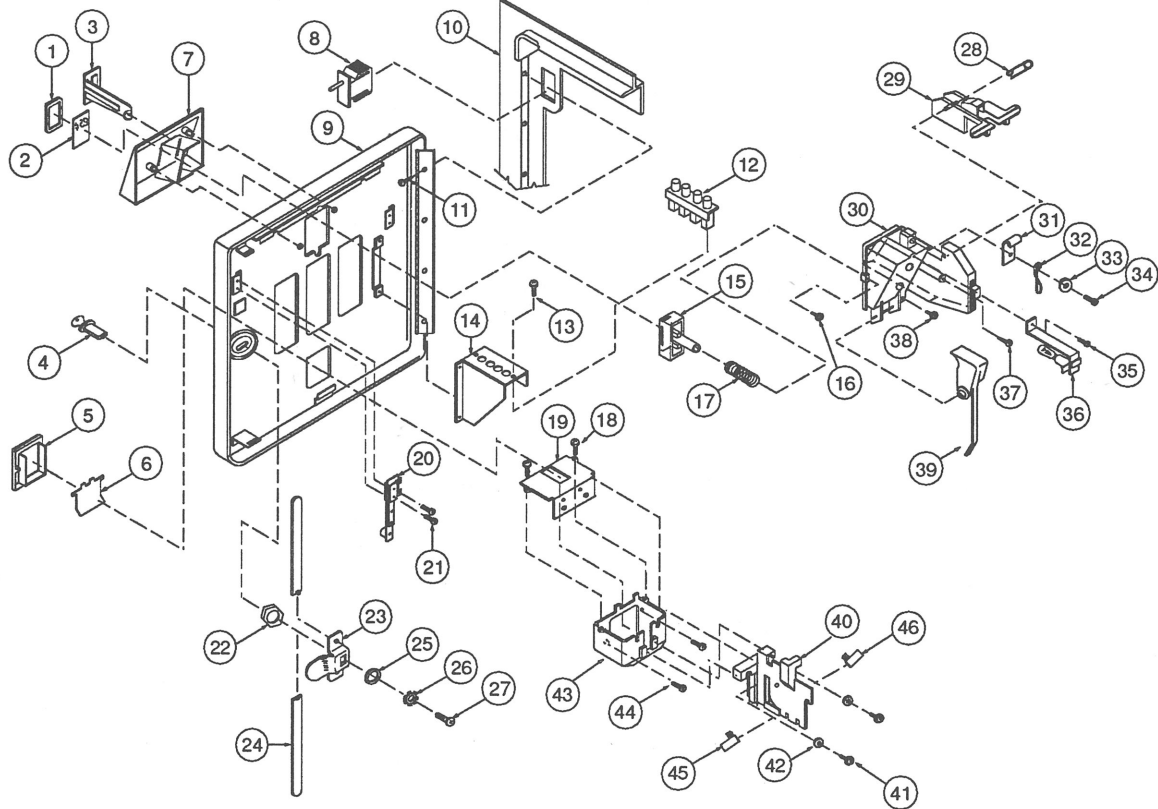
09-23002-31 Australia

09-23002-33 New Zealand



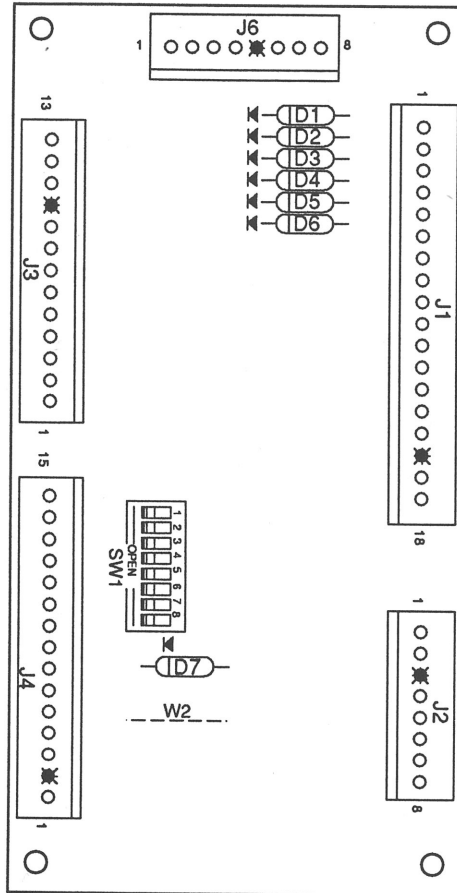
Item	Part No.	Description	Quantity	Item	Part No.	Description	Quantity
1	27-1038	Button Cover	2	30	27-1112	Coin Inlet Chute	2
2	27-1041-61, -2	Pricing Label (Australia)	1Ea.	31	27-1088	Cable Clamp	2
	27-1041-62, -65	Pricing Label (New Zealand)	1Ea.	32	27-1025	Key Hook	1
3	27-1026-17, -11	Coin Entry Plate	1Ea.	33	27-1086	Washer, #6	2
4	27-1016	Lock Assembly	1	34	27-1078	M/C Screw, 6-32 x 3/8	1
5	27-1061-1	Coin Return - Bezel	1		27-1113	M/C Screw, 6-32 x 7/16	1
6	27-1062	Coin Return Flap	1	35	27-1079	Self-tapping Screw, #6 x 1/4	2
7	27-1021	Button Housing - 2-slot	1	36	27-1084	Lamp Socket	2
8	27-1111	Interlock Switch	1		27-1085	Lamp	2
9	27-1006-1	Coin Door, (with hinge)	1	37	27-1096	Self-tapping Screw, #5 x 3/8	2
10	27-1005	Coin Door Frame	1	38	27-1087	M/C Screw, 6-32 x 5/8	2
11	27-1003	M/C Screw, 6-32 x 3/16	4	39	27-1082	Lever Arm	2
12	5641-12724-00	Diagnostic Switch	1	40	27-1097	Switch Cover	2
13	27-1101	M/C Screw, 4-40 x 1/4	2	41	27-1091-1	Coin Accept Chute	2
14	01-9885	Bracket, Diagnostic Switch	1	42	27-1075	Wire Form (Australia)	1
15	27-1037	Plastic Button	1		27-1093	Wire Form (New Zealand)	1
16	27-1078	M/C Screw, 6-32 x 3/8	2	43	27-1094	M/C Screw, 4-40 x 7/8	4
17	27-1039	Conical Spring	2	44	27-1087	M/C Screw, 6-32 x 5/8	4
18	27-1079	Self-tapping Screw, #6 x 1/4	2	45	27-1086	Washer, #6	4
19	27-1077-1	Coinbox Cover	1	46	27-1095	Nut, 4-40 ESNA	4
20	27-1066	Slam Switch	1	47	27-1076	Coin Return Box	1
21	27-1067	M/C Screw, 4-40 x 1/2	2	48	27-1078	M/C Screw, 6-32 x 3/8	2
22	27-1017	Nut (key)	1	49	27-1092	Microswitch	2
23	27-1012	Locking Cam	1	Items Not Pictured			
24	27-1011	Locking Arm	2	50	09-8938	\$1 Rejector (Australia)	1
25	27-1020	Washer	1	51	09-8964	\$1 Rejector (New Zealand)	1
26	27-1018	Star Washer	1	52	27-1122	Cable for 2-Slot Door	1
27	27-1019	M/C Screw, 1/4-28 x 5/16	1				
28		Purchased as part of item 30.					
29		Purchased as part of item 30.					

1-Slot Coin Door Assembly 09-34000



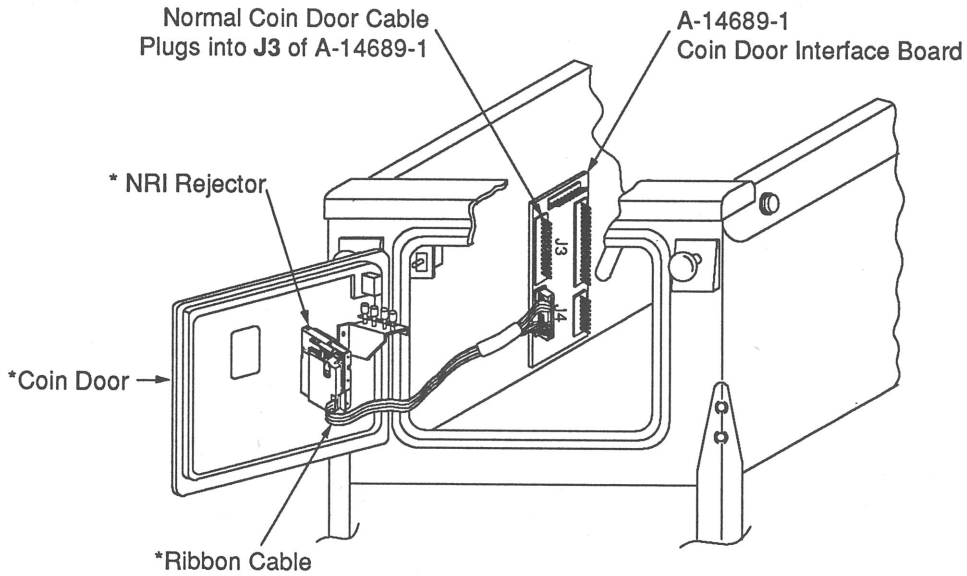
Item	Part No.	Description	Quantity	Item	Part No.	Description	Quantity
1	27-1038	Button Cover	1	30	27-1112	Coin Inlet Chute	1
2	27-1041-64	Pricing Label	1	31	27-1088	Cable Clamp	1
3	27-1026-18	Coin Entry Plate	1	32	27-1025	Key Hook	1
4	27-1016	Lock Assembly	1	33	27-1086	Washer, #6	1
5	27-1061-1	Coin Return - Bezel	1	34	27-1113	M/C Screw, 6-32 x 7/16	1
6	27-1062	Coin Return Flap	1	35	27-1079	Self-tapping Screw, #6 x 1/4	1
7	27-2028	Button Housing, 1-slot	1	36	27-1084	Lamp Socket	1
8	27-1111	Interlock Switch	1		27-1085	Lamp	1
9	27-2029	Coin Door, (with hinge)	1	37	27-1096	Self-tapping Screw, #5 x 3/8	1
10	27-1005	Coin Door Frame	1	38	27-1087	M/C Screw, 6-32 x 5/8	1
11	27-1003	M/C Screw, 6-32 x 3/16	4	39	27-1082	Lever Arm	1
12	5641-12724-00	Diagnostic Switch	1	40	27-1091-1	Coin Accept Chute	1
13	27-1101	M/C Screw, 4-40 x 1/4	2	41	27-1087	M/C Screw, 6-32 x 5/8	2
14	01-9885	Bracket, Diagnostic Switch	1	42	27-1086	Washer, #6	2
15	27-1037	Plastic Button	1	43	27-2031	Coin Return Box	1
16	27-1078	M/C Screw, 6-32 x 3/8	1	44	27-1078	M/C Screw, 6-32 x 3/8	1
17	27-1039	Conical Spring	1	45	27-1031	Left Support Bracket	1
18	27-1079	Self-tapping Screw, #6 x 1/4	2	46	27-1030	Right Support Bracket	1
19	27-2030	Coinbox Cover	1		Item Not Pictured		
20	27-1066	Slam Switch	1	47	27-2034	Cable for 1-Slot Door	1
21	27-1067	M/C Screw, 4-40 x 1/2	2				
22	27-1017	Nut (key)	1				
23	27-1012	Locking Cam	1				
24	27-1011	Locking Arm	2				
25	27-1020	Washer	1				
26	27-1018	Star Washer	1				
27	27-1019	M/C Screw, 1/4-28 x 5/16	1				
28		Purchased as part of item 30.					
29		Purchased as part of item 30.					

A-14689-1 WPC Coin Door Interface Board



Part Number	Designator	Description
5070-09054-00	D1 - D7	Diode, 1N4004, 1.0A.
5791-10862-18	J1	Connector, 18-pin Header Str Sq.
5791-10862-08	J2, J6	Connector, 8-pin Header Str Sq.
5791-10862-13	J3	Connector, 13-pin Header Str Sq.
5791-10862-15	J4	Connector, 15-pin Header Str Sq.
5645-09025-00	SW1	Switch DIP 8 Pos.
5010-09534-00	W2	Resistor, 0Ω

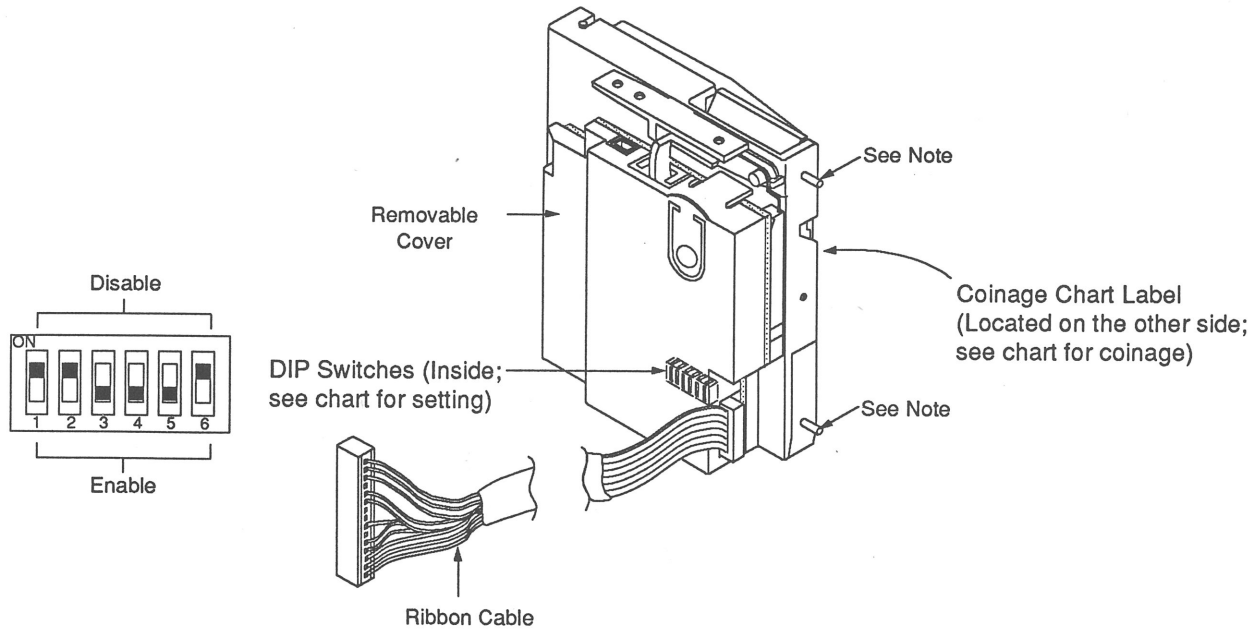
Cabinet Front View



* See chart below for ordering details.

	Australia	New Zealand	Belgium	Finland	Sweden	Germany
Coin Door Complete						
A-15909-2					●	
A-15909-3		●				
A-15909-4			●			
09-23002-31	●					
09-23002-33		●				
A-15909-1						●
Coin Door Sub-assembly						
09-34000		●	●	●	●	
Not Applicable	●	●				
Ribbon Cable						
5795-12859-01	●	●		●		
5795-12859-02			●			●
5795-12859-03				●		
NRI Rejector						
Willams Part No. / NRI Part No.						
09-33000-2				●		
09-33000-3		●				
09-33000-4			●			
Not Applicable	●					
Not Applicable		●				
09-33000-1						●

NRI Coin Rejector



Coinage Chart Label	Australia	New Zealand	Belgium	Finland	Sweden	Germany
Position 1	.05	.05	5	1A	1A	1
Position 2	.10	.10	20	5A	5	2
Position 3	.20	.20	50	./.	10	5
Position 4	1	1	./.	./.	1N	1E
Position 5	2	2	./.	./.	./.	2E
Position 6	./.	./.	./.	./.	./.	5E
DIP Switch Settings						
E=Enable / D=Disable						
Position 1	D	D	E	E	E	E
Position 2	D	D	E	E	E	E
Position 3	E	D	E	D	E	E
Position 4	E	E	D	D	E	D
Position 5	E	E	D	D	D	D
Position 6	D	D	D	D	D	D

NOTE

It is recommended that two locating pins be used when installed in a **WILLIAMS/BALLY** Coin Door.

