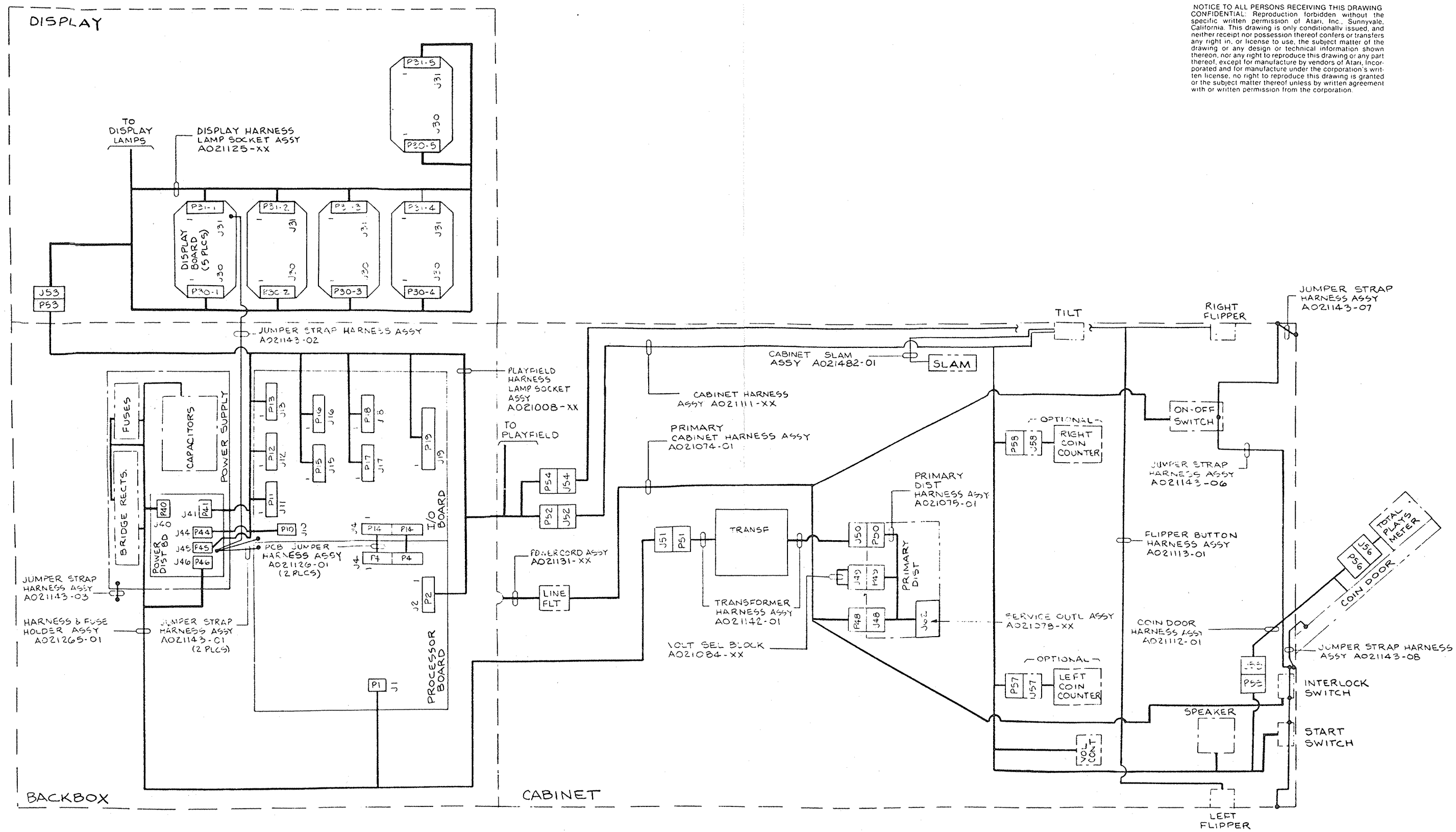


NOTICE TO ALL PERSONS RECEIVING THIS DRAWING
 CONFIDENTIAL: Reproduction forbidden without the
 specific written permission of Atari, Inc., Sunnyvale,
 California. This drawing is only conditionally issued, and
 neither receipt nor possession thereof confers or transfers
 any right in, or license to use, the subject matter of the
 drawing or any design or technical information shown
 thereon, nor any right to reproduce this drawing or any part
 thereof, except for manufacture by vendors of Atari, Incor-
 porated and for manufacture under the corporation's writ-
 ten license, no right to reproduce this drawing is granted
 or the subject matter thereof unless by written agreement
 with or written permission from the corporation.



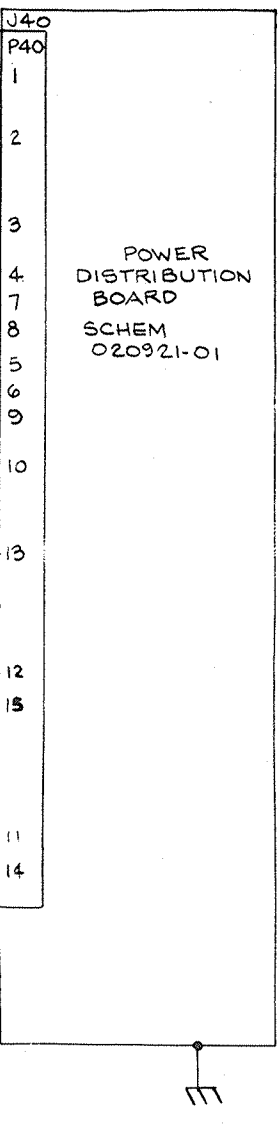
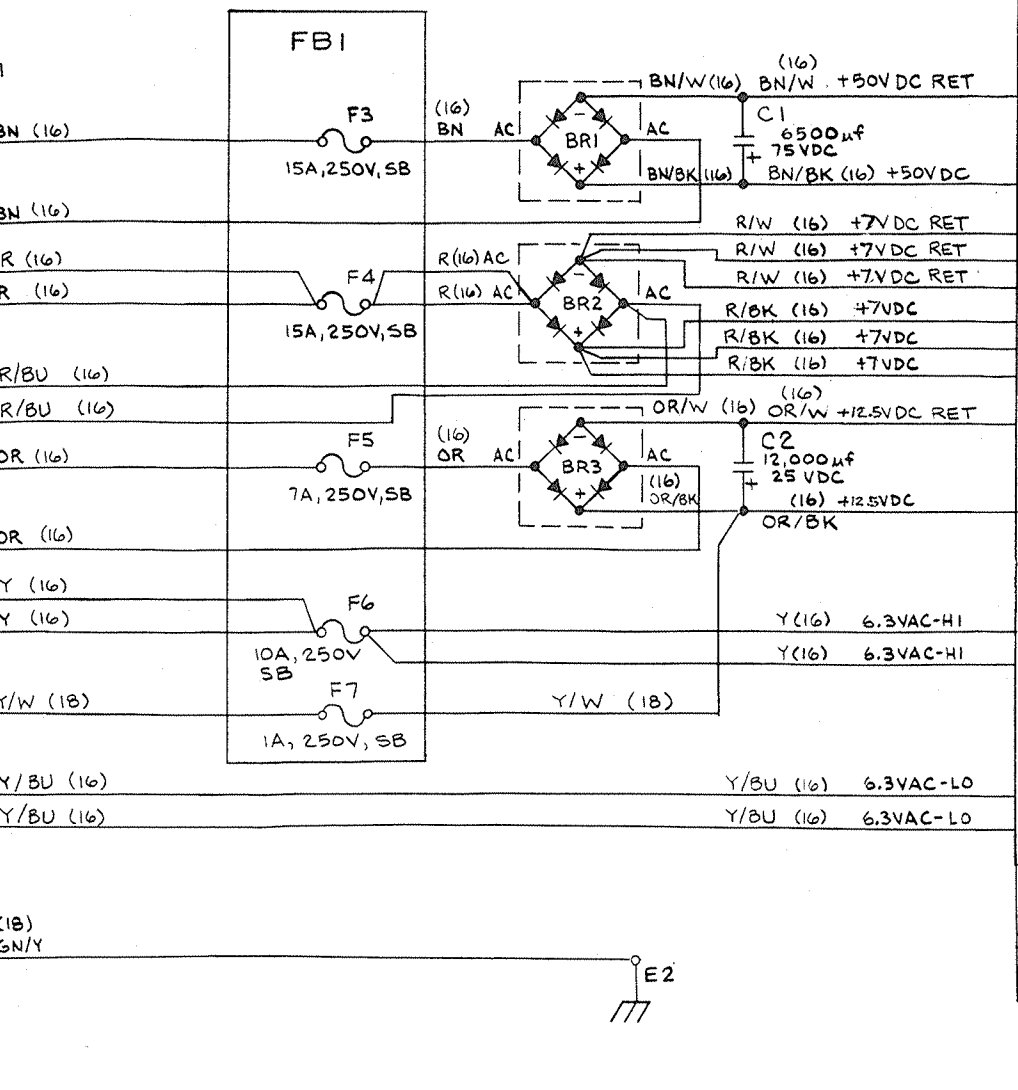
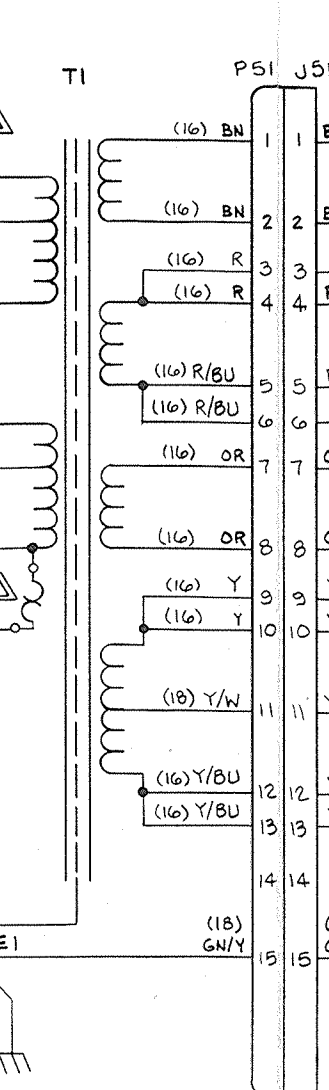
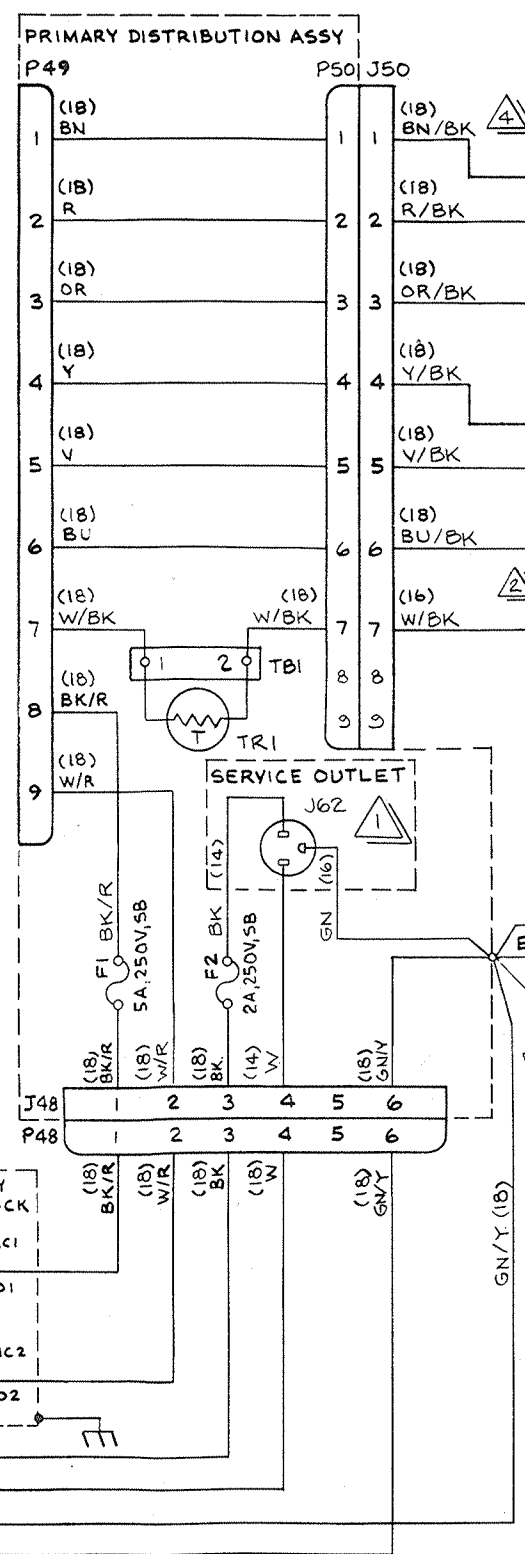
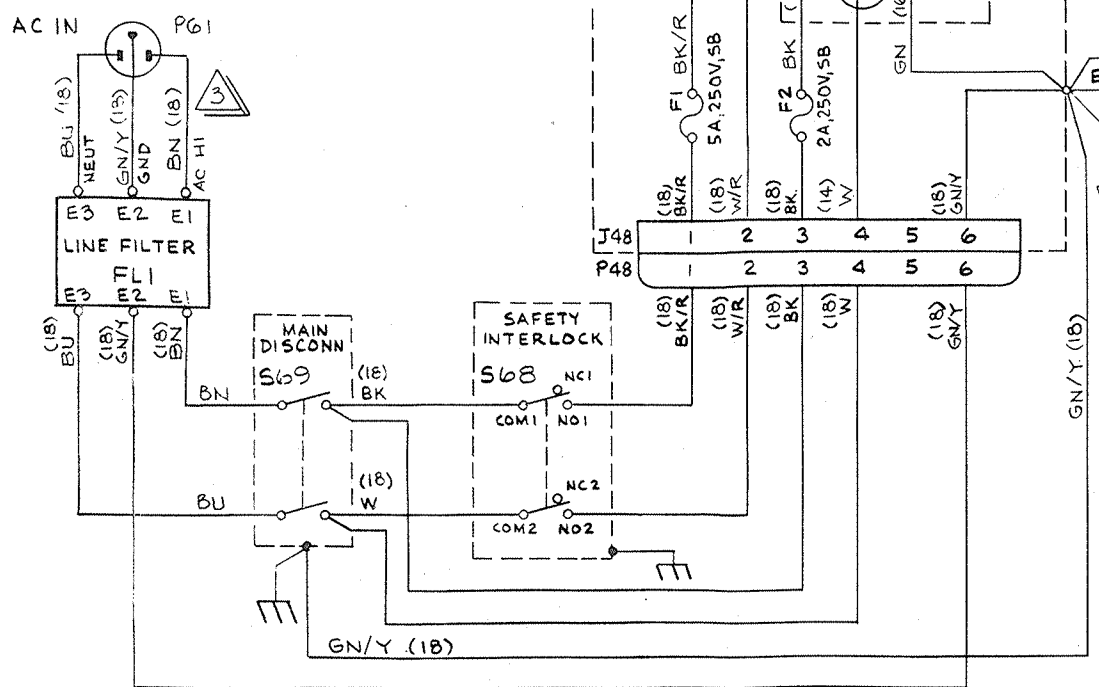
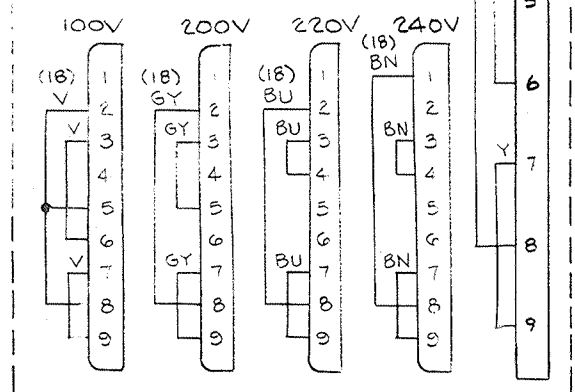
Superman Interconnect Diagram
 021278-01 B



© 1978 Atari Communications Company

VOLTAGE PLUG REQUIREMENTS

NOMINAL VOLTAGE	VOLTAGE RANGE
100VAC	90-110VAC
120VAC	105-135VAC
200VAC	180-220VAC
220VAC	200-240VAC
240VAC	220-260VAC



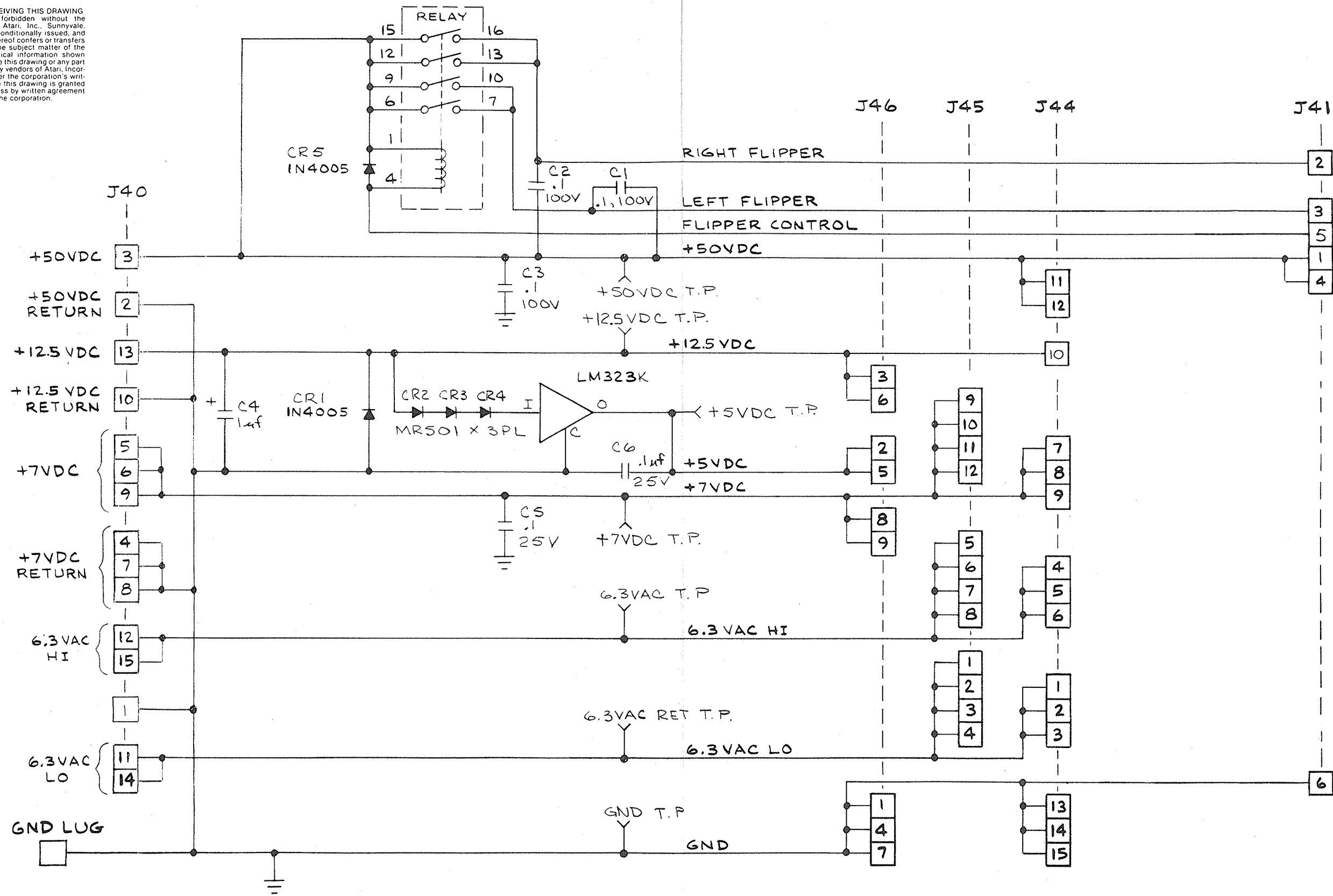
POWER DISTRIBUTION BOARD SCHEM 020921-01

- NOTES:
- DOMESTIC SERVICE OUTLET (A021078-01) IS SHOWN, GERMAN SERVICE OUTLET ASSY (A021078-02) HAS TWO BROWN WIRES (NEUT & LINE) AND ONE GREEN (GROUND).
 - THERMAL CUTOFF IS INTERNAL TO TRANSFORMER. CUT-OFF TEMPERATURE IS $110 \pm 5^\circ\text{C}$.
 - DOMESTIC POWER CORD ASSY (A021131-01) MAY HAVE WIRE COLORS AS SHOWN OR WIRE COLORS AS FOLLOWS: ONE WHITE WIRE (NEUTRAL), ONE BLACK WIRE (AC HI), AND ONE GREEN WIRE (GROUND).
 - PRIMARY WIRE COLORS OF TRANSFORMER MAY BE AS SHOWN (COLOR WITH A BLACK STRIPE) OR BLACK WITH COLOR STRIPE.

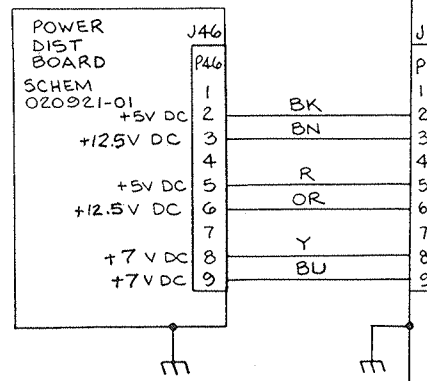
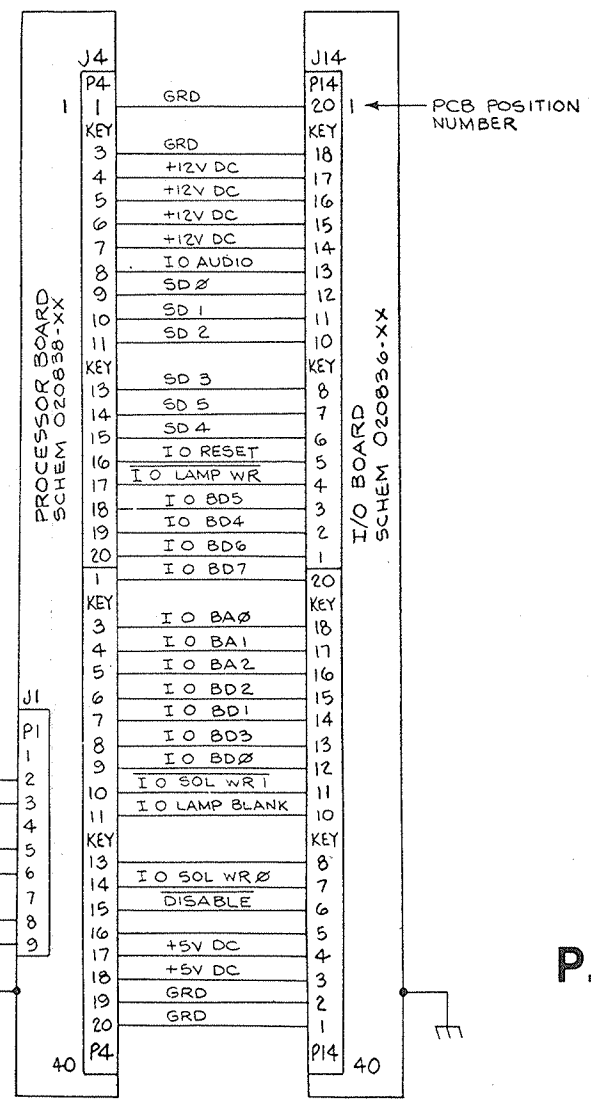
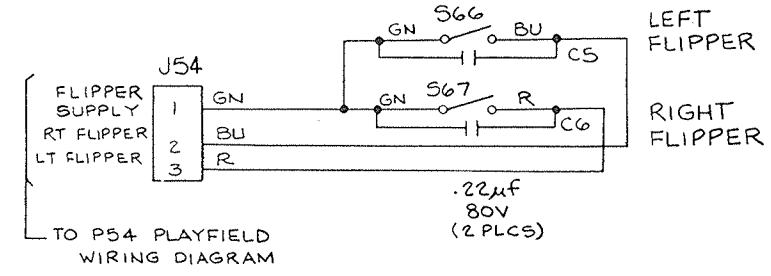
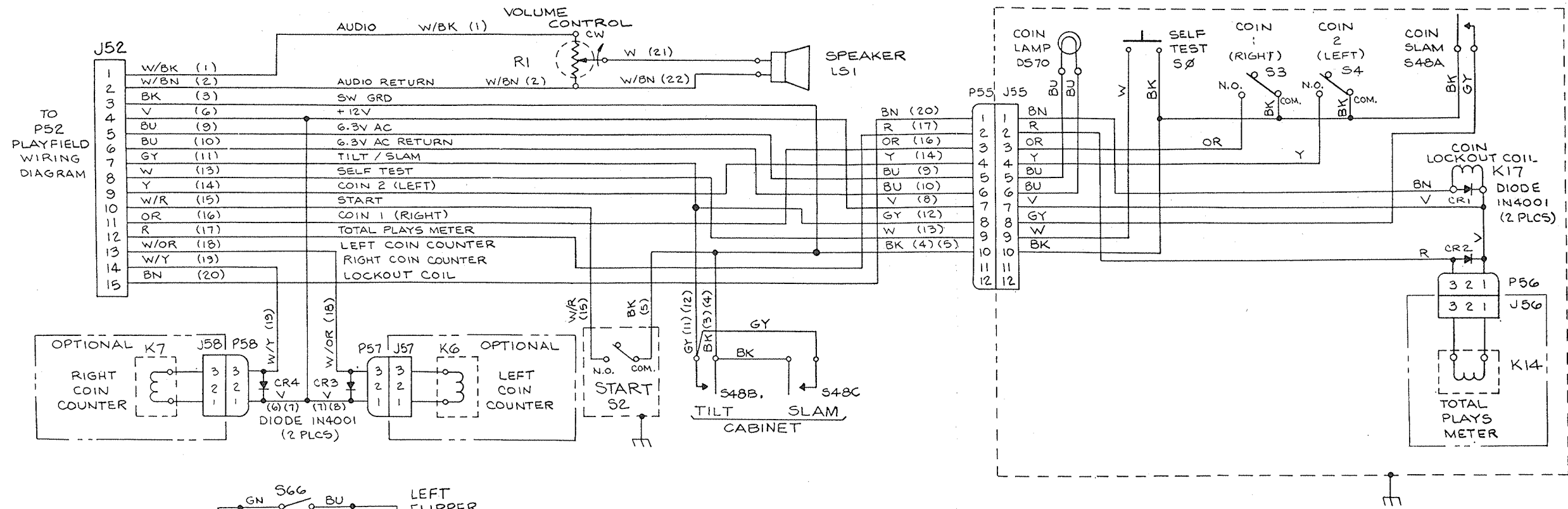
**Power Supply
Wiring Diagram
021003-01 B**

NOTICE TO ALL PERSONS RECEIVING THIS DRAWING: CONFIDENTIAL. Reproduction forbidden without the specific written permission of Atari, Inc., Sunnyvale, California. This drawing is only conditionally issued, and neither receipt nor possession thereof confers or transfers any right in, or license to use, the subject matter of the drawing or any design or technical information shown thereon, nor any right to reproduce this drawing or any part thereof, except for manufacture by vendors of Atari, Incorporated and for manufacture under the corporation's written license. No right to reproduce this drawing is granted or the subject matter thereof unless by written agreement with or written permission from the corporation.

NOTICE TO ALL PERSONS RECEIVING THIS DRAWING
 CONFIDENTIAL: Reproduction forbidden without the
 specific written permission of Atari, Inc., Sunnyvale,
 California. This drawing is only conditionally issued, and
 neither receipt nor possession thereof confers or transfers
 any right in, or license to use, the subject matter of the
 drawing or any design or technical information shown
 thereon, nor any right to reproduce this drawing or any part
 thereof, except for manufacture by vendors of Atari, Inc.,
 incorporated and for manufacture under the corporation's writ-
 ten license, no right to reproduce this drawing is granted
 or the subject matter thereof unless by written agreement
 with or written permission from the corporation.



Power Distribution P.C.B.
 Schematic Diagram
 020921-01 B

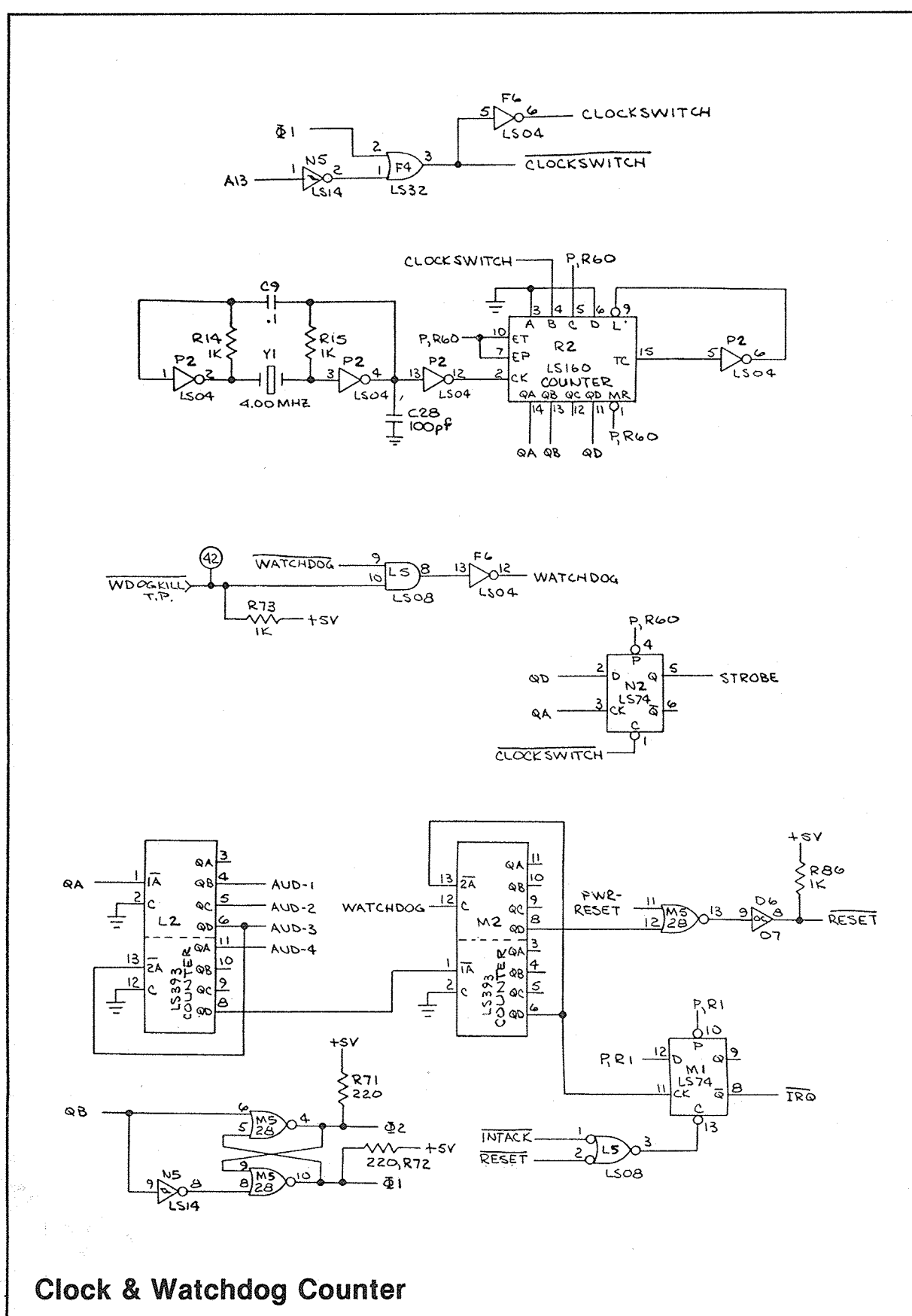


NOTES

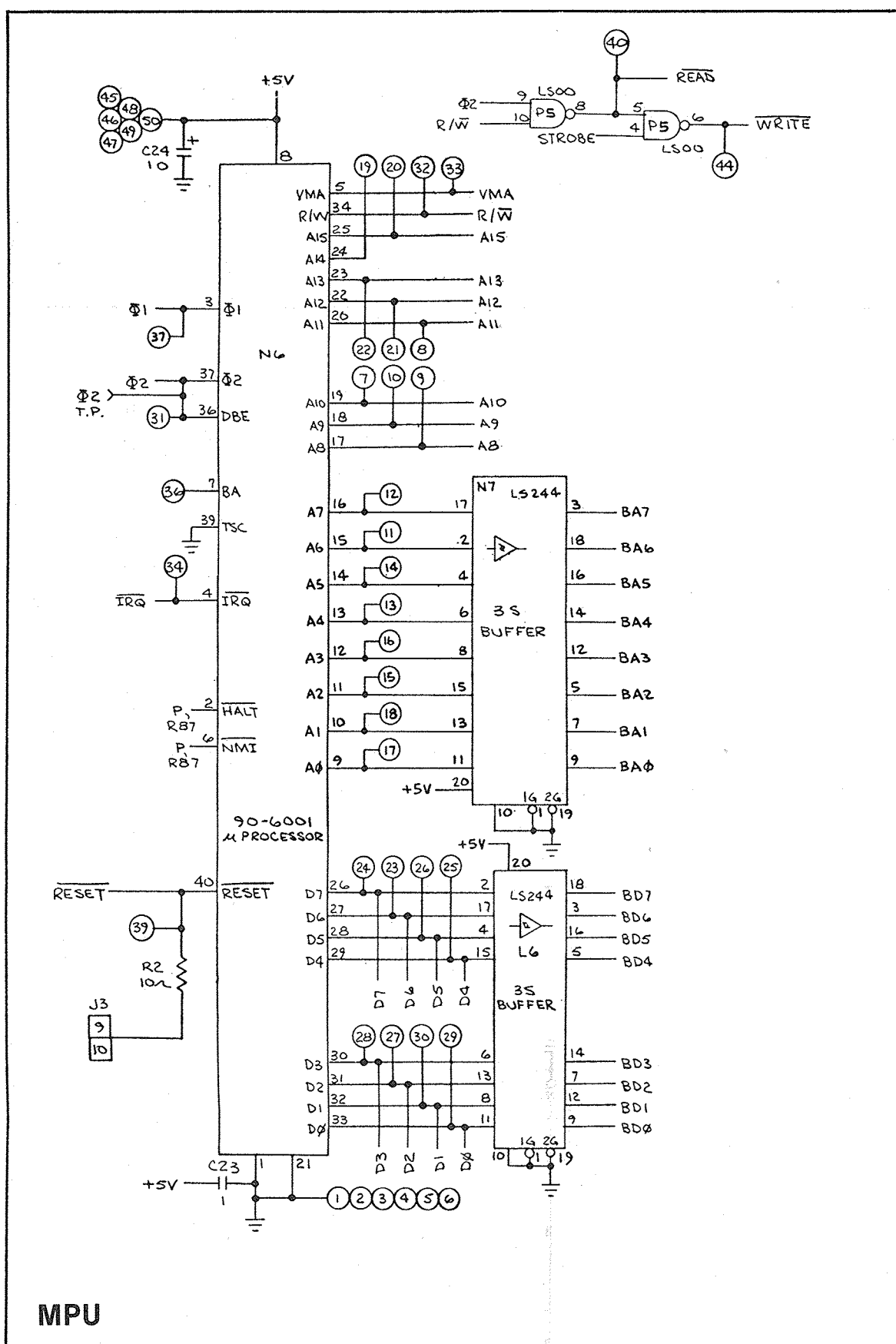
1. NUMBER(S) IN PARENTHESES () FOLLOWING WIRE COLOR ARE HOT STAMPED WIRE NUMBERS FOR WHITE WIRE CABINET HARNESS ASSY(AO21111-02).

NOTICE TO ALL PERSONS RECEIVING THIS DRAWING
 CONFIDENTIAL: Reproduction forbidden without the
 specific written permission of Atari, Inc., Sunnyvale,
 California. This drawing is only conditionally issued, and
 neither receipt nor possession thereof confers or transfers
 any right in, or license to use, the subject matter of the
 drawing or any design or technical information shown
 thereon, nor any right to reproduce this drawing or any part
 thereof, except for manufacture by vendors of Atari, Incor-
 porated and for manufacture under the corporation's writ-
 ten license, no right to reproduce this drawing is granted
 or the subject matter thereof unless by written agreement
 with or written permission from the corporation.

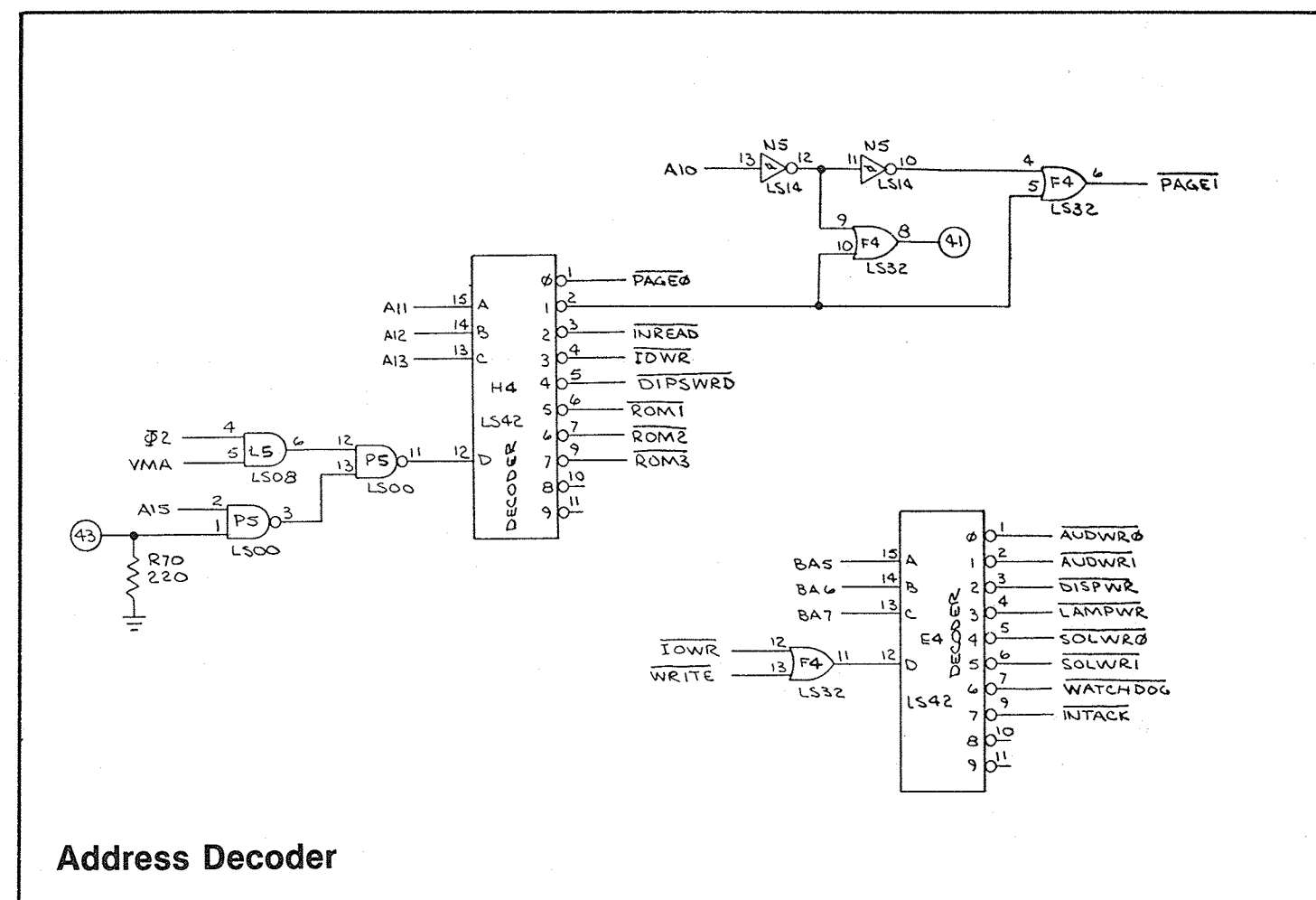
**P.C.B. Interconnect and Cabinet
 Wiring Diagram
 021122-01 B**



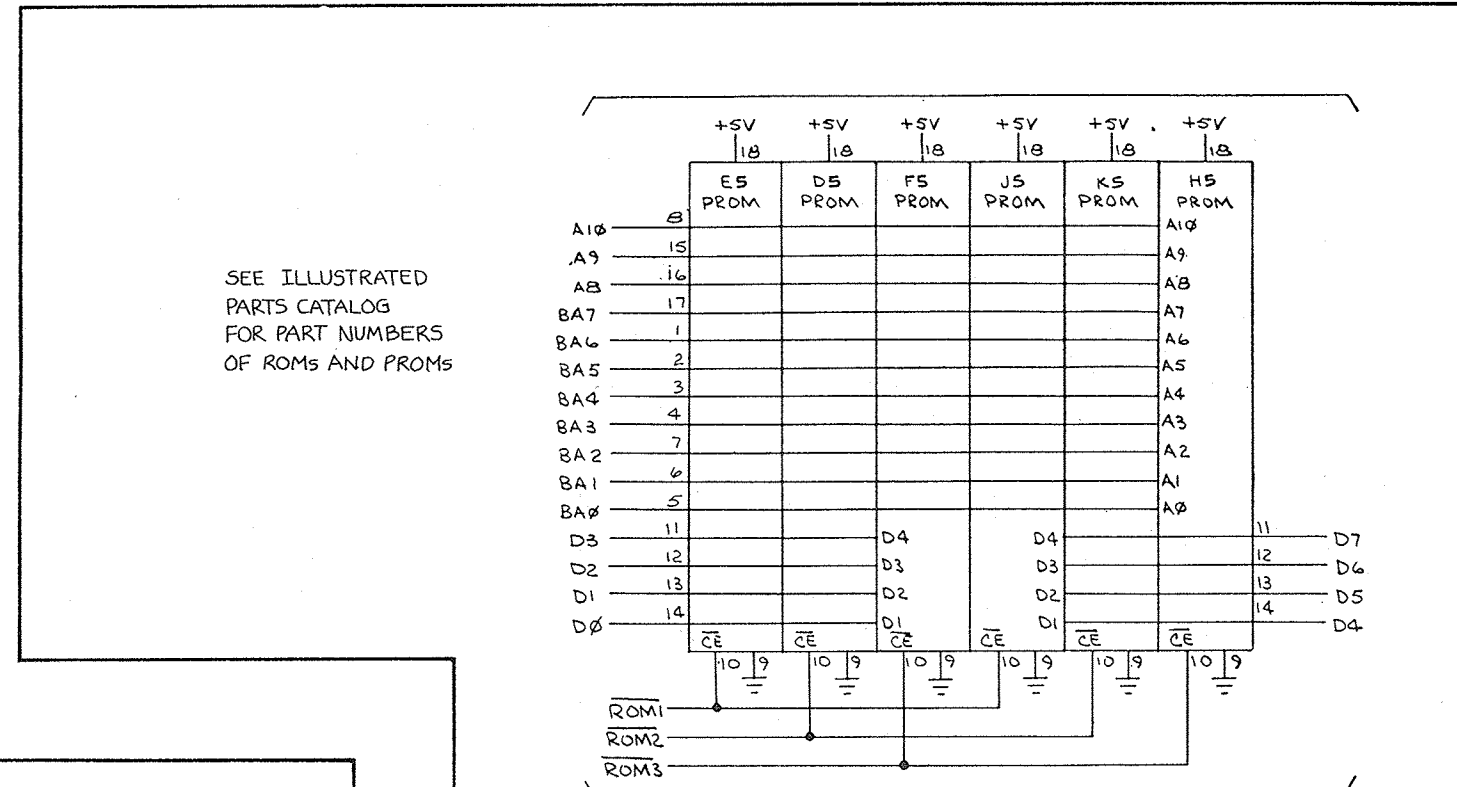
Clock & Watchdog Counter



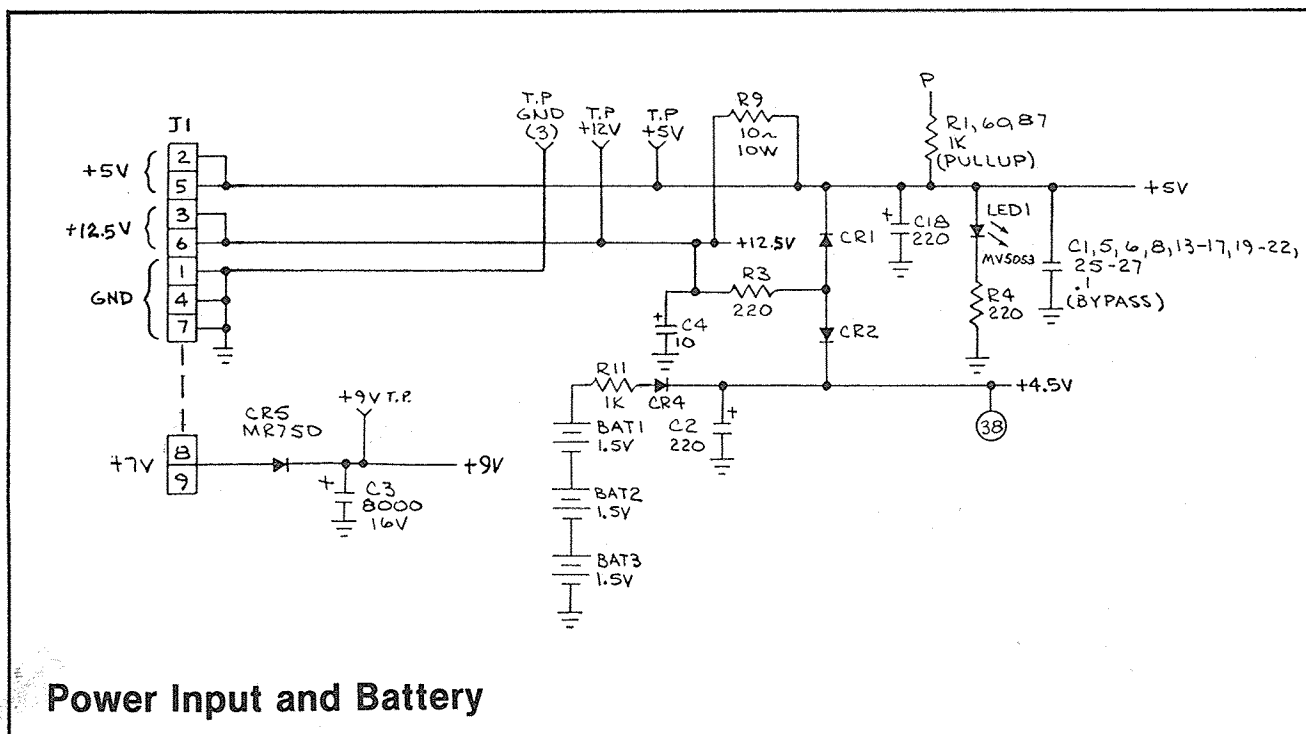
MPU



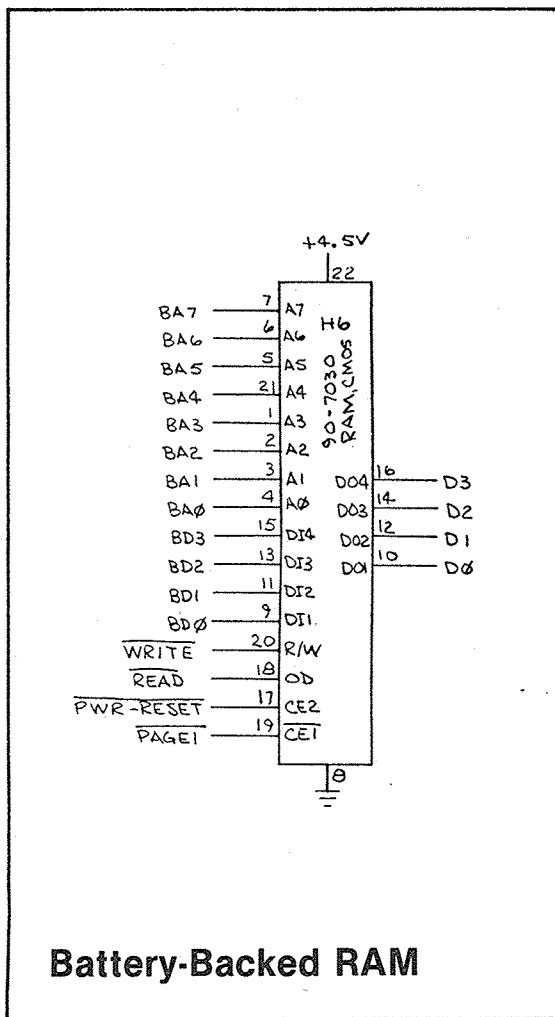
Address Decoder



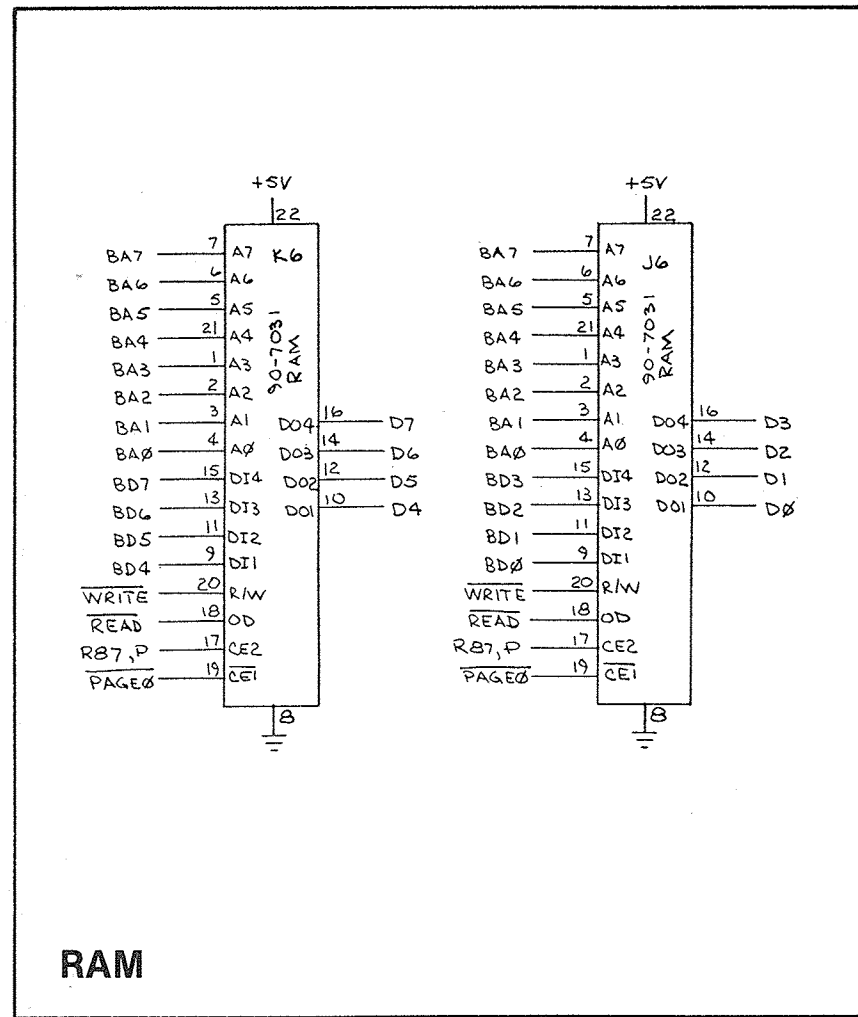
SEE ILLUSTRATED PARTS CATALOG FOR PART NUMBERS OF ROMS AND PROMS



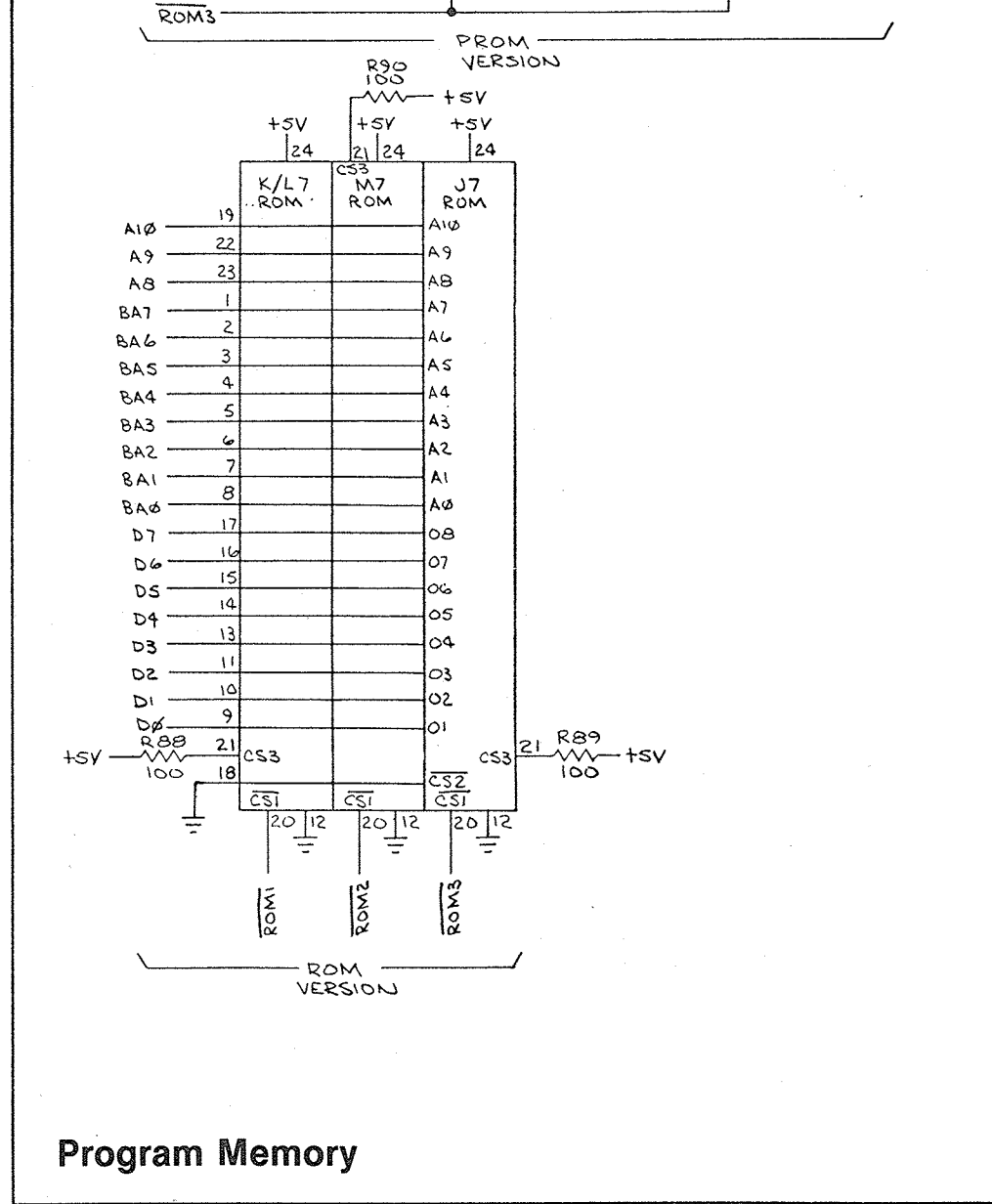
Power Input and Battery



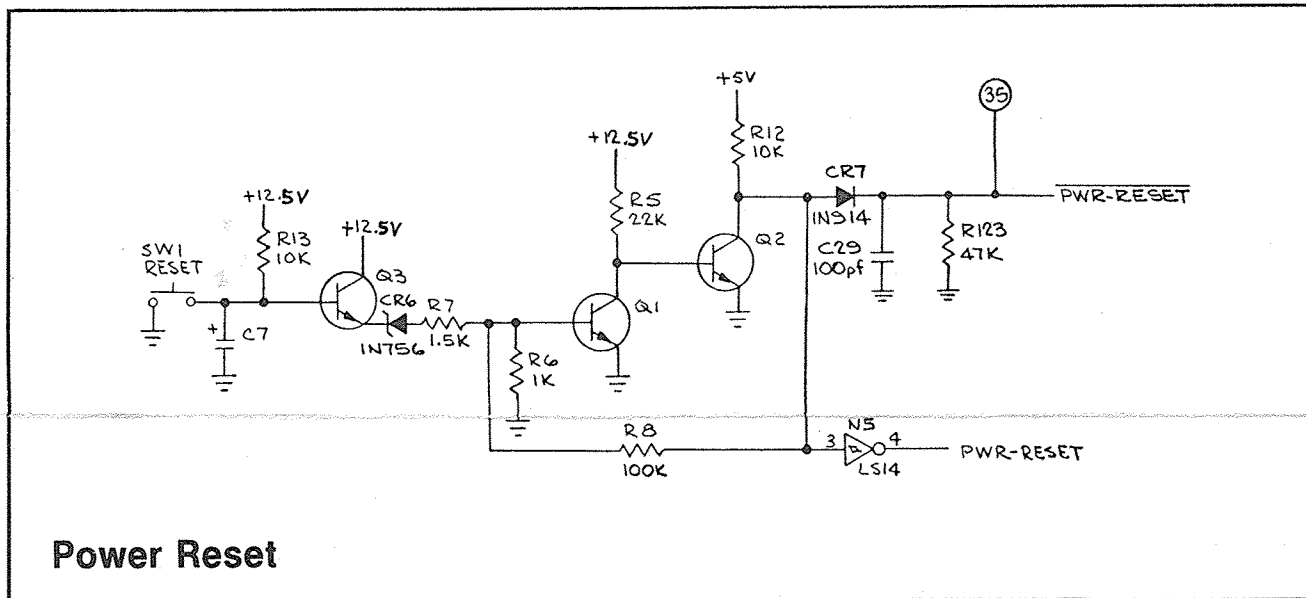
Battery-Backed RAM



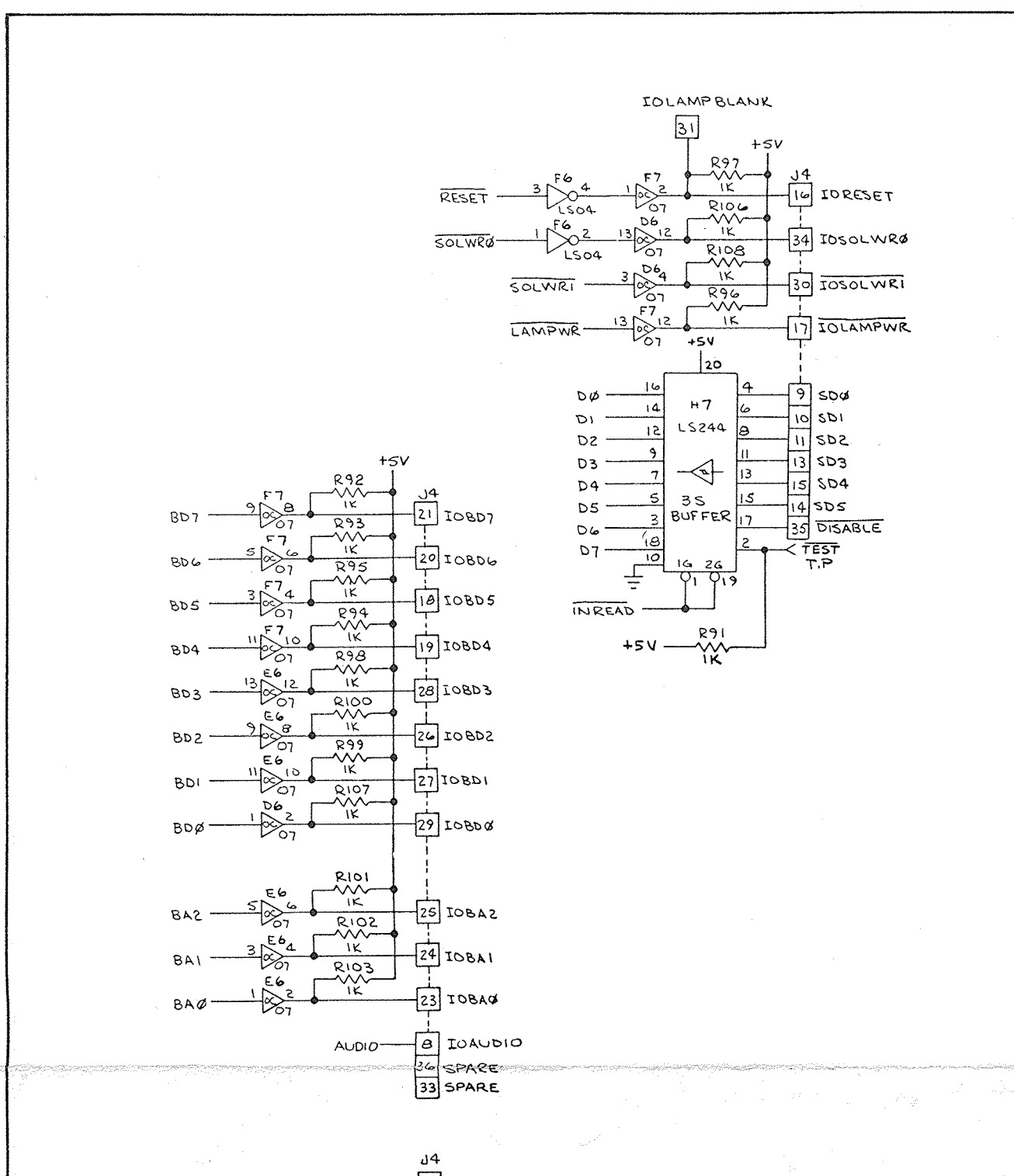
RAM



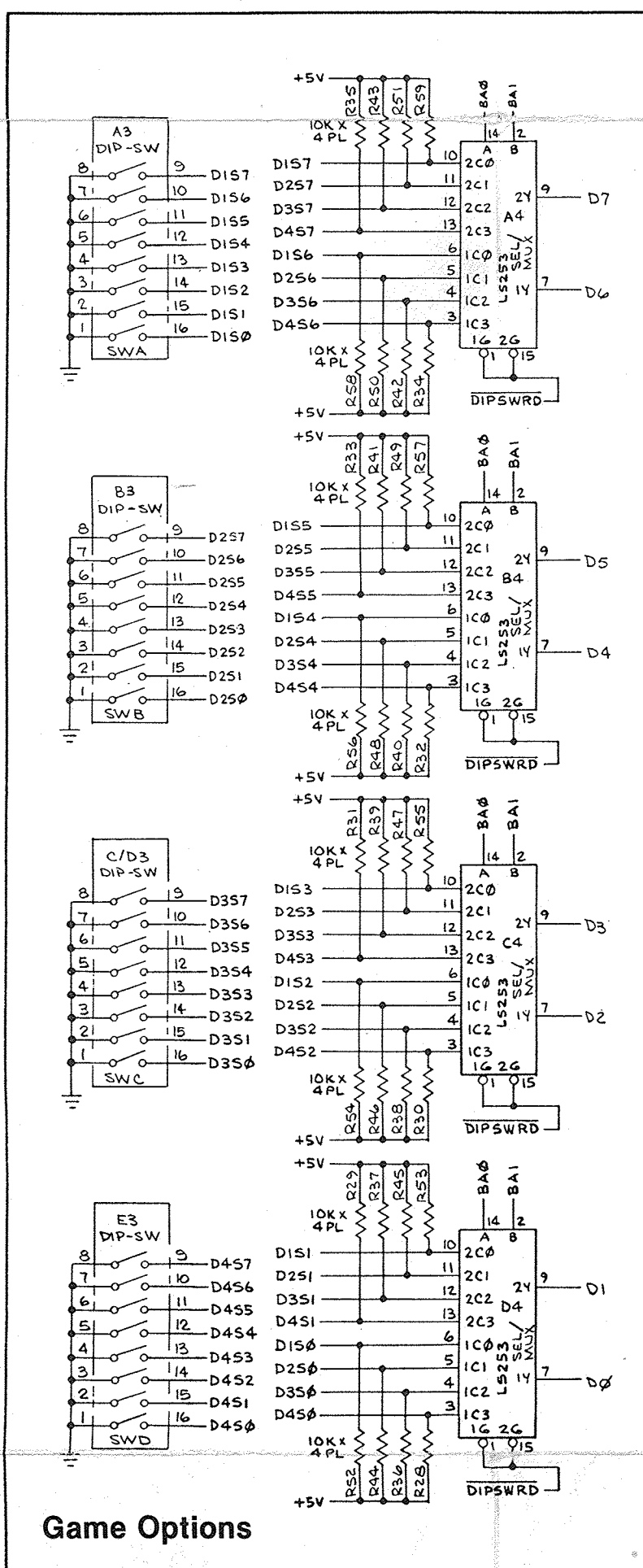
Program Memory



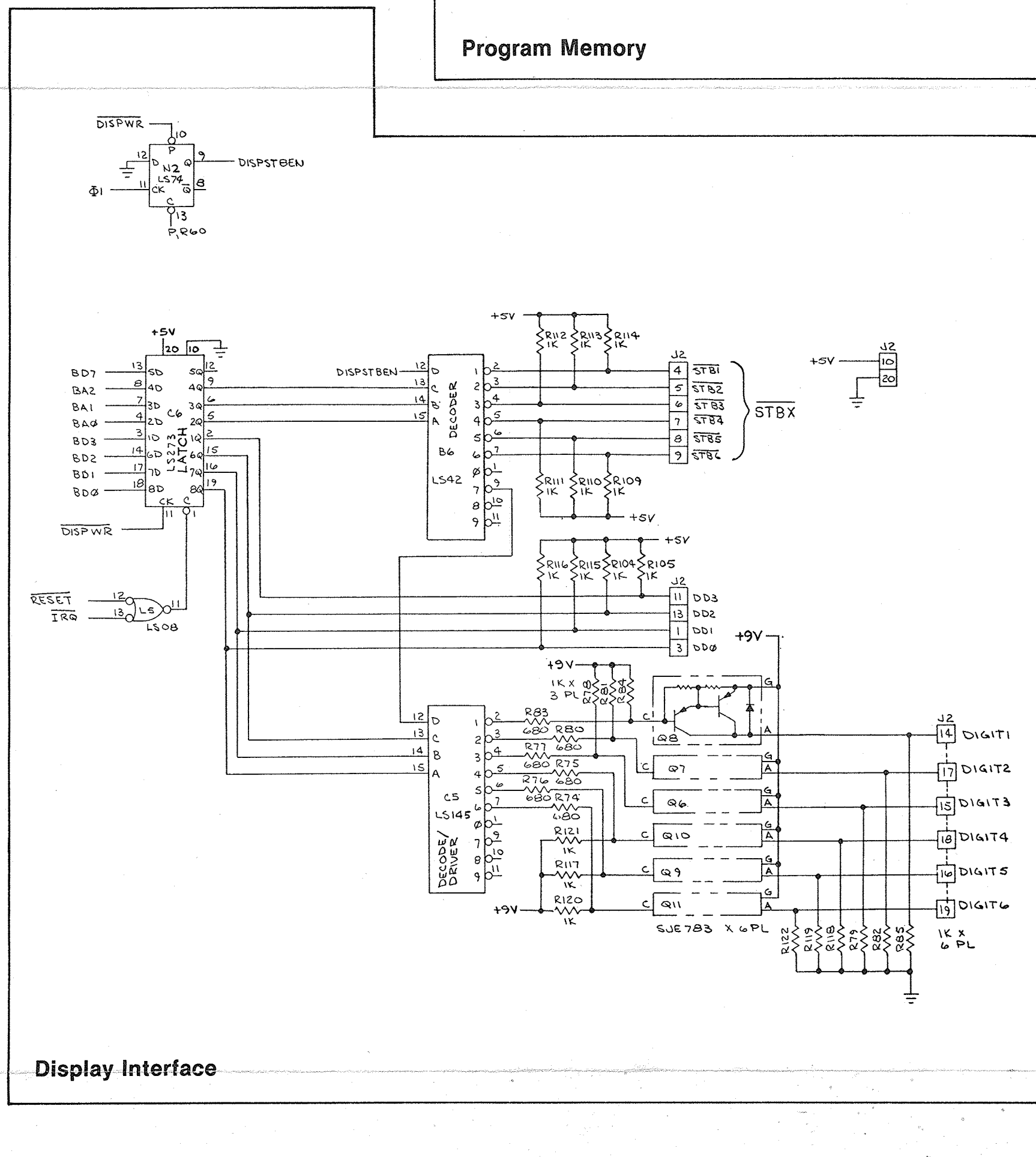
Power Reset



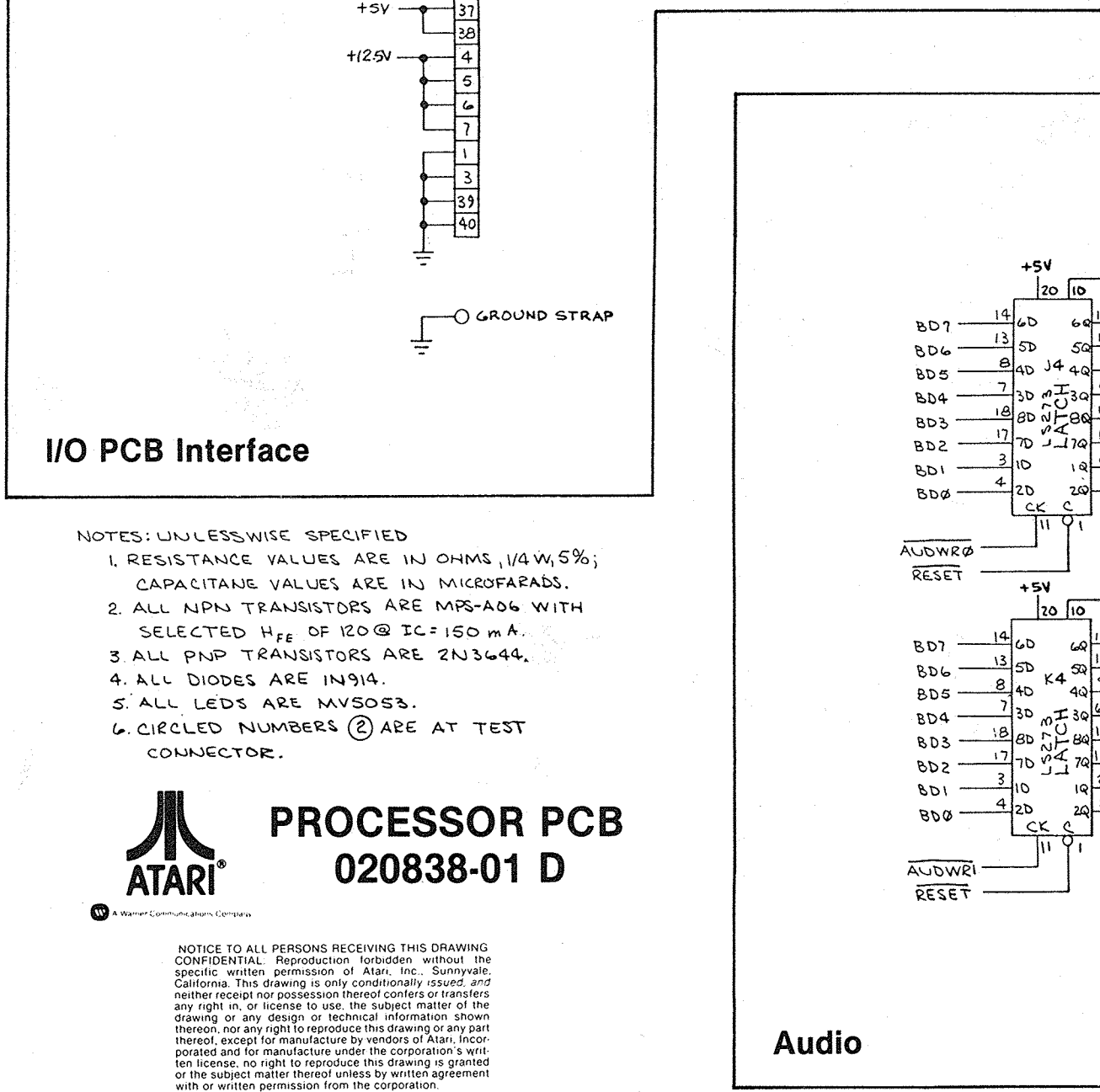
I/O PCB Interface



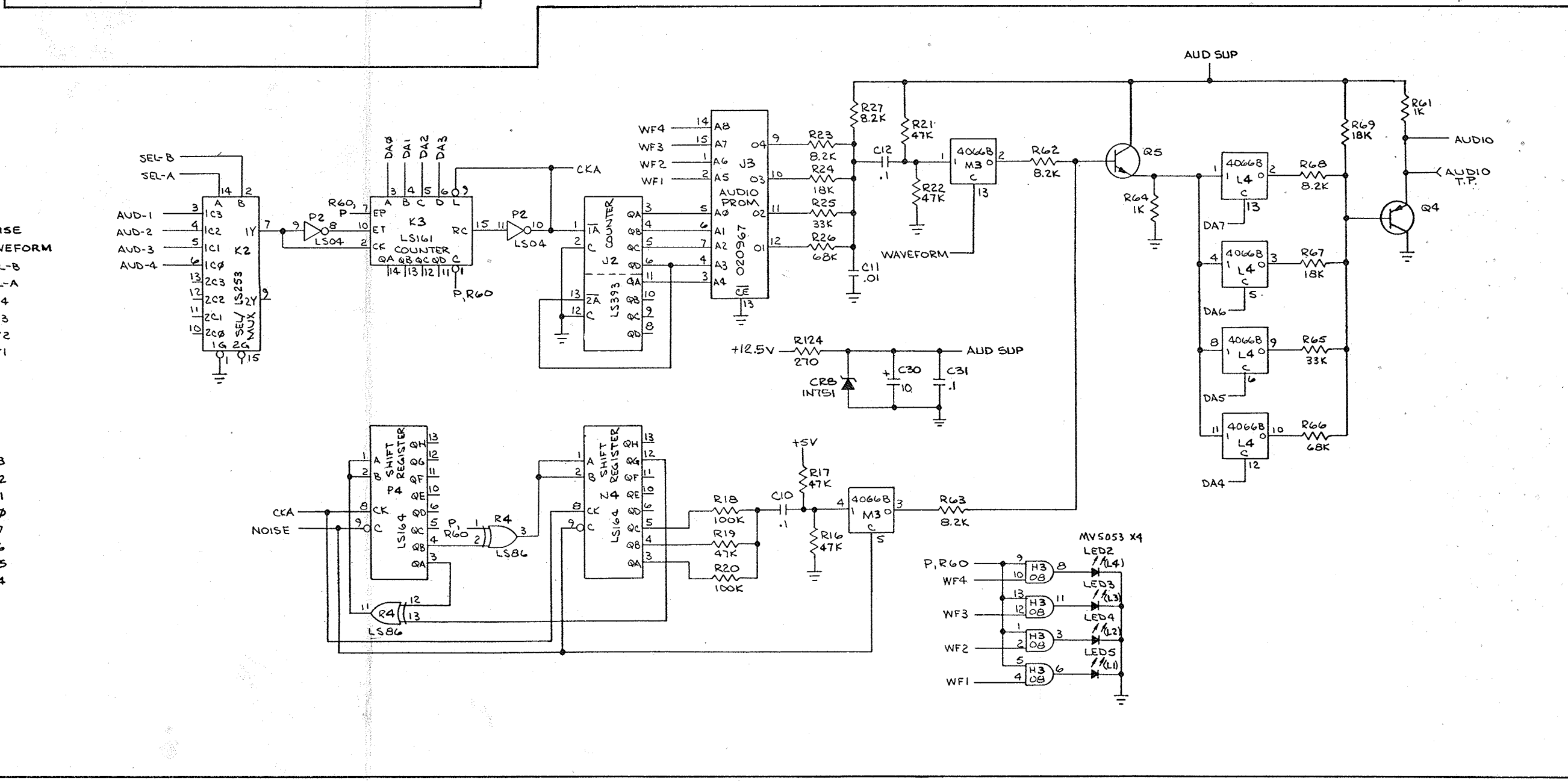
Game Options



Display Interface



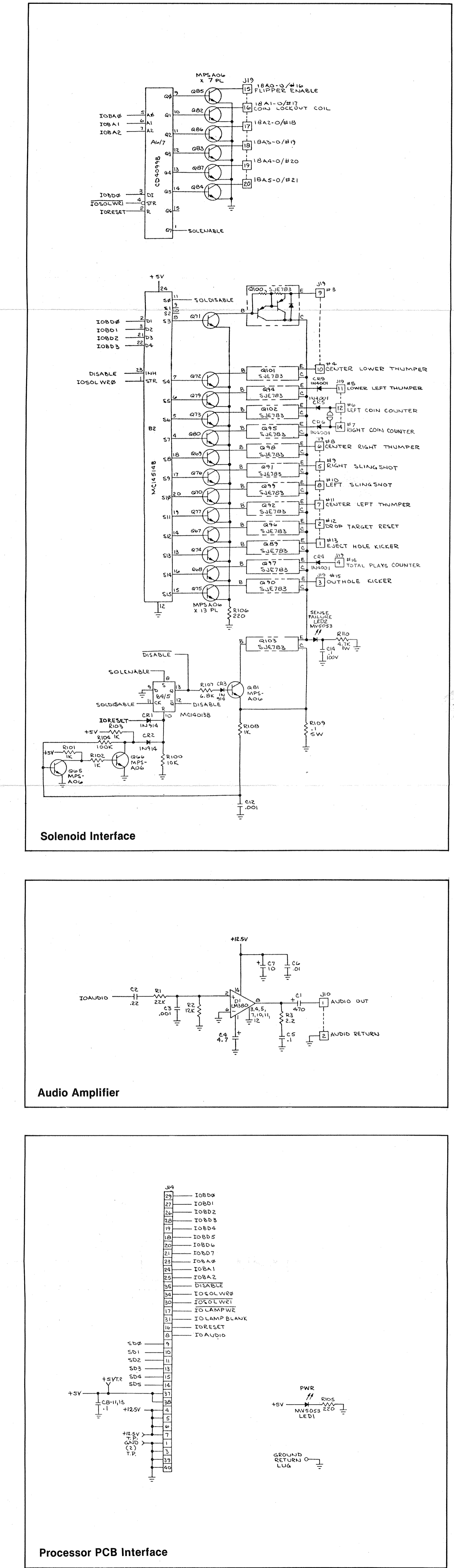
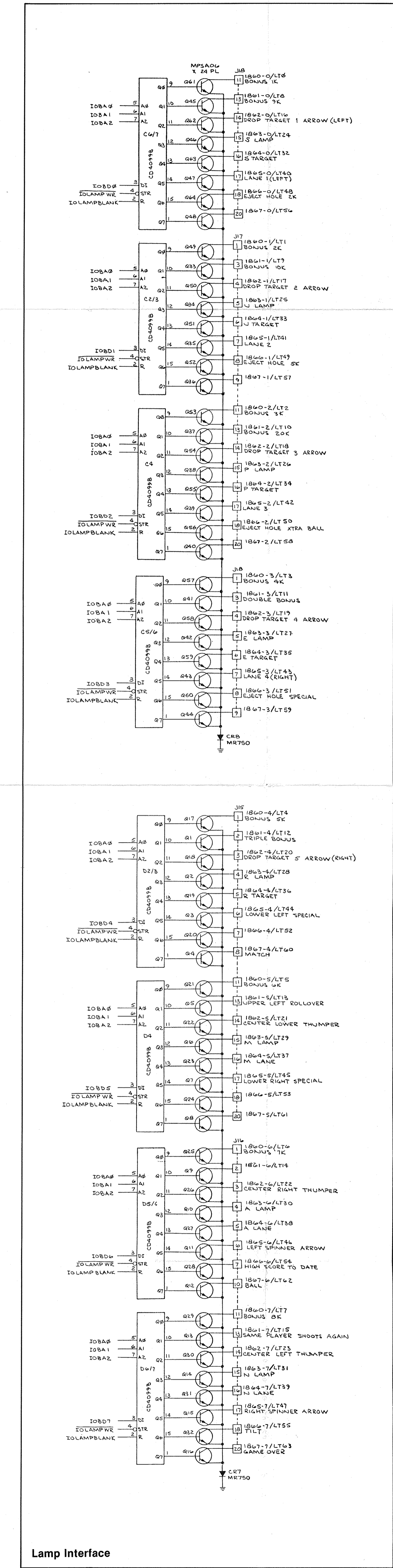
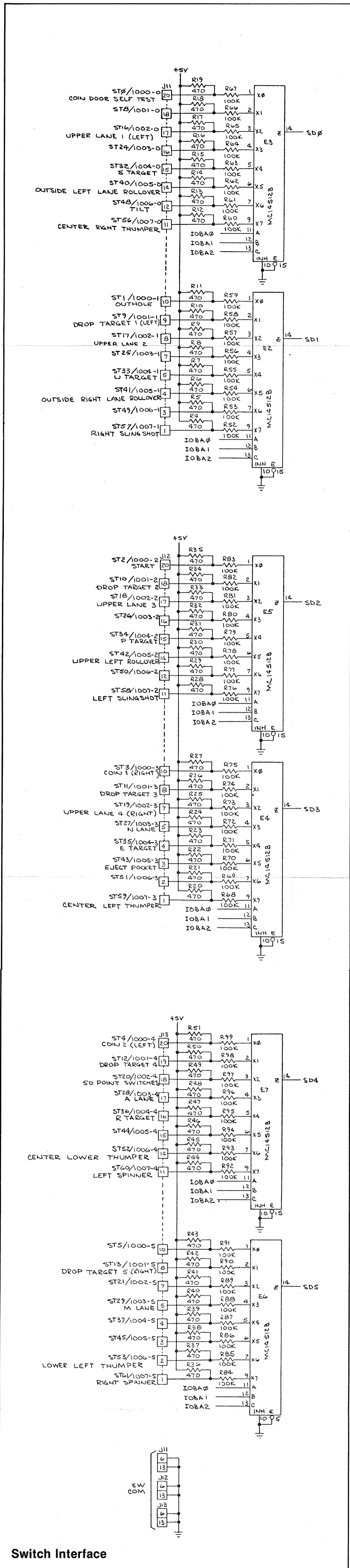
Audio



NOTES:
 1. RESISTANCE VALUES ARE IN OHMS, 1/4W, 5%
 CAPACITANCE VALUES ARE IN MICROFARADS.
 2. ALL PNP TRANSISTORS ARE MFG-A06 WITH
 SELECTED 1/2 OF 100 IC: 150 mA
 3. ALL PNP TRANSISTORS ARE 2N3344.
 4. ALL DIODES ARE IN91A.
 5. ALL LEDS ARE MV50S3.
 6. CIRCLED NUMBERS (2) ARE AT TEST
 CONNECTOR.

PROCESSOR PCB
 020838-01 D

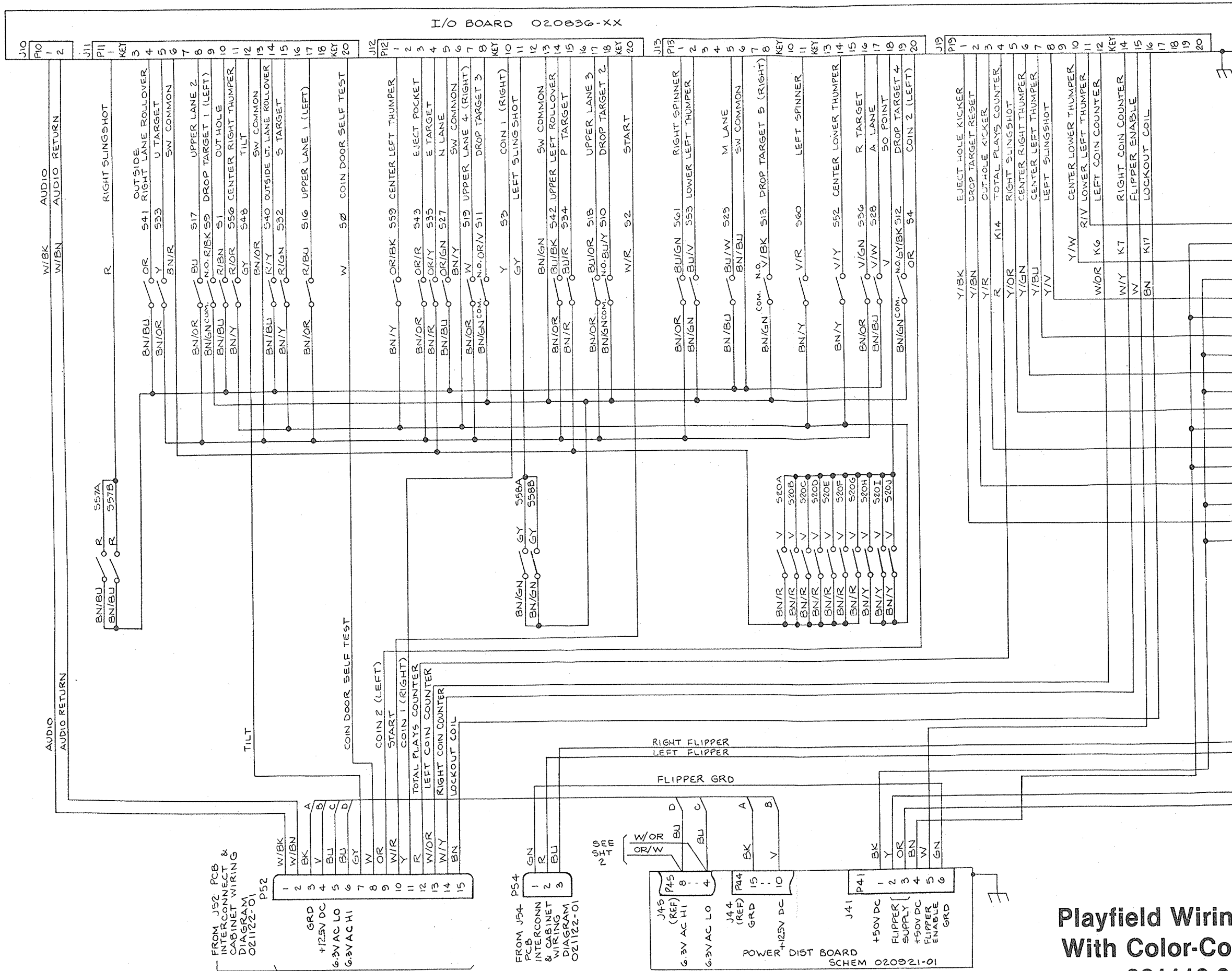
ATARI
 NOTE: ALL PERSONS RECEIVING THIS DRAWING
 CONFIDENTIAL. Reproduction forbidden without the
 specific written permission of Atari, Inc. Summary
 California. This drawing is only conditionally issued and
 neither Atari nor its subsidiaries are responsible for
 any errors or omissions. The user assumes all liability
 for any damage or loss resulting from the use of this
 drawing or any other technical information shown
 hereon, except for manufacture by vendors of Atari, Inc.
 and its subsidiaries, under the copyright of Atari, Inc.
 Atari, Inc. shall not be liable for any damages, claims,
 or the subject matter thereof unless by written agreement
 with a written permission from the corporation.



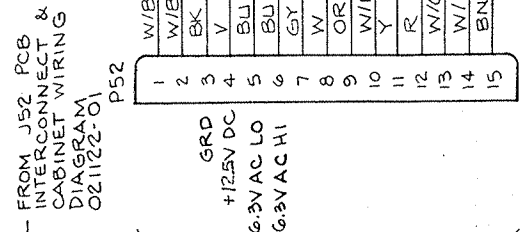
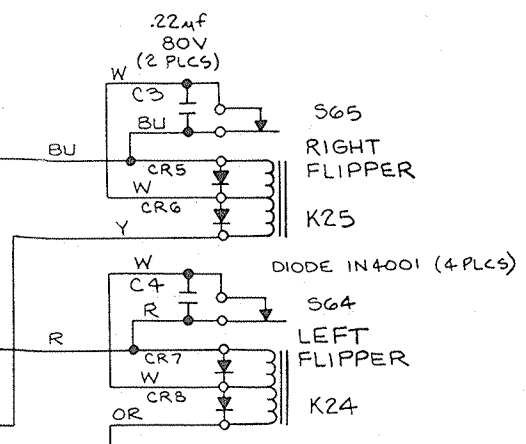
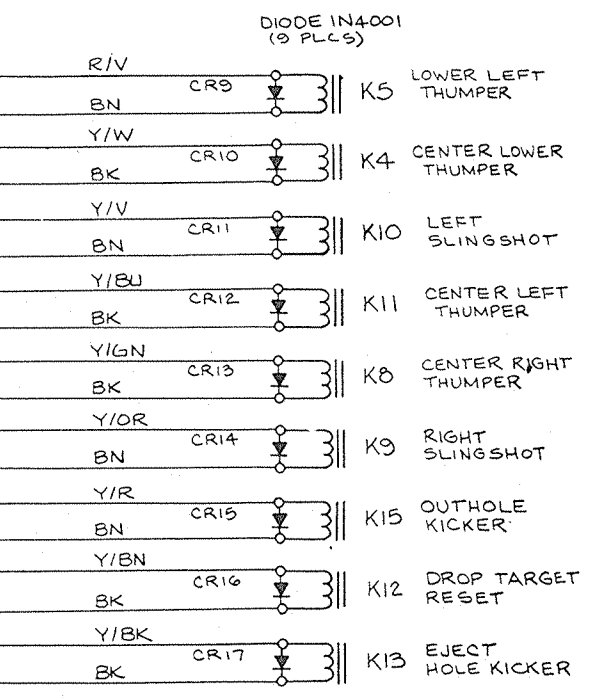
I/O PCB
ATARI 020836-01 C

NOTICE TO ALL PERSONS RECEIVING THIS DRAWING
 CONFIDENTIAL: Reproduction without the
 specific written permission of Atari, Inc. is prohibited.
 This drawing is the property of Atari, Inc. and
 neither it nor its contents are to be disclosed, copied,
 or in any way used, in whole or in part, for any
 purpose other than that for which it was prepared.
 Atari, Inc. reserves the right to modify this drawing
 without notice and without obligation to those to whom
 it is furnished. This drawing is provided as a guide
 only and is not to be used as a basis for any
 contract or agreement. No liability is assumed by
 Atari, Inc. for any damage or loss, including
 consequential damages, arising from the use of
 this drawing without the written permission of Atari,
 Inc.

SCAN
 THIS



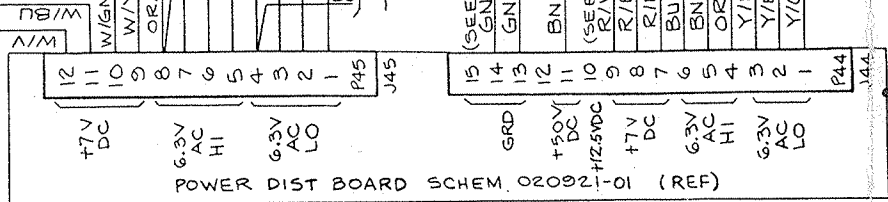
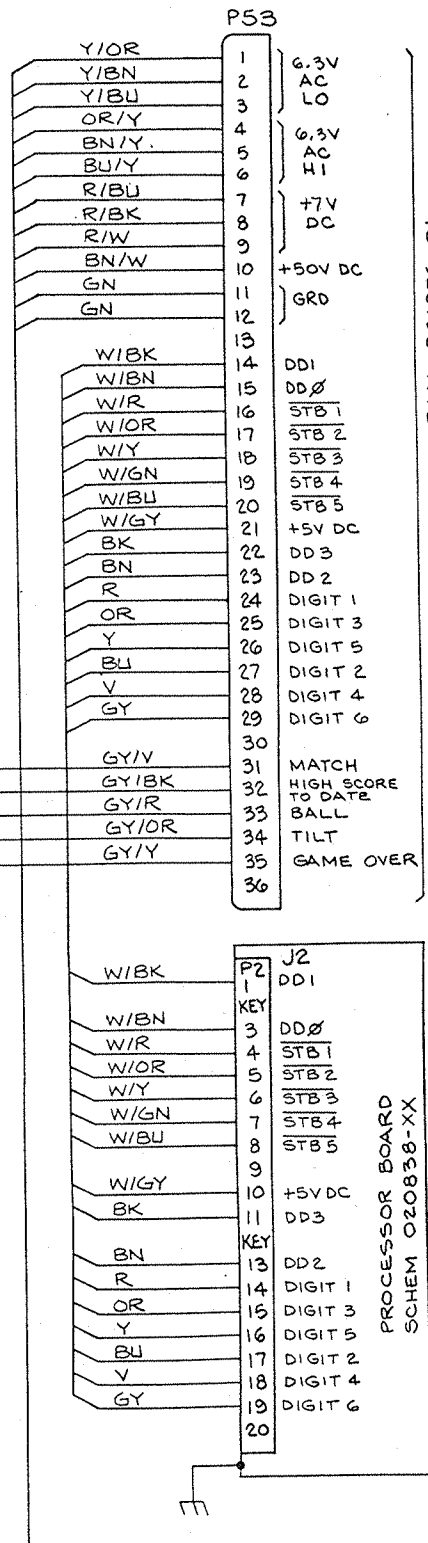
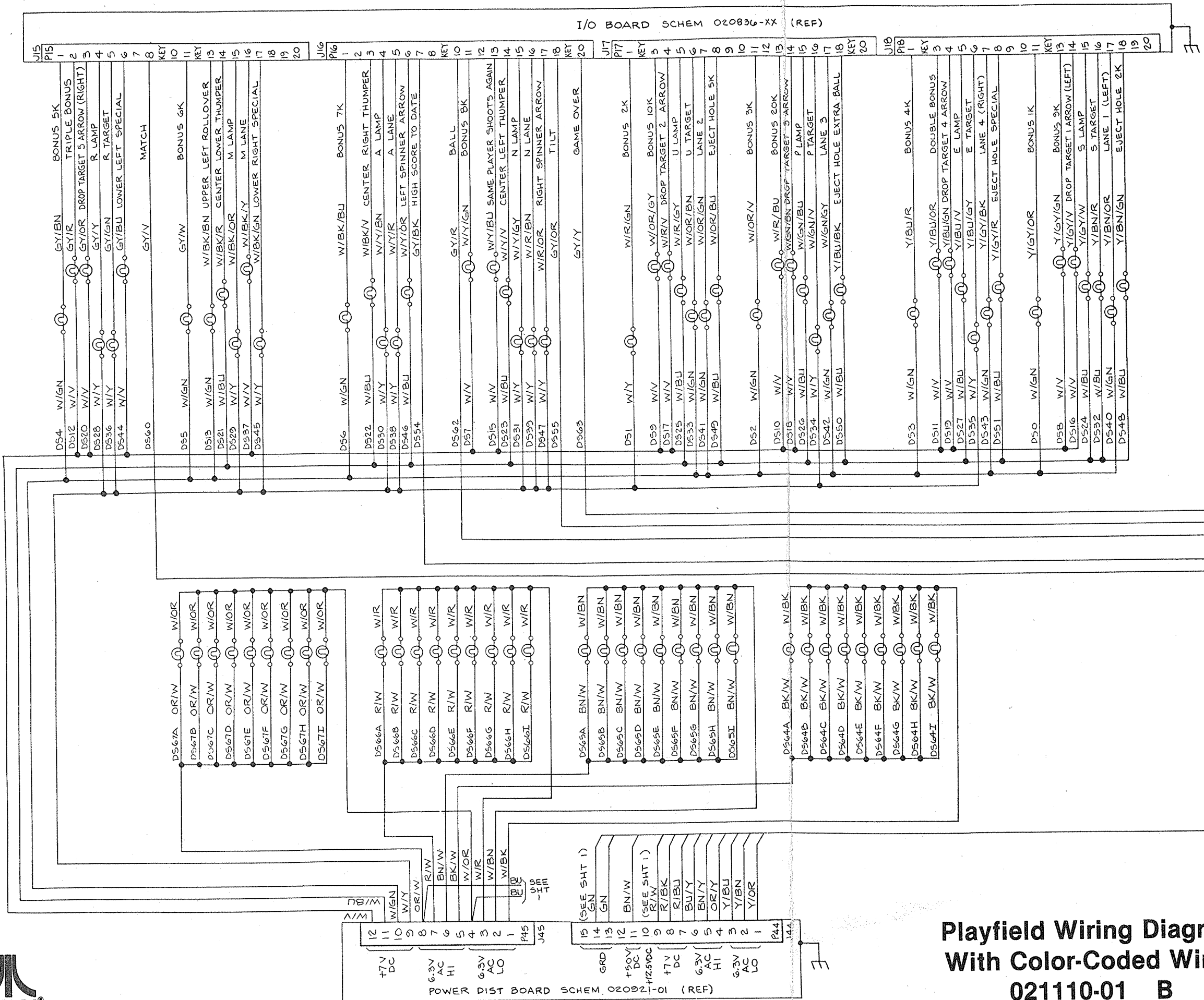
NOTICE TO ALL PERSONS RECEIVING THIS DRAWING CONFIDENTIAL. Reproduction forbidden without the specific written permission of Atari, Inc., Sunnyvale, California. This drawing is only conditionally issued, and neither receipt nor possession thereof confers or transfers any right in, or license to use, the subject matter of the drawing or any design or technical information shown thereon, nor any right to reproduce this drawing or any part thereof, except for manufacture by vendors of Atari, Incorporated and for manufacture under the corporation's written license. No right to reproduce this drawing is granted or the subject matter thereof unless by written agreement with or written permission from the corporation.



Playfield Wiring Diagram
With Color-Coded Wires
021110-01 B



I/O BOARD SCHEM 020836-XX (REF)

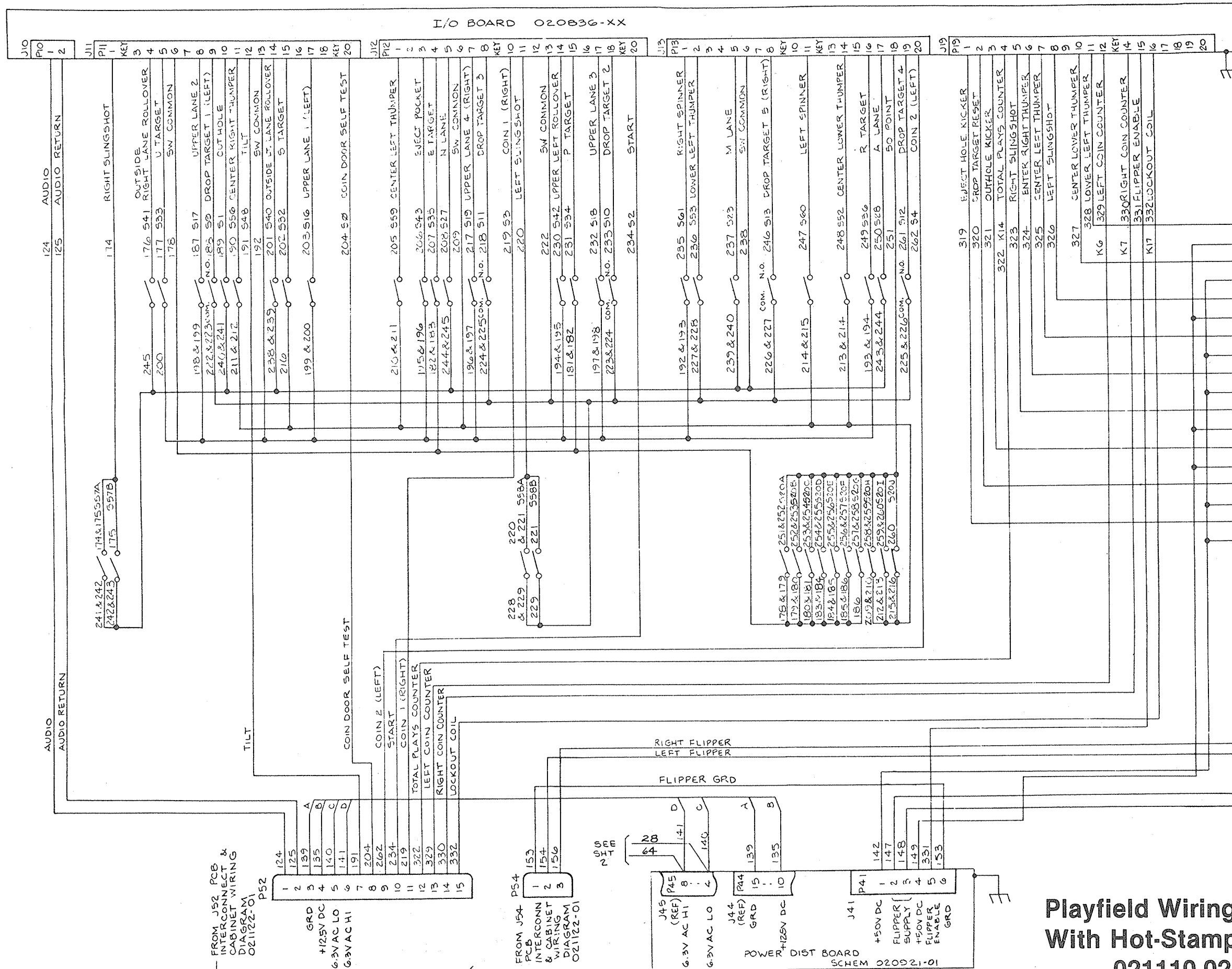


Playfield Wiring Diagram
With Color-Coded Wires
021110-01 B

TO J53 DISPLAY WIRING DIAGRAM 021076-01

PROCESSOR BOARD SCHEM 020838-XX

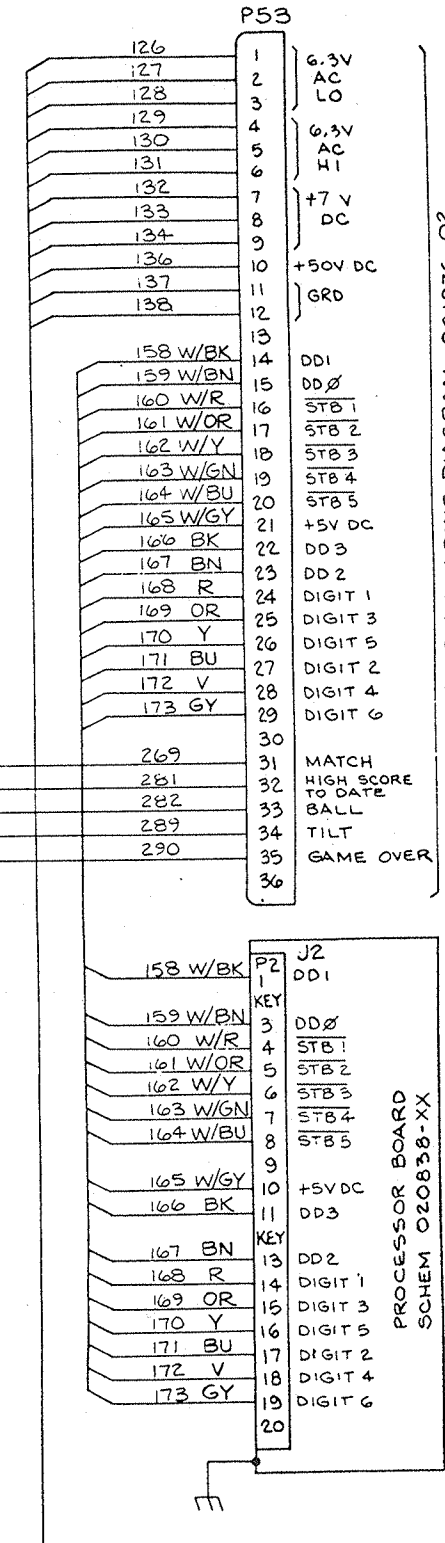
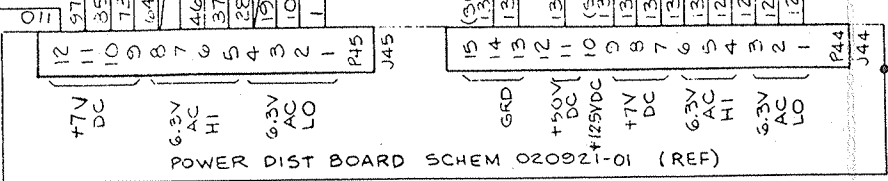
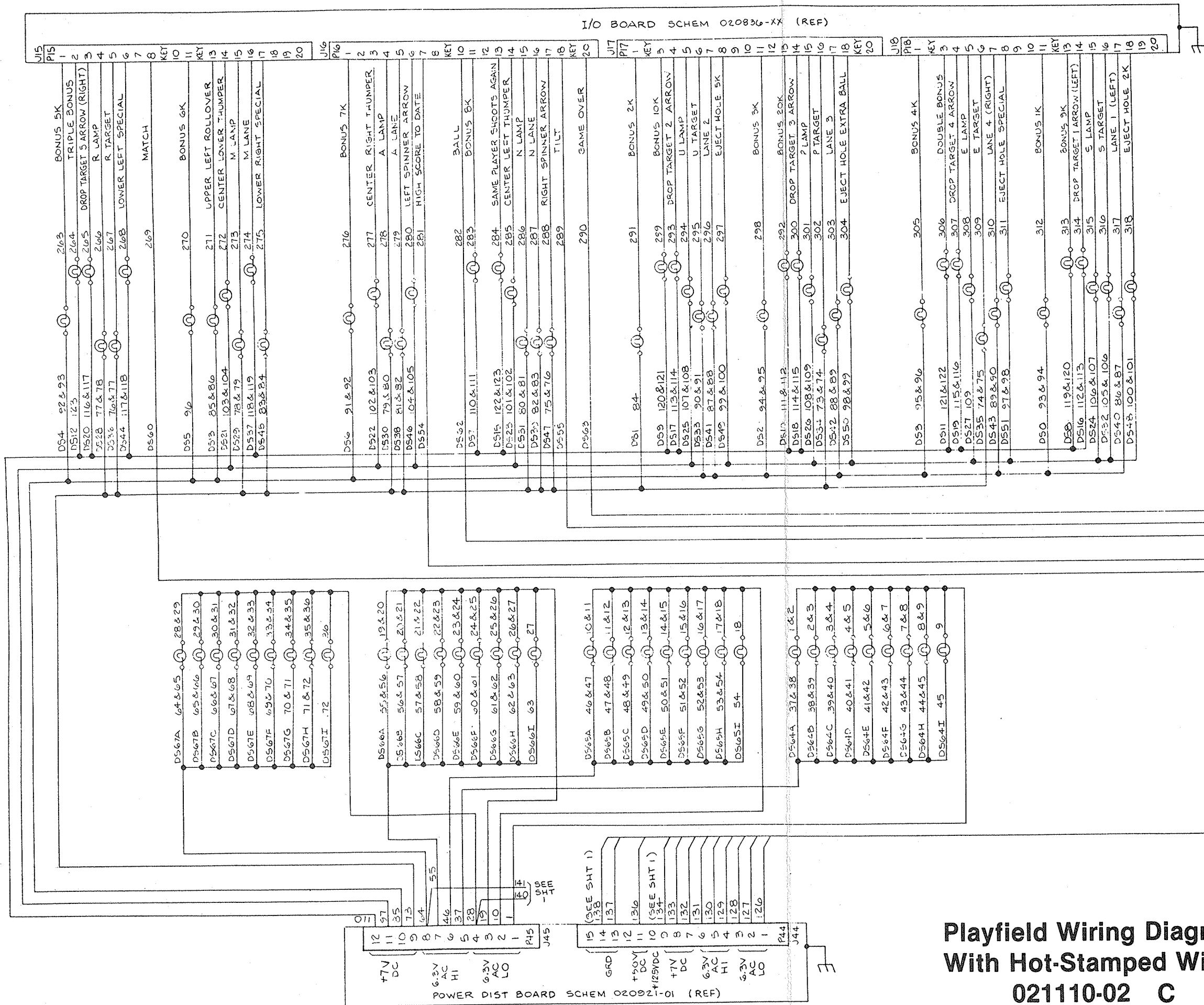
NOTICE TO ALL PERSONS RECEIVING THIS DRAWING
 CONFIDENTIAL: Reproduction forbidden without the
 specific written permission of Atari, Inc., Sunnyvale,
 California. This drawing is only conditionally issued, and
 neither receipt nor possession thereof confers or transfers
 any right in, or license to use, the subject matter of the
 drawing or any design or technical information shown
 thereon, nor any right to reproduce this drawing or any part
 thereof, except for manufacture by vendors of Atari, Inc.,
 incorporated and for manufacture under the corporation's writ-
 ten license. No right to reproduce this drawing is granted
 or the subject matter thereof unless by written agreement
 with or written permission from the corporation.



NOTE:
 1. ON PLAYFIELD HARNESS (A021007-02), WIRES WITH NUMBERS HOT STAMPED ON THEM ARE CODED IN THREE BASIC COLORS AS FOLLOWS: RED WIRES DENOTE SOLENOIDS & LINEAR FLIPPER SWITCHES S64, S65. YELLOW WIRES DENOTE ALL OTHER SWITCHES. WHITE WIRES DENOTE LAMPS & CONNECTOR TO CONNECTOR WIRING.

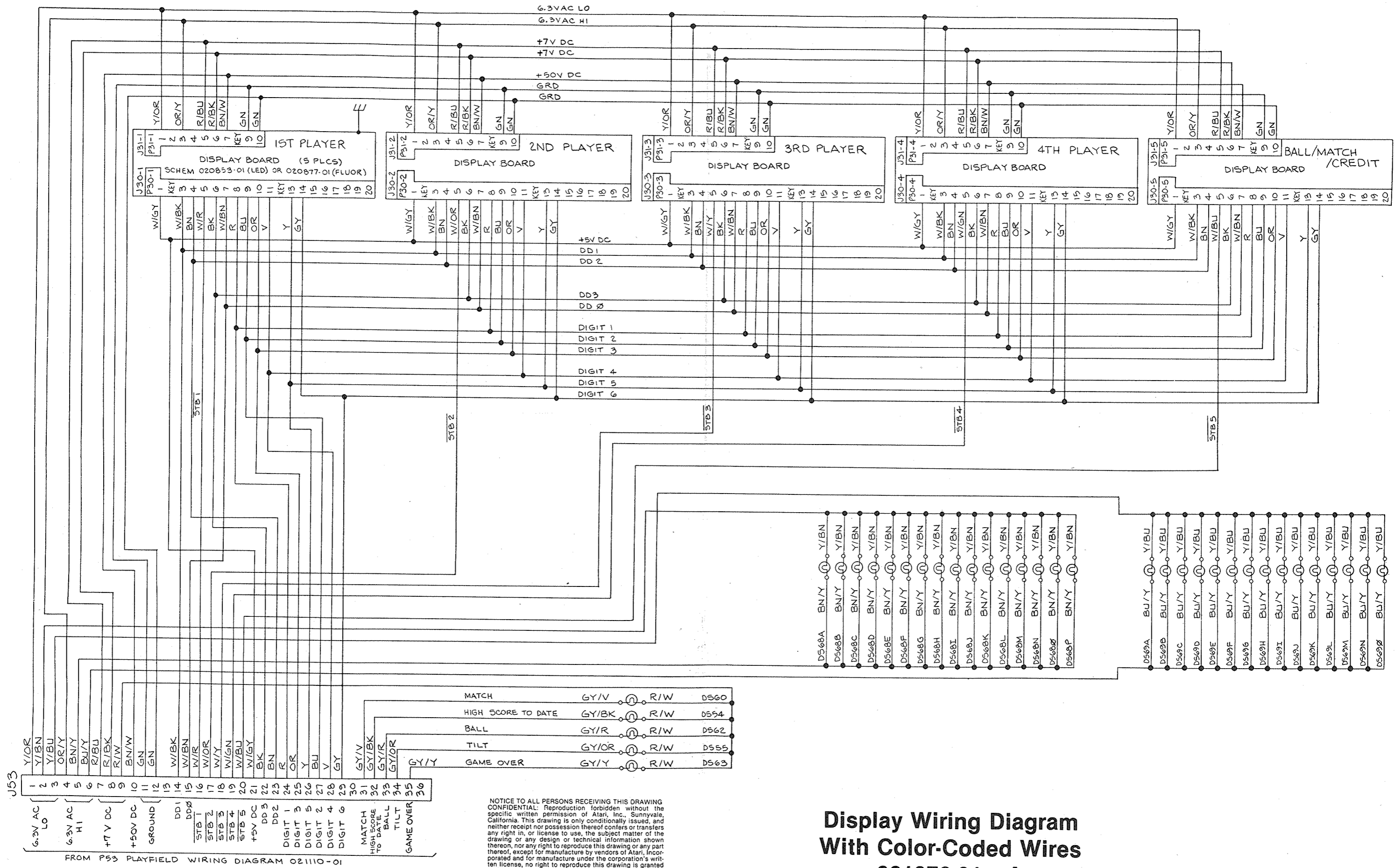
**Playfield Wiring Diagram
 With Hot-Stamped Wires
 021110-02 C**

NOTICE TO ALL PERSONS RECEIVING THIS DRAWING
 CONFIDENTIAL: Reproduction forbidden without the specific written permission of Atari, Inc., Sunnyvale, California. This drawing is only conditionally issued, and neither receipt nor possession thereof confers or transfers any right in, or license to use, the subject matter of the drawing or any design or technical information shown thereon, nor any right to reproduce this drawing or any part thereof, except for manufacture by vendors of Atari, Incorporated and for manufacture under the corporation's written license. No right to reproduce this drawing is granted or the subject matter thereof unless by written agreement with or written permission from the corporation.



Playfield Wiring Diagram With Hot-Stamped Wires 021110-02 C

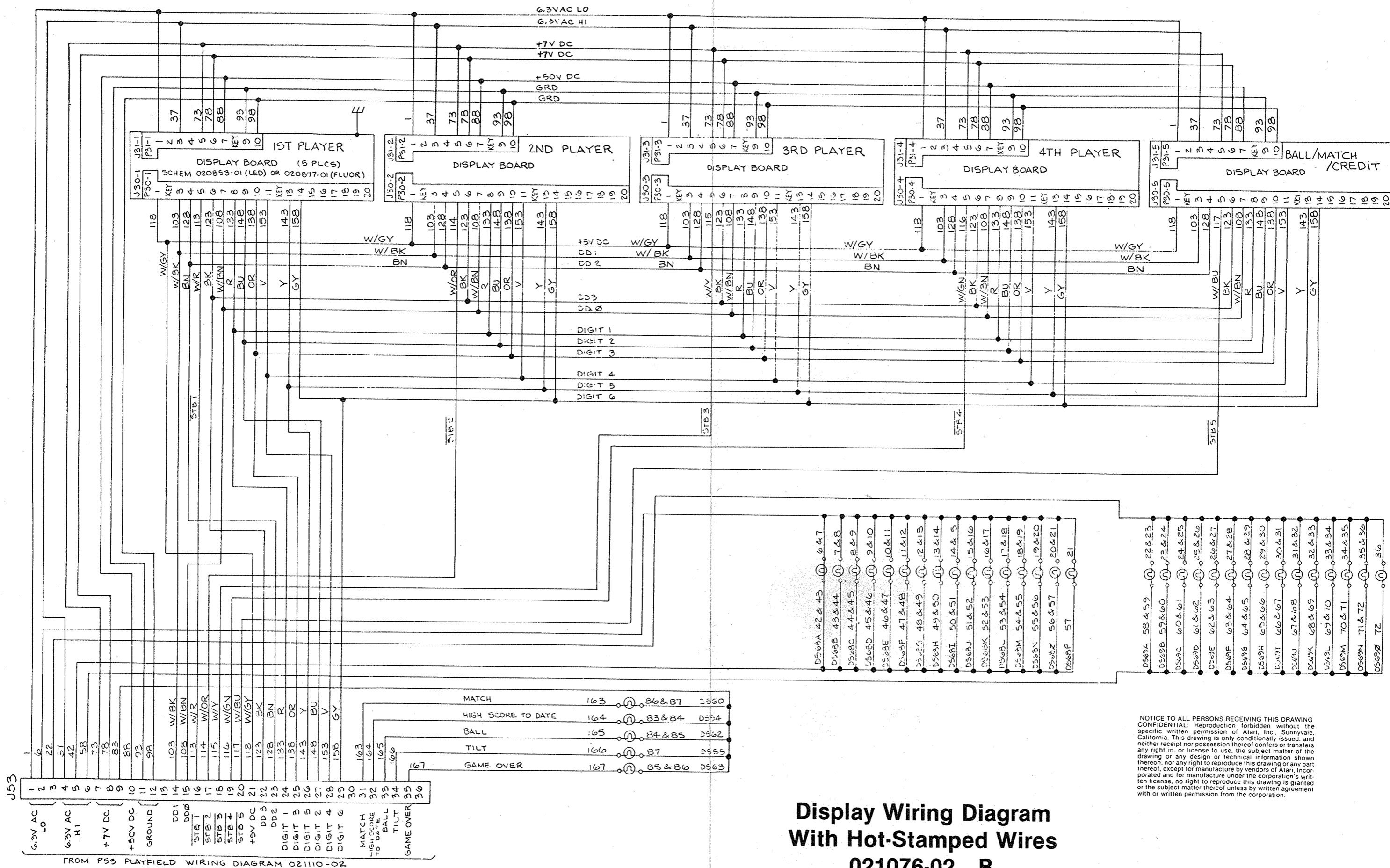
NOTICE TO ALL PERSONS RECEIVING THIS DRAWING
CONFIDENTIAL: Reproduction forbidden without the
specific written permission of Atari, Inc., Sunnyvale,
California. This drawing is only conditionally issued, and
neither receipt nor possession thereof confers or transfers
any right in, or license to use, the subject matter of the
drawing or any design or technical information shown
thereon, nor any right to reproduce this drawing or any part
thereof, except for manufacture by vendors of Atari, Inc.,
incorporated and for manufacture under the corporation's writ-
ten license, no right to reproduce this drawing is granted
or the subject matter thereof unless by written agreement
with or written permission from the corporation.



FROM P53 PLAYFIELD WIRING DIAGRAM 021110-01

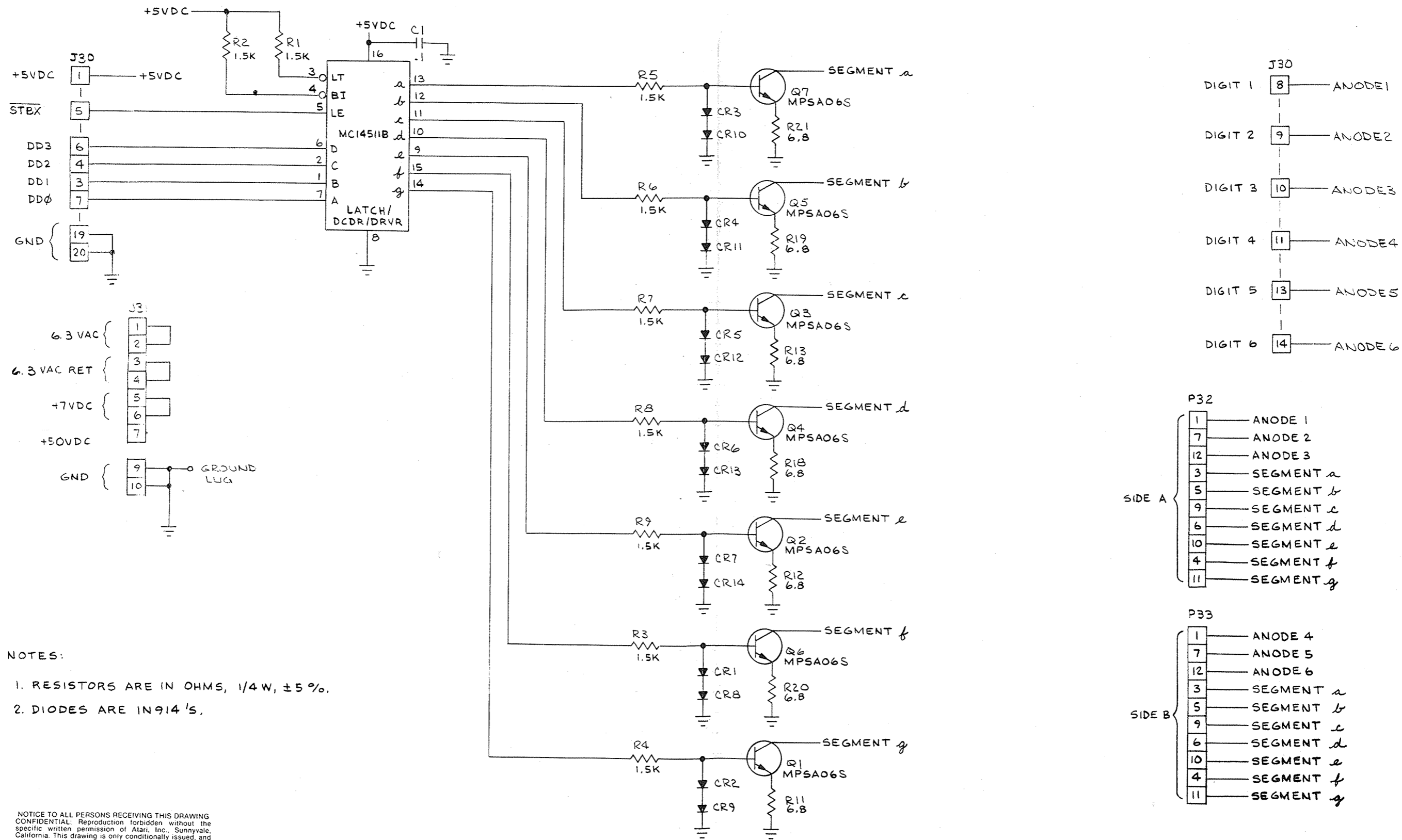
NOTICE TO ALL PERSONS RECEIVING THIS DRAWING
 CONFIDENTIAL: Reproduction forbidden without the
 specific written permission of Atari, Inc., Sunnyvale,
 California. This drawing is only conditionally issued, and
 neither receipt nor possession thereof confers or transfers
 any right in, or license to use, the subject matter of the
 drawing or any design or technical information shown
 thereon, nor any right to reproduce this drawing or any part
 thereof, except for manufacture by vendors of Atari, Inc.,
 incorporated and for manufacture under the corporation's writ-
 ten license, no right to reproduce this drawing is granted
 or the subject matter thereof unless by written agreement
 with or written permission from the corporation.

Display Wiring Diagram With Color-Coded Wires 021076-01 A



**Display Wiring Diagram
With Hot-Stamped Wires
021076-02 B**

NOTICE TO ALL PERSONS RECEIVING THIS DRAWING
CONFIDENTIAL: Reproduction forbidden without the
specific written permission of Atari, Inc., Sunnyvale,
California. This drawing is only conditionally issued, and
neither receipt nor possession thereof confers or transfers
any right in, or license to use, the subject matter of the
drawing or any design or technical information shown
thereon, nor any right to reproduce this drawing or any part
thereof, except for manufacture by vendors of Atari, Inc.,
incorporated and for manufacture under the corporation's written
license, no right to reproduce this drawing is granted
or the subject matter thereof unless by written agreement
with or written permission from the corporation.

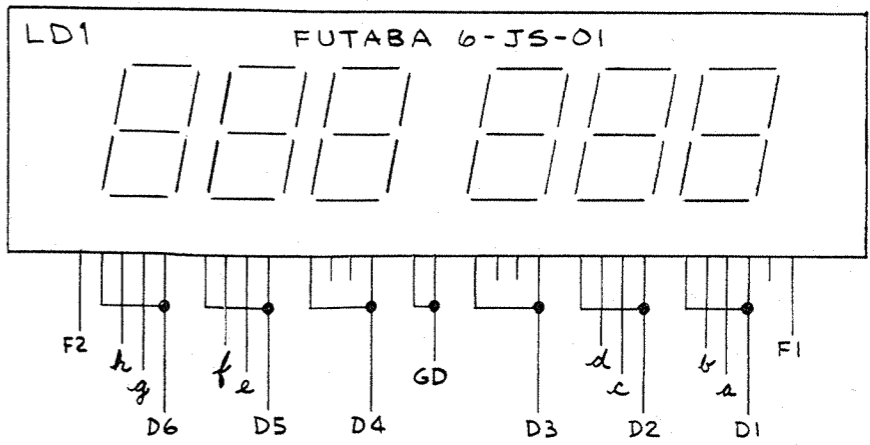
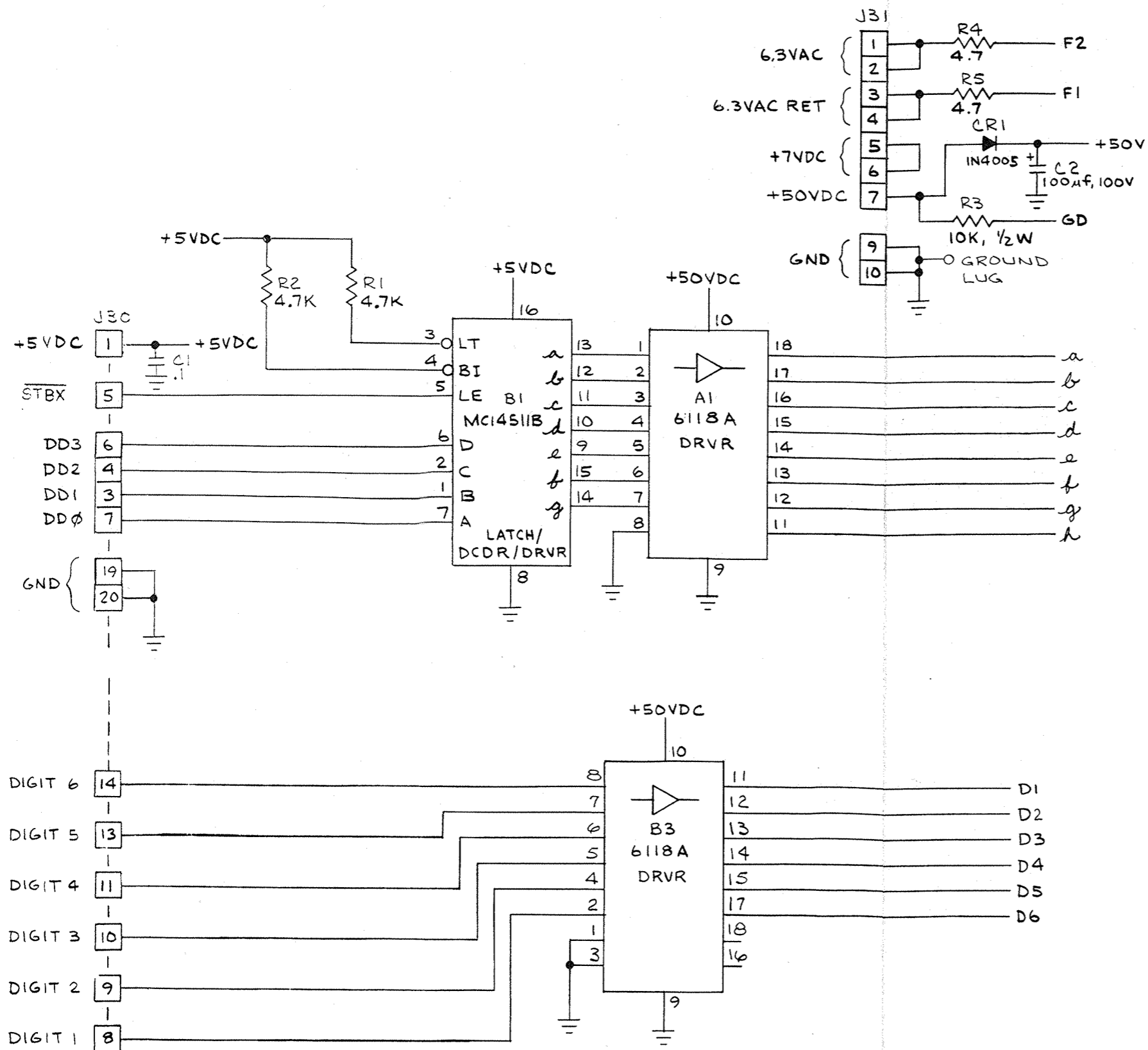


NOTES:

1. RESISTORS ARE IN OHMS, 1/4 W, ±5%.
2. DIODES ARE IN 914'S.

NOTICE TO ALL PERSONS RECEIVING THIS DRAWING
 CONFIDENTIAL: Reproduction forbidden without the
 specific written permission of Atari, Inc., Sunnyvale,
 California. This drawing is only conditionally issued, and
 neither receipt nor possession thereof confers or transfers
 any right in, or license to use, the subject matter of the
 drawing or any design or technical information shown
 thereon, nor any right to reproduce this drawing or any part
 thereof, except for manufacture by vendors of Atari, Inc.,
 incorporated and for manufacture under the corporation's writ-
 ten license, no right to reproduce this drawing is granted
 or the subject matter thereof unless by written agreement
 with or written permission from the corporation.

LED Display Driver P.C.B.
 Schematic Diagram
 020853-01 A



NOTICE TO ALL PERSONS RECEIVING THIS DRAWING
CONFIDENTIAL. Reproduction forbidden without the
specific written permission of Atari, Inc., Sunnyvale,
California. This drawing is only conditionally issued, and
neither receipt nor possession thereof confers or transfers
any right in, or license to use, the subject matter of the
drawing or any design or technical information shown
thereon, nor any right to reproduce this drawing or any part
thereof, except for manufacture by vendors of Atari, Incor-
porated and for manufacture under the corporation's writ-
ten license. No right to reproduce this drawing is granted
or the subject matter thereof unless by written agreement
with or written permission from the corporation.

**Fluorescent Display Driver P.C.B.
Schematic Diagram
020877-01 A**

1. RESISTORS ARE IN OHMS, 1/4 W, ±5%